



technische import

Productinformatie



FRATELLI PETTINAROLI

BAFA.NL



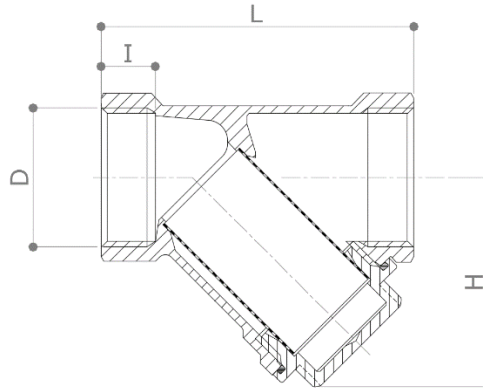
DESCRIPTION

170

Bronze Y pattern filter.

Stainless steel strainer.

DIMENSIONS



D	3/8"	1/2"	3/4"	1"	1 1/4"	1 1/2"	2"	2 1/2"	3"	4"
H	32	42	45	47	65	72	98	124	148	185
I	10.5	11	11	13	14	14	16	21	21	28
L	54	65	85	92	105	115	131	147	167	226
Weight (g)	250	250	360	450	744	915	1560	2765	3715	6700

Dimensions in mm

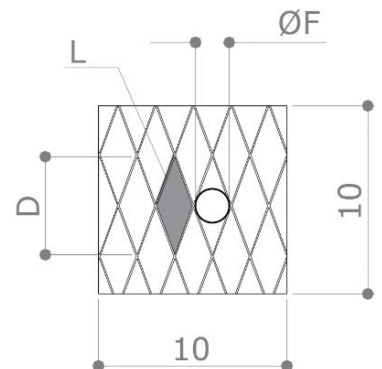
All threads are conform to ISO 228 standard

MATERIALS

Body	Bronze: EN 1982 - CuSn5ZnPb5-c
Cap	Brass: CW617N (EN 12165) CuZn40Pb2
Strainer	Stainless steel: AISI 304
Washer	Fiber

STRAINER SPECIFICATIONS

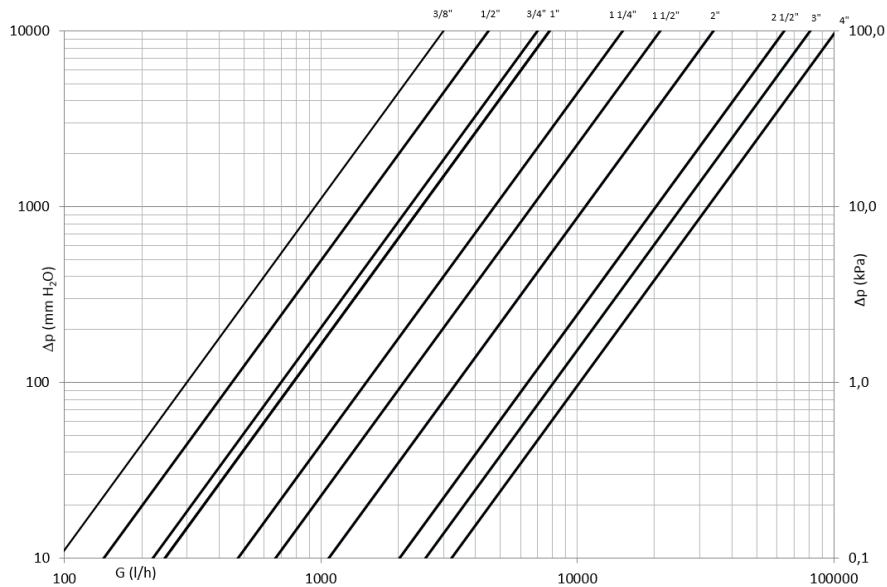
n° holes / cm ²	65	70	50
L	0.18 mm ²	0.25 mm ²	0.64 mm ²
D	1.0 mm	1.0 mm	1.0 mm
ØF	0.40 mm (400 µm)	0.50 mm (500 µm)	0.80 mm (800 µm)
Size	3/8" - 1"	1 1/4" - 2"	2" - 4"



APPROVALS



PRESSURE DROP DIAGRAM



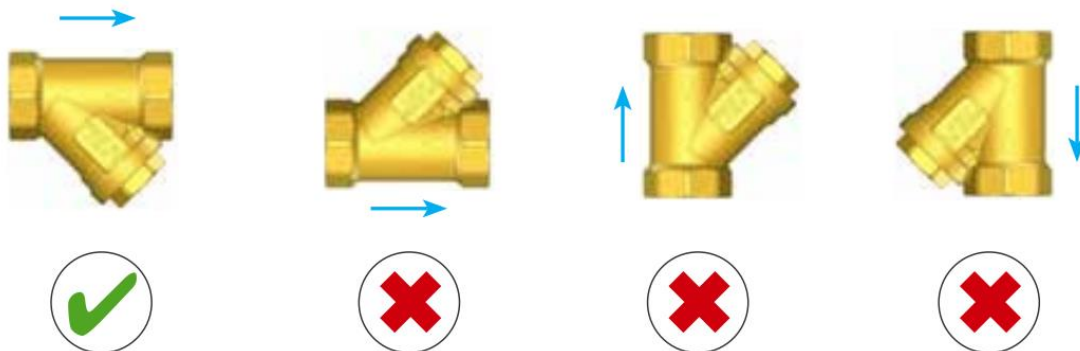
Dim.	3/8"	1/2"	3/4"	1"	1 1/4"	1 1/2"	2"	2 1/2"	3"	4"
Kv	3.5	4.5	5.7	7.9	16	23	36	65	83	100
PN	16	16	16	16	16	16	16	16	16	16

RECOMMENDED WORKING PRESSURE/TEMPERATURE LIMITS

16 bar - 110°C - non shock

FILTER INSTALLATION

Install the filter as shown by the following picture. Blue arrows state the flow direction of the fluid.



FILTER MAINTENANCE

Higher the quantity of dirt in the flow, more frequent the filter maintenance. By the way, a yearly cleaning of the filter is suggested in order to avoid higher pressure drop and irreversible scales on the strainer. The filter cleaning has to be carried out according to the following steps:

- Close the filter isolation valves;
- Open the cap and take the strainer out;
- Clean the strainer in running water using a brush with plastic bristles;
- Visual check of the strainer (when the strainer is broken or there are irreversible scales, please substitute the strainer)
- Put the strainer in the cap and screw the cap in the filter body;
- Open the filter isolation valves.

WARNING: in case of new systems or, in general, when it is filled, a filter cleaning is suggested after one-week run in order to remove scales due to installation and commission dirt.





technische import

Nijverheidsweg 11
7005 AS Doetinchem
T. +31 (0)314-344342
E. info@bafa.nl

BAFA.NL