



**technische import**

# Productinformatie



FRATELLI PETTINAROLI

**BAFA.NL**



## DESCRIPTION

### 184GO

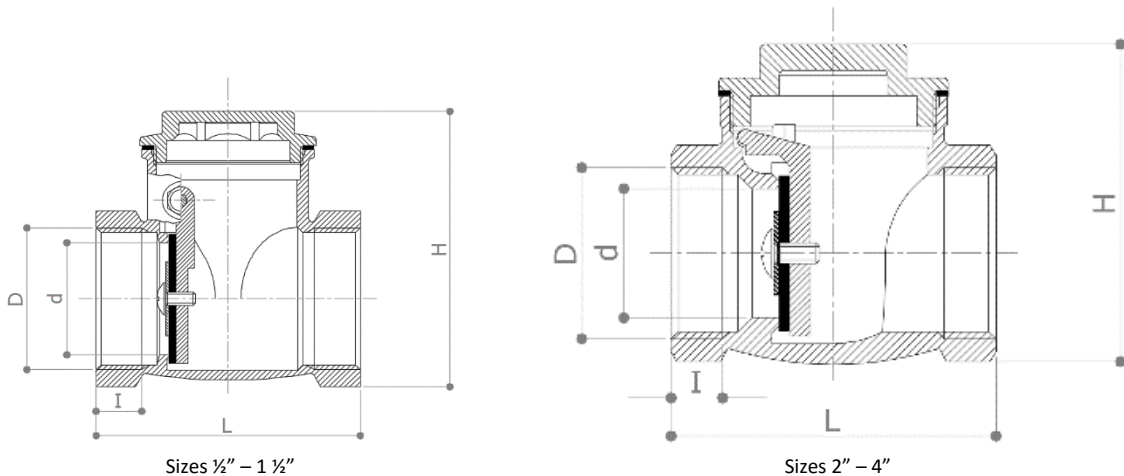
Brass swing check valve F x F rubber disc.

## DIMENSIONS

D	½"	¾"	1"	1 ¼"	1 ½"	2"	2 ½"	3"	4"
d	15	20	25	30	35	47	55	70	90
H	50	63	69	82	92	94	107	130	159
I	10	10	12	12	12	11	16	16	20
L	48	58	70	81	88	97	118	135	164
Weight [g]	200	330	490	490	890	1040	1590	2440	3850

Dimensions in mm

All threads are conform to ISO 7 or ISO 228 standards



## MATERIALS

<b>Body</b>	CW617N (UNI EN 12165) CuZn40Pb2
<b>Cap</b>	CW617N (UNI EN 12165) CuZn40Pb2
<b>Disc</b>	CW617N (UNI EN 12165) CuZn39Pb3
<b>Disc seal</b>	NBR
<b>Cap seal</b>	Fiber
<b>Screw</b>	CW614N (UNI EN 12164) CuZn40Pb2
<b>Washer</b>	Steel AISI 304

## APPROVALS

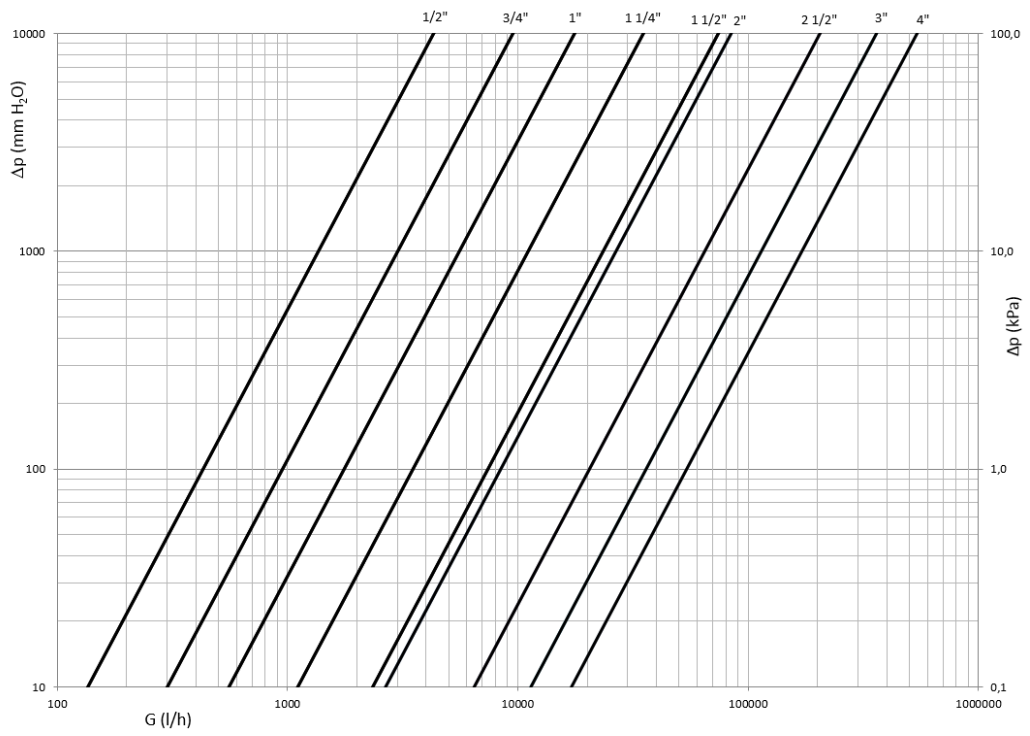


## RECCOMENDED WORKING PRESSURE / TEMPERATURE LIMITS

10 bar – 100°C – non shock (1/2" – 2")

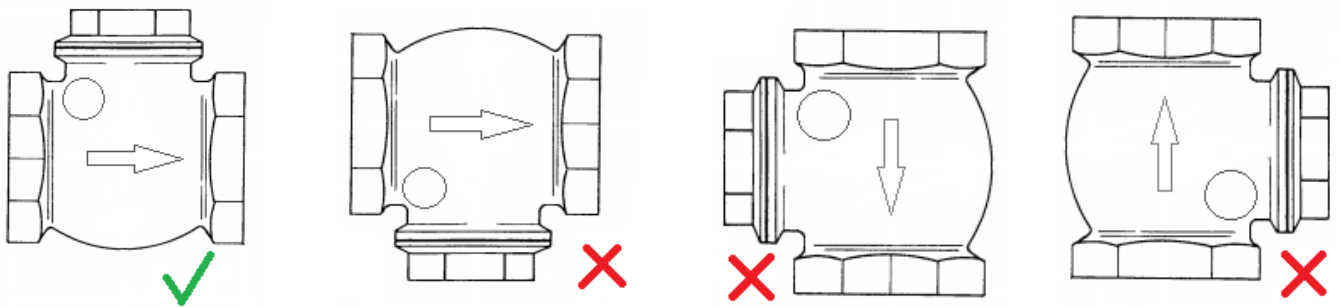
6 bar – 100°C – non shock (2 ½" – 4")

**PRESSURE DROP DIAGRAM**



Dim.	1/2"	3/4"	1"	1 1/4"	1 1/2"	2"	2 1/2"	3"	4"
Kv	4.3	9.5	17.6	35	74	83	204	360	540
PN	10	10	10	10	10	10	6	6	6

**EXAMPLE OF INSTALLATION**



Installation on horizontal pipes is mandatory. The cap must be directed upward.



# **technische import**

Nijverheidsweg 11  
7005 AS Doetinchem  
T. +31 (0)314-344342  
E. [info@bafa.nl](mailto:info@bafa.nl)

**BAFA.NL**