



technische import

Productinformatie



FRATELLI PETTINAROLI

BAFA.NL



DESCRIPTION

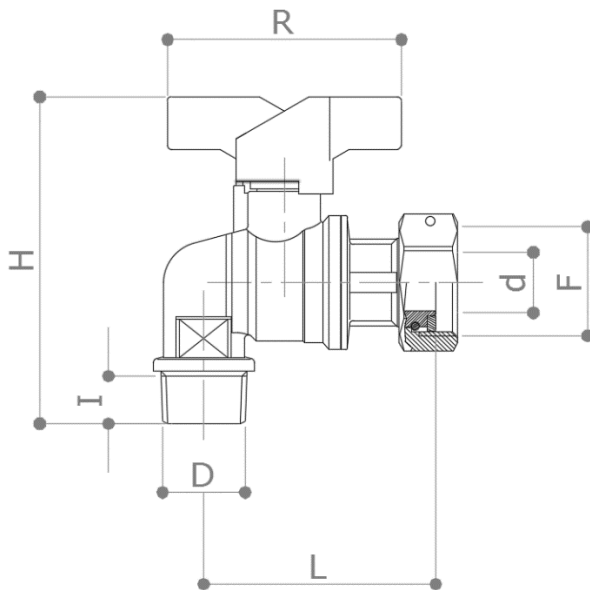
209/1

F (free nut) x M angle ballvalve for water meter. Anti-legionella ball with additional bore on the bottom to avoid water stagnation in the space between the ball and the body. Red butterfly handle. Nickel plated.

Available with blue butterfly handle **209B/1**.

Conform to **EN 13828**

DIMENSIONS



F x D	3/4" x 1/2"	3/4" x 3/4"
d	15	15
H	80	83
I	13	15
L	57.5	57.5
R	58	58
Weight [g]	270	285

Dimensions in **mm**

All threads are conform to ISO 7 or ISO 228 standards

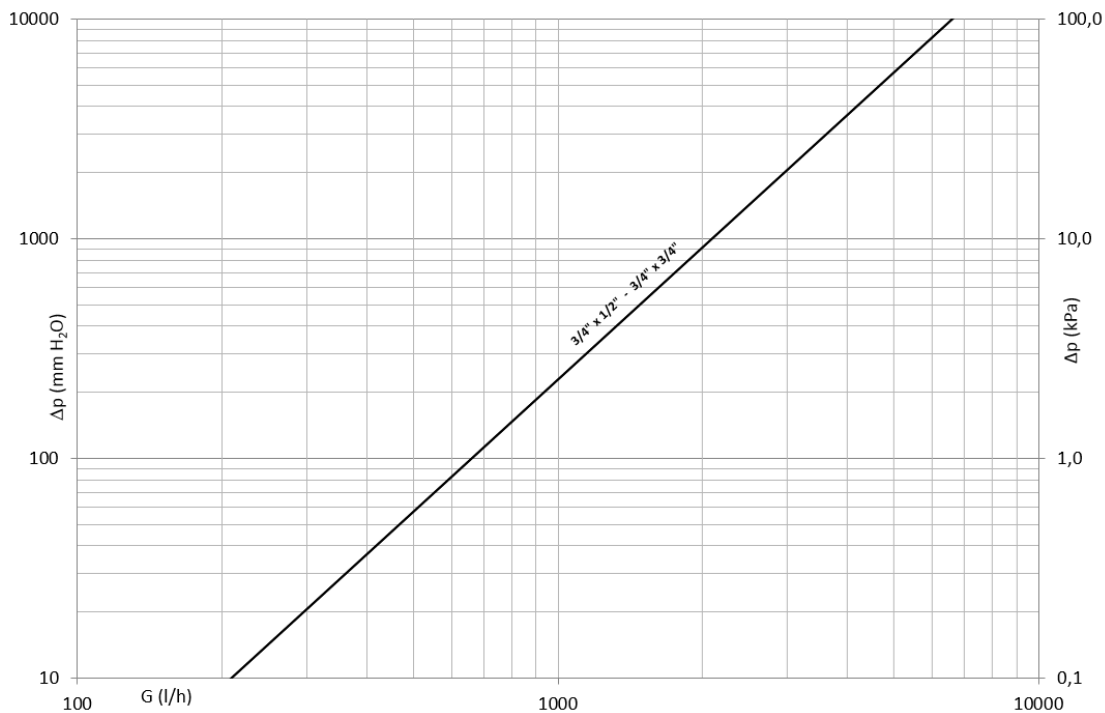
MATERIALS

Body	CW617N (EN 12165) CuZn40Pb2
Ball	CW617N (EN 12165) CuZn40Pb2 T.E.A. plated
Stem	CW614N (EN 12164) CuZn39Pb3
Stuffing box	CW614N (EN 12164) CuZn39Pb3 Adjustable
Free nut	CW617N (EN 12165) CuZn40Pb2
Seat	2 x PTFE + 1 x PTFE seal on the stem
O-Rings	2 x FKM
Gasket	EPDM-x
Handle	Painted aluminum

APPROVALS

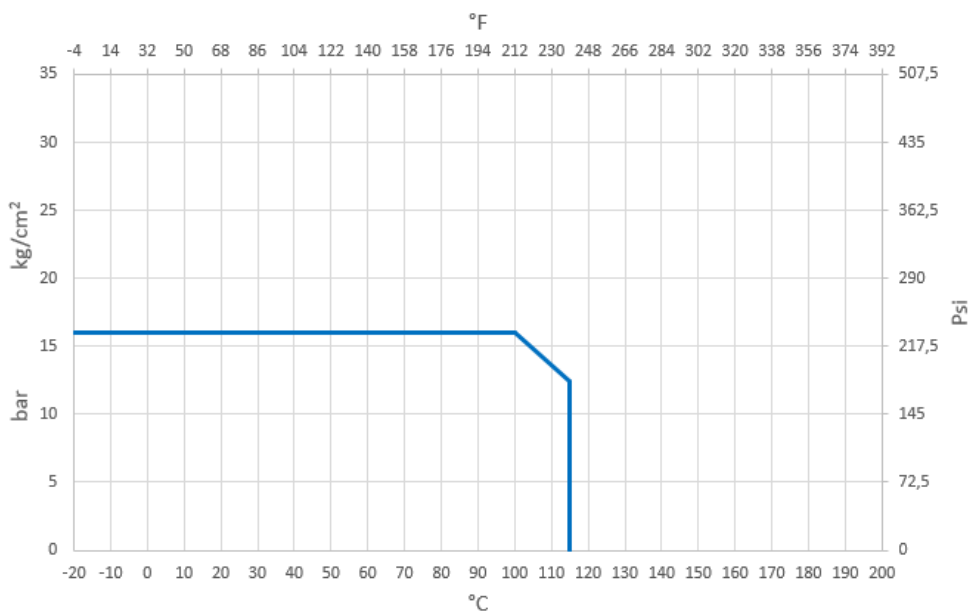


PRESSURE DROP DIAGRAM



Dim.	3/4" x 1/2"	3/4" x 3/4"
Kv	6.6	6.6
PN	16	16

TEMPERATURE / PRESSURE DIAGRAM



RECOMMENDED WORKING TEMPERATURE/PRESSURE LIMITS

16 bar – 100°C – non shock



technische import

Nijverheidsweg 11
7005 AS Doetinchem
T. +31 (0)314-344342
E. info@bafa.nl

BAFA.NL