



technische import

Productinformatie



FRATELLI PETTINAROLI

BAFA.NL

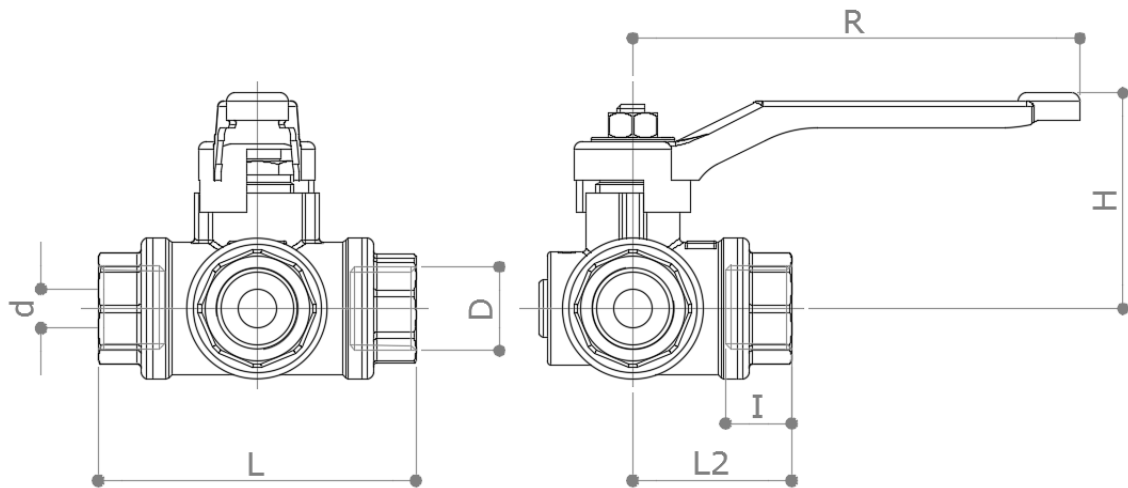


DESCRIPTION

240NL

F x F x F 3 way ball valve. Reduced bore compared to nominal diameter.
4 seats.
Red aluminum handle.

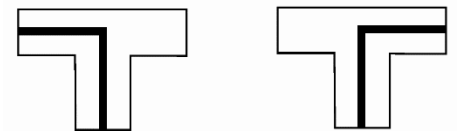
DIMENSIONS



D	3/8"	1/2"	3/4"	1"	1 1/4"	1 1/2"	2"
d	10	10	15	20	23.5	28.5	32
% of ND*	100%	66%	75%	80%	73%	71%	64%
H	52	52	55.5	64	76.5	93.5	103.5
I	18	17	18.5	20	23.5	28.5	32
L	76	82	90	106	120	142	165
L2	38	41	45	53	60	72	82.5
R	115	115	115	150	150	240	240
Weight [g]	650	655	840	1430	2030	3750	5650

L CONFIGURATION OF THE BALL

Ball with 2 bores, with L configuration



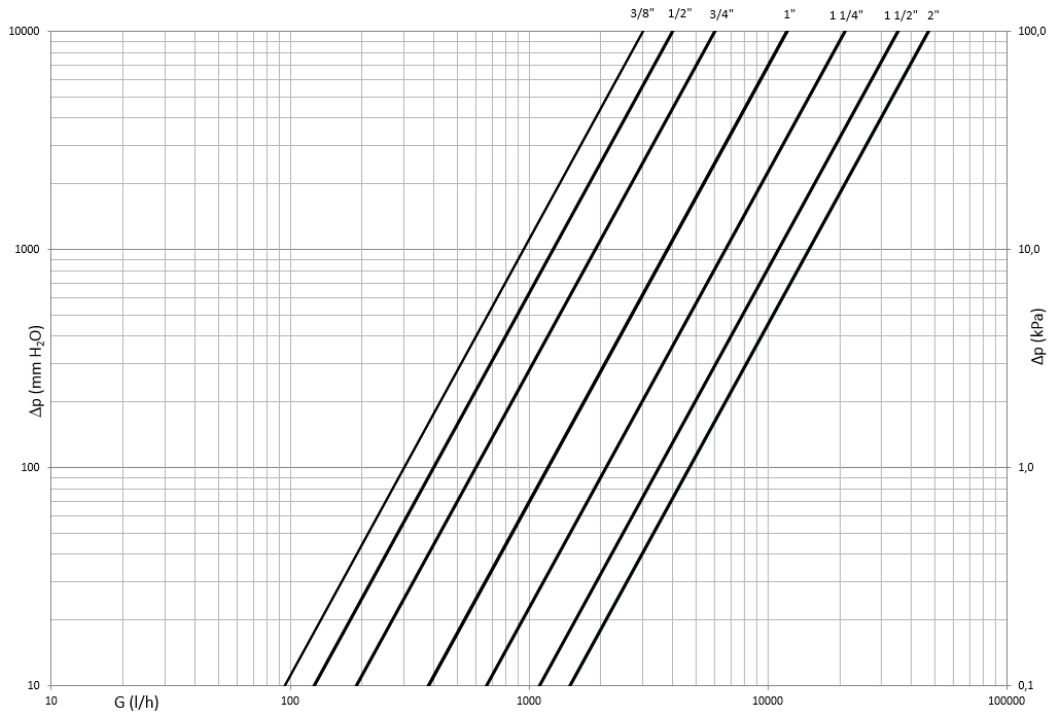
Dimensions in mm / *ND = Nominal Diameter
All threads are conform to ISO 228 standard

MATERIALS

Body	CW617N (EN 12165) CuZn40Pb2
Ball	CW614N (EN 12164) CuZn39Pb3 Chrome plated
Stem	CW614N (EN 12164) CuZn39Pb3
Stuffing box	CW614N (EN 12164) CuZn39Pb3 Adjustable
Seat	4 x PTFE + 1 x PTFE seal on the stem**
O-Rings	4 x FKM + 1 x FKM on the stem
Handle	Aluminum with red plastic cover

**PTFE seat absent on 1 1/2" and 2" sizes
(watertight seal ensured by double O-Ring)

PRESSURE DROP DIAGRAM



Dim.	3/8"	1/2"	3/4"	1"	1 1/4"	1 1/2"	2"
Kv	3	4	6	12	21	35	47
PN	35	35	35	35	28	28	28

RECOMMENDED WORKING TEMPERATURE/PRESSURE LIMITS

28 bar – 100°C – non shock

APPROVALS





technische import

Nijverheidsweg 11
7005 AS Doetinchem
T. +31 (0)314-344342
E. info@bafa.nl

BAFA.NL