



technische import

Productinformatie



FRATELLI PETTINAROLI

BAFA.NL



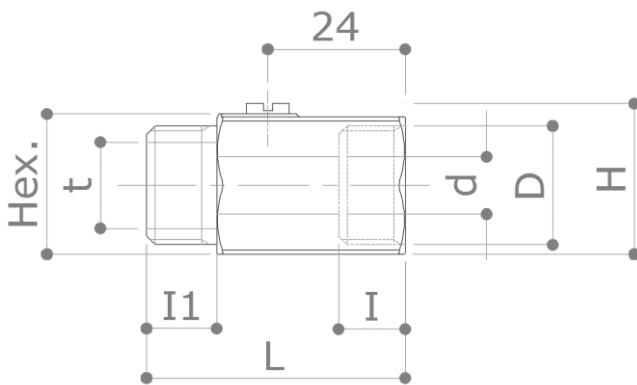
DESCRIPTION

377S

F x M nickel plated mini ballvalve.
Screwdriver slot

Conform to **EN 13828**

DIMENSIONS



D	1/2"
Hex.	24
d	10
H	41
t	15
I	12
I1	12
L	45
Weight [g]	105

Dimensions in **mm**

All threads are conform to ISO 7 or ISO 228 standard

MATERIALS

Body	CW617N (EN 12165) CuZn40Pb2
Ball	CW617N (EN 12165) CuZn40Pb2 Chrome plated
Stem	CW617N (EN 12165) CuZn40Pb2
Stuffing box	CW617N (EN 12165) CuZn40Pb2
Seat	1 x PTFE
O-Rings	EPDM - PEROX
Handle	CW617N (EN 12165) CuZn40Pb2

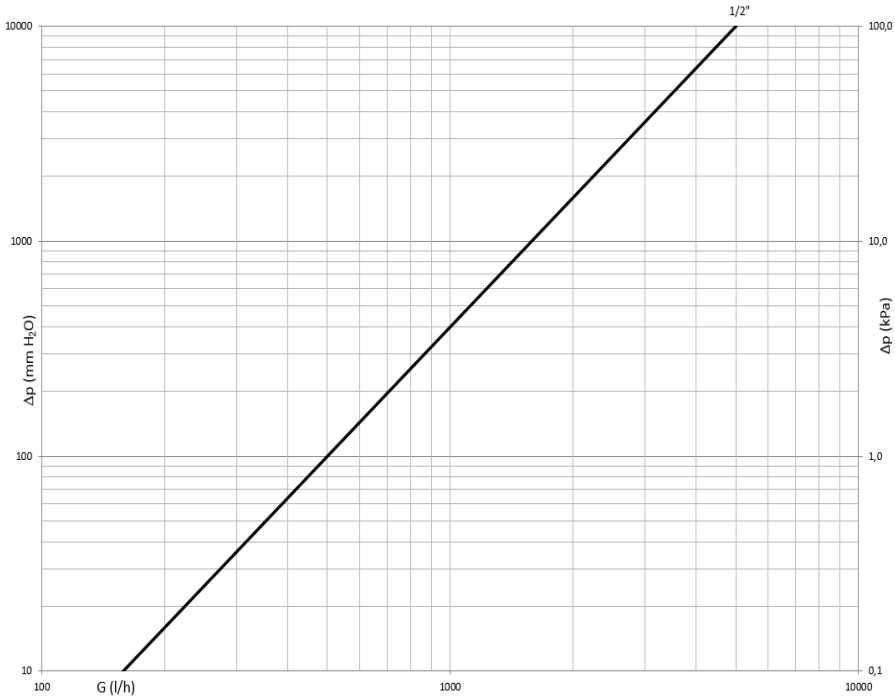
APPROVALS



RECOMMENDED WORKING TEMPERATURE/PRESSURE LIMITS

10 bar – 80°C – non shock

PRESSURE DROP DIAGRAM



Dim.	1/2"
Kv	5
PN	10



technische import

Nijverheidsweg 11
7005 AS Doetinchem
T. +31 (0)314-344342
E. info@bafa.nl

BAFA.NL