



technische import

Productinformatie



FRATELLI PETTINAROLI

BAFA.NL



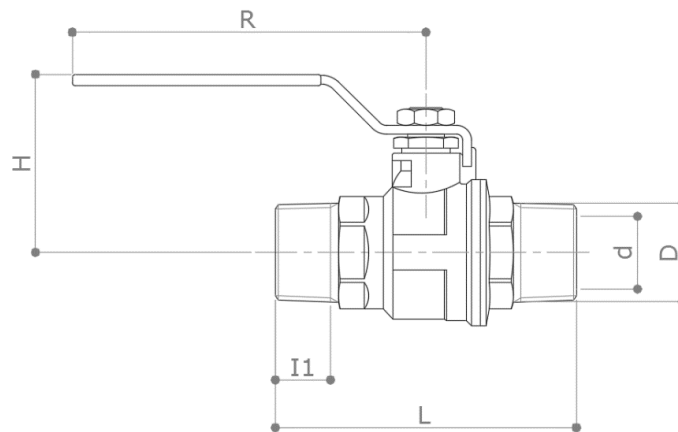
DESCRIPTION

51/2

M x M heavy duty full-flow ball valve. Nickel plated.
Reversible red steel handle.

Conform to **EN 13828**

DIMENSIONS



D	¼"	3/8"	½"	¾"	1"	1 ¼"	1 ½"	2"
d	10	10	15	20	25	32	40	50
H	36	36	39	49	61	66	82	89
I1	11.5	12	17	18	21.5	23.5	23.5	28
L	68	62	77.5	89	103	116	128	151
R	75	75	75	95	120	120	150	150
Weight [g]	160	140	225	380	640	950	1495	2440

Dimensions in **mm**

All threads are conform to ISO 7 or ISO 228 standards

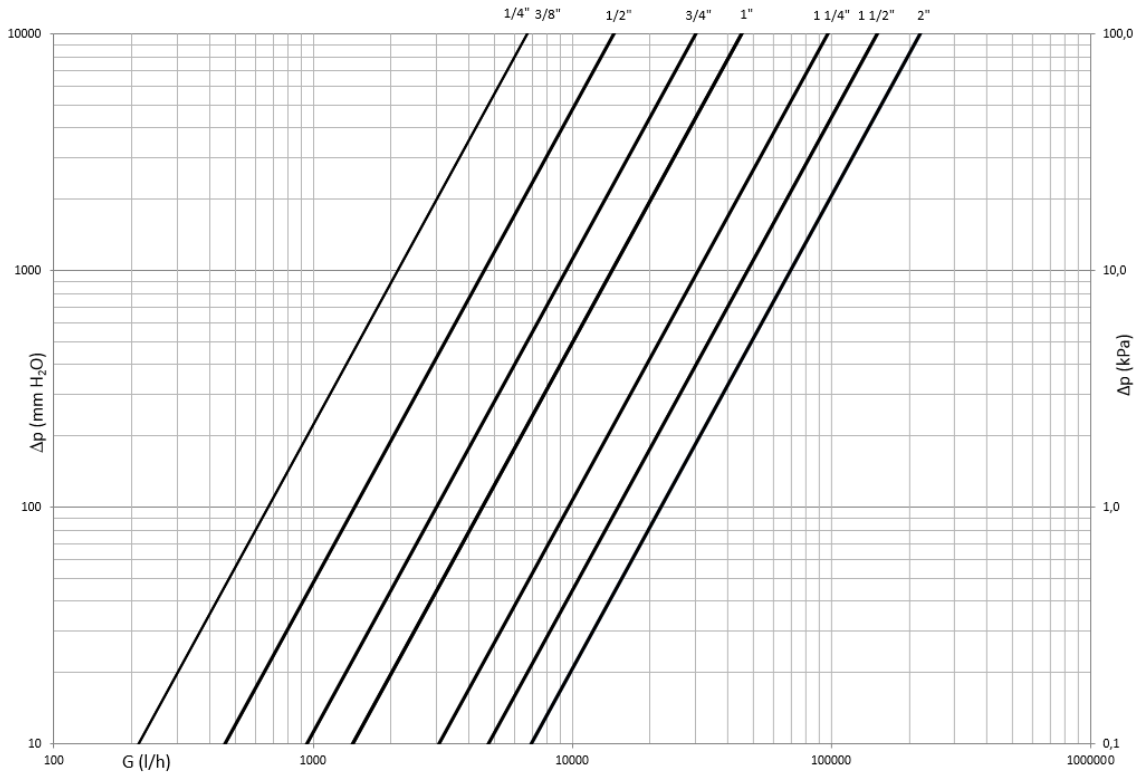
MATERIALS

Body	CW617N (EN 12165) CuZn40Pb2
Ball	CW617N (EN 12165) CuZn40Pb2 Chrome plated
Stem	CW614N (EN 12164) CuZn39Pb3
Stuffing box	CW614N (EN 12164) CuZn39Pb3 Adjustable
Seat	2 x PTFE + 1 x PTFE seal on the stem
O-Rings	2 x FKM
Handle	Delta Protect coated steel. PVC grip with "Pad printing"

APPROVALS

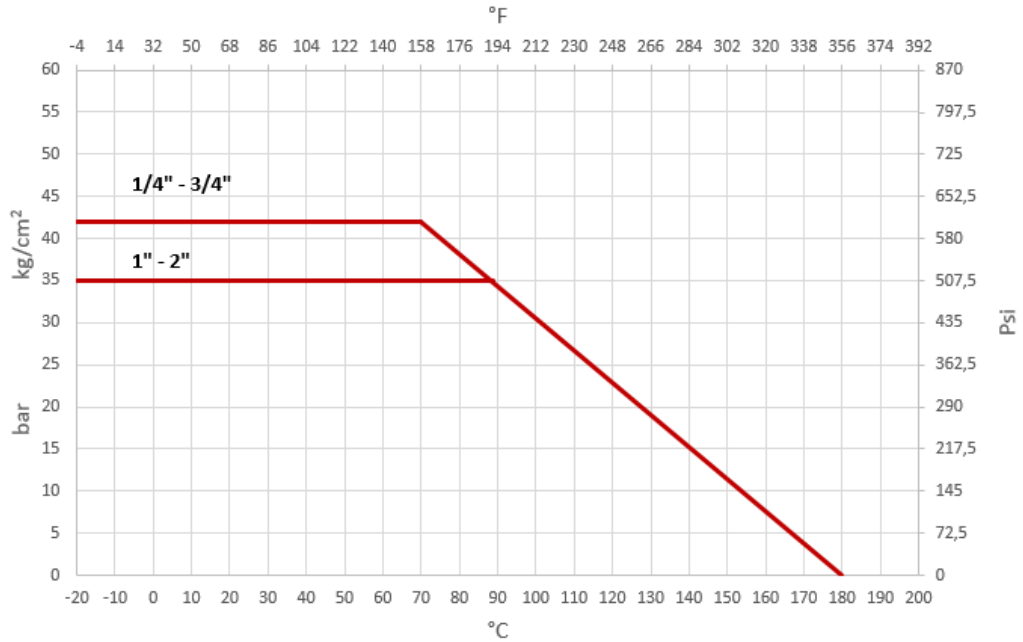


PRESSURE DROP DIAGRAM



Dim.	1/4"	3/8"	1/2"	3/4"	1"	1 1/4"	1 1/2"	2"
Kv	6.6	6.7	14.5	30	45	97	150	220
PN	42	42	42	42	35	35	35	35

TEMPERATURE / PRESSURE DIAGRAM



RECOMMENDED WORKING TEMPERATURE/PRESSURE LIMITS

30 bar – 100°C – non shock

10 bar – 150°C – non shock



technische import

Nijverheidsweg 11
7005 AS Doetinchem
T. +31 (0) 314-344342
E. info@bafa.nl

BAFA.NL