



technische import

Productinformatie



FRATELLI PETTINAROLI

BAFA.NL



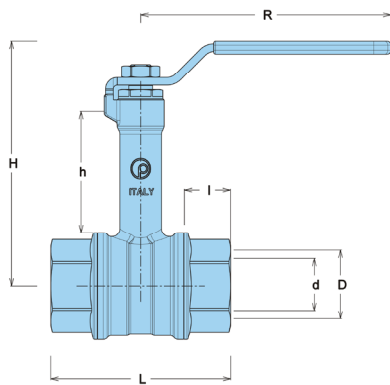
DESCRIPTION

51L

F x F Heavy duty fullway ball valve.
With extended neck.
Green steel lever.

According to EN 13828

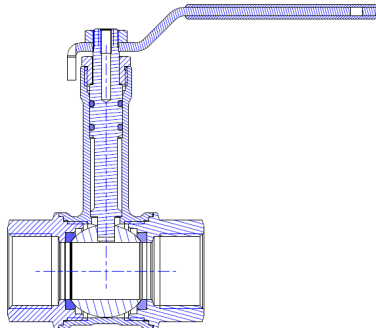
DIMENSIONS



D	1/2"	3/4"	1"	1 1/4"	1 1/2"	2"
d	15	20	25	32	40	50
H	84,5	94,5	110	115	135,5	144
h	45	45	50	50	55	55
I	62	69	84	96	106	127
L	17	18	21,5	23,5	23,5	28
R	75	95	120	120	150	150
Acc.	1	2	3	3	4	4
g	320	440	800	1125	1730	2579

All threads are in accordance with ISO 7/1 or ISO 228

MATERIALS



Body	CuZn36Pb2As Cw602N (DIN 50930 part.6) TEA finished
Ball	CuZn40Pb2 Cw617N (DIN 50930 part.6) Diamond polished and TEA finished
Spindle	CuZn36Pb2As Cw602N (DIN 50930 part.6)
Stuffing box	CuZn39Pb3 Cw614N (DIN 50930 part.6) Adjustable
Seats	PTFE
O-rings	2 x EPDM
Handle	Galvanised steel PVC grip with "Pad Printing"

TAIL VARIANTS

51L F X F, green steel lever

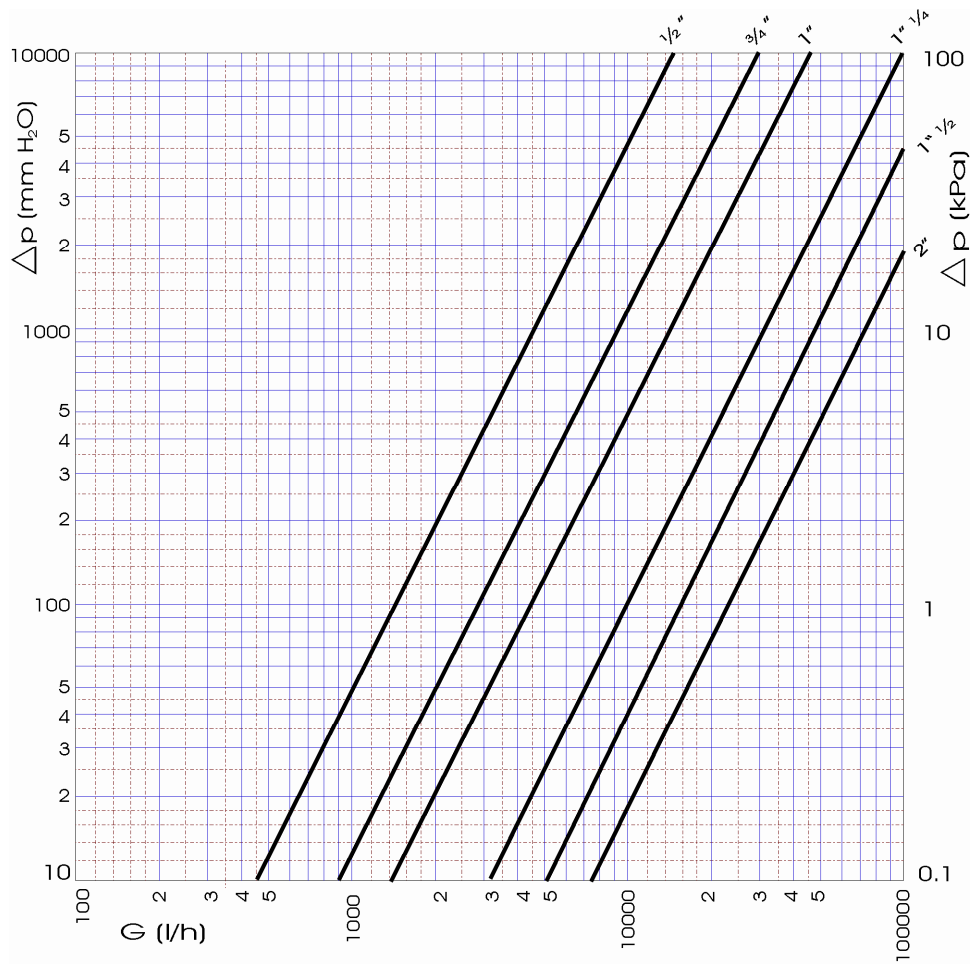
HANDLE VARIANTS

51L F X F, green steel lever

APPROVALS

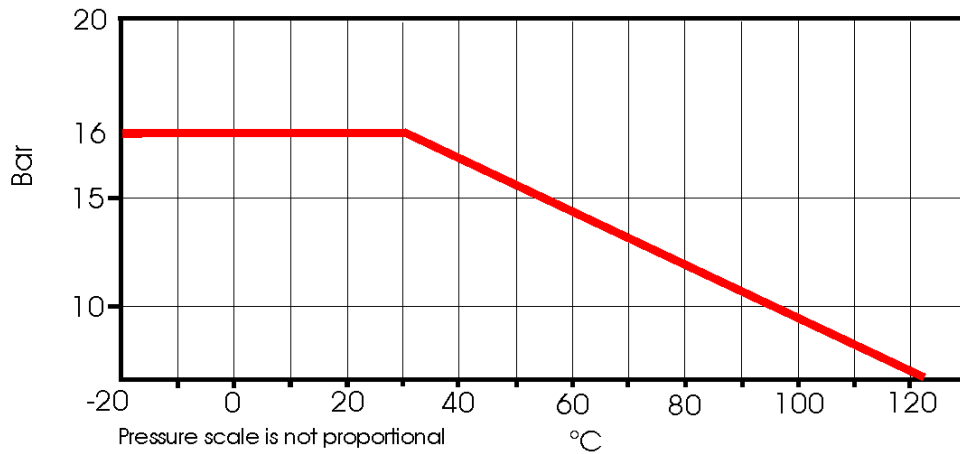


PRESSURE DROP DIAGRAM



Dim.	1/2"	3/4"	1"	1 1/4"	1 1/2"	2"
Kv	14.5	30	45	97	150	220
PN	42	42	35	35	35	35

RECOMMENDED WORKING TEMPERATURE/ PRESSURE LIMIT



16 bar - 30°C - non shock
 10 bar - 95°C - non shock



technische import

Nijverheidsweg 11
7005 AS Doetinchem
T. +31 (0)314-344342
E. info@bafa.nl

BAFA.NL