



technische import

Productinformatie



FRATELLI PETTINAROLI

BAFA.NL



DESCRIPTION

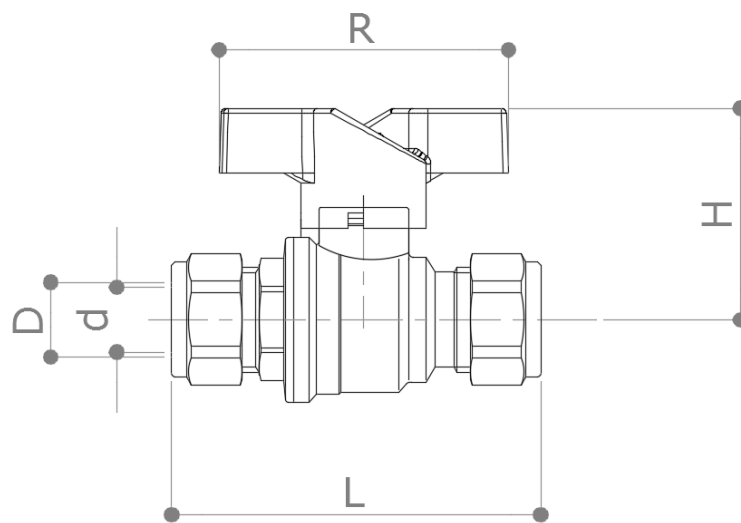
52CRF

Compression ends heavy duty full-flow ball valve; corrosion resistant alloy (ADZ or DZR). Compression ends comply BS864.2 – EN1254-2 standards. Nickel plated.

Red butterfly handle.

Conform to **EN 13828**

DIMENSIONS



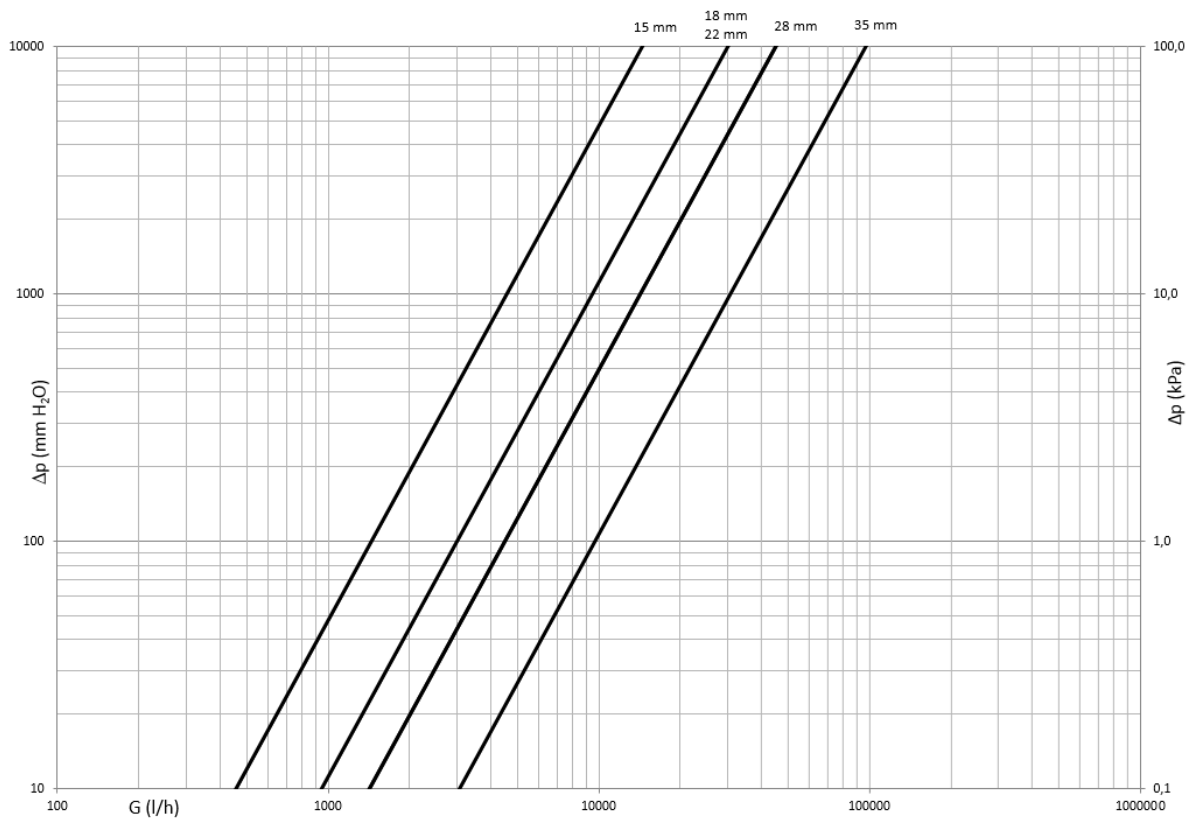
D	15 mm	18 mm	22 mm	28 mm	35 mm
d	15	20	20	25	32
H	46	55.5	55.5	56	71
L	74	81.5	81.5	91	106
R	50	65	65	75	75
Weight [g]	240	360	390	640	970

Dimensions in mm

MATERIALS

Body	CW602N (EN 12167) CuZn36Pb2As
Ball	CW602N (EN 12167) CuZn36Pb2As Chrome plated
Stem	CW602N (EN 12167) CuZn36Pb2As
Stuffing box	CW614N (EN 12164) CuZn39Pb3 Adjustable
Compression end	CW602N (EN 12167) CuZn36Pb2As
Seat	2 x PTFE + 1 x PTFE seal on the stem
O-Rings	2 x FKM
Handle	Painted aluminum

PRESSURE DROP DIAGRAM



Dim.	15 mm	18 mm	22 mm	28 mm	35 mm
Kv	14.5	30	30	45	97
PN	16	16	16	16	16

RECOMMENDED WORKING TEMPERATURE/PRESSURE LIMITS

16 bar – 30°C – non shock

6 bar – 110°C – non shock

APPROVALS





technische import

Nijverheidsweg 11
7005 AS Doetinchem
T. +31 (0)314-344342
E. info@bafa.nl

BAFA.NL