



**technische import**

# Productinformatie



FRATELLI PETTINAROLI

**BAFA.NL**



## DESCRIPTION

# 53EUS

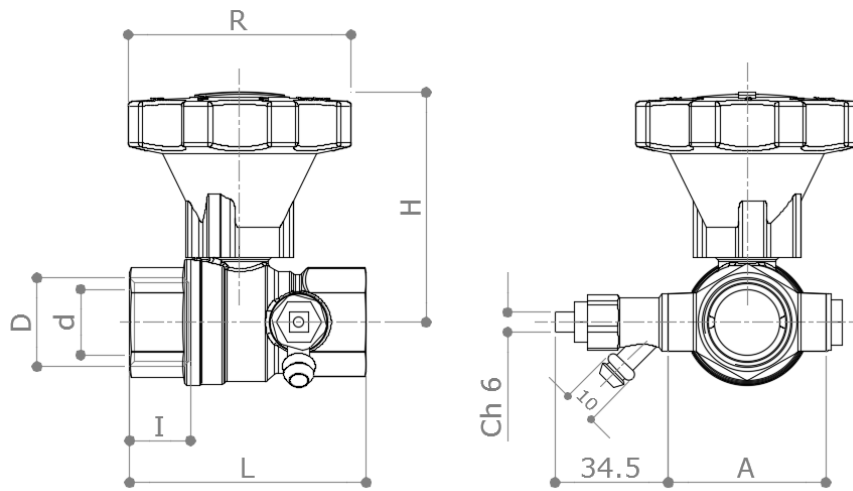
F x F full-flow ball valve, low emission of lead and nickel, with thread ¼" drain off which can be installed on both the valve sides. Unused drain off exit is plugged by the supplied cap.

Plastic handle with gear reducer.

Anti-legionella ball with additional bore on the bottom: it can prevent the water stagnation.

Conform to **EN 13828**

## DIMENSIONS



D	½"	¾"	1"	1 ¼"
d	15	20	25	32
H	66	72	78	83
I	17	18	21.5	23.5
L	65.5	73.5	87.5	100
R	70	70	70	70
A	43	48	56	65
Weight [g]	340	470	730	1040

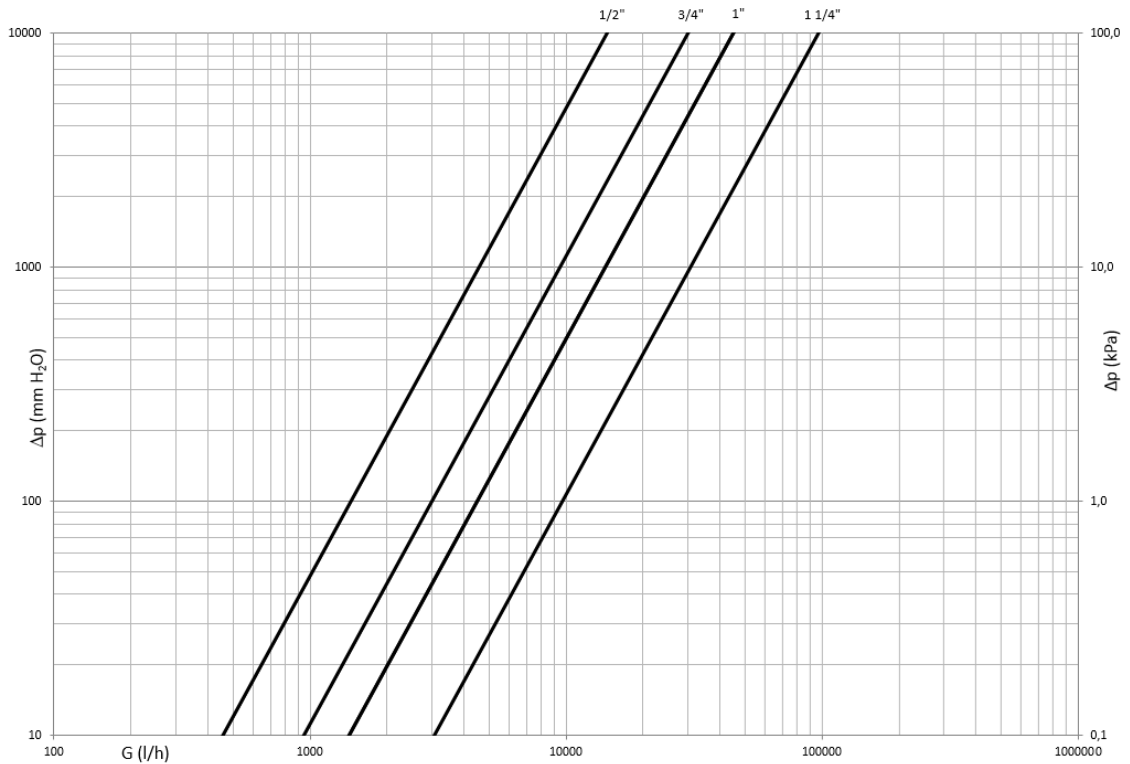
Dimensions in **mm**

All threads are conform to ISO 7 or ISO 228 standards

## MATERIALS

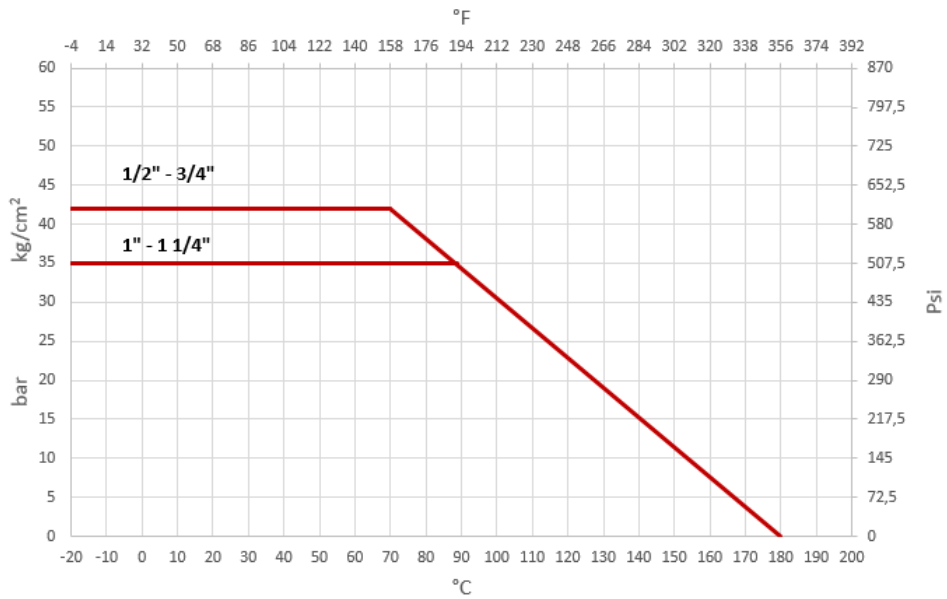
<b>Body</b>	CW617N (EN 12165) CuZn40Pb2 T.E.A.
<b>Ball</b>	CW617N (EN 12165) CuZn40Pb2 T.E.A.
<b>Stem</b>	CW614N (EN 12164) CuZn39Pb3
<b>Stuffing box</b>	CW614N (EN 12164) CuZn39Pb3 Adjustable
<b>Drain-off</b>	CW617N (EN 12165) CuZn40Pb2 T.E.A.
<b>Cap</b>	CW614N (EN 12164) CuZn39Pb3 T.E.A.
<b>Seat</b>	2 x PTFE + 1 x PTFE seal on the stem
<b>O-Rings</b>	2 x FKM
<b>Cap and drain-off seal</b>	2 x fiber
<b>Handle</b>	Nylon fiber

**PRESSURE DROP DIAGRAM**



Dim.	1/2"	3/4"	1"	1 1/4"
Kv	14.5	30	45	97
PN	42	42	35	35

**TEMPERATURE / PRESSURE DIAGRAM**



**RECOMMENDED WORKING TEMPERATURE/PRESSURE LIMITS**

30 bar – 100°C – non shock  
 10 bar – 150°C – non shock

**APPROVALS**





# **technische import**

Nijverheidsweg 11  
7005 AS Doetinchem  
T. +31 (0)314-344342  
E. [info@bafa.nl](mailto:info@bafa.nl)

**BAFA.NL**