



technische import

Productinformatie



FRATELLI PETTINAROLI

BAFA.NL



DESCRIPTION

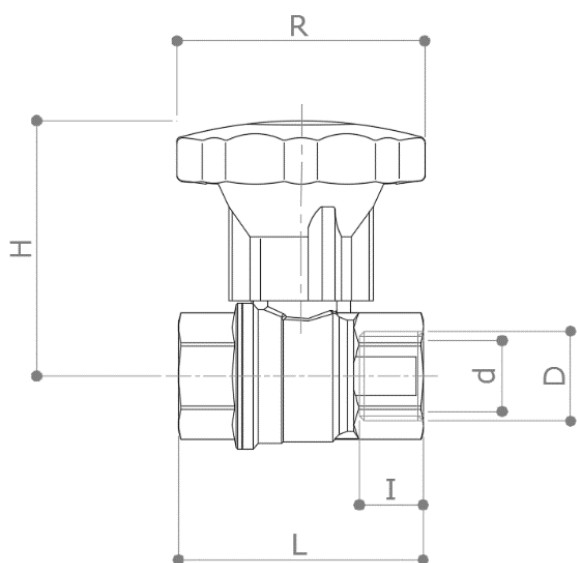
53NDA

F x F heavy duty full-flow ball valve with reducer (gear handle).

Corrosion resistant alloy (ADZ or DZR).

Conform to **EN 13828**

DIMENSIONS



D	3/8"	1/2"	3/4"	1"	1 1/4"	1 1/2"	2"
d	10	15	20	25	32	40	50
H	63	66	72	78	83	114	121
I	12	17	18	21.5	23.5	23.5	28
L	47	62	69	84	96	106	127
R	70	70	70	70	70	110	110
Weight [g]	180	260	380	660	980	1400	2250

Dimensions in mm

All threads are conform to ISO 7 or ISO 228 standards

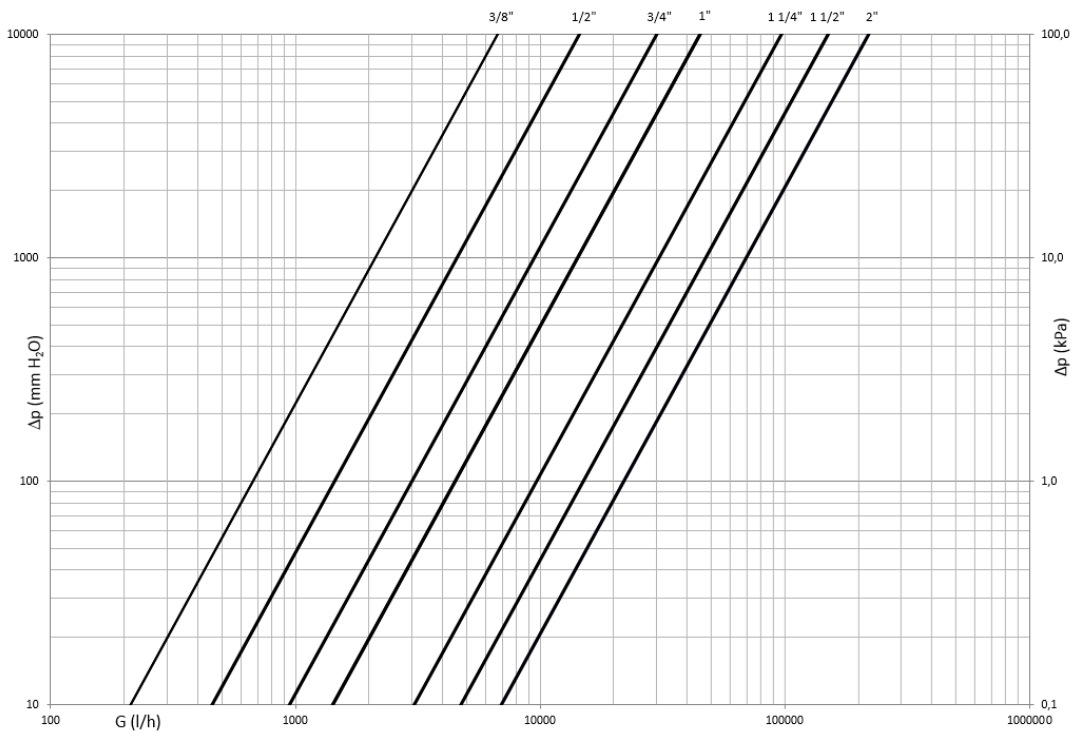
MATERIALS

Body	CW602N (EN 12167) CuZn36Pb2As
Ball	CW602N (EN 12167) CuZn36Pb2As T.E.A.
Stem	CW602N (EN 12167) CuZn36Pb2As
Stuffing box	CW614N (EN 12164) CuZn39Pb3 Adjustable
Seat	2 x PTFE + 1 x PTFE on the stem
O-Rings	2 x FKM
Lever	Nylon fiber

APPROVALS

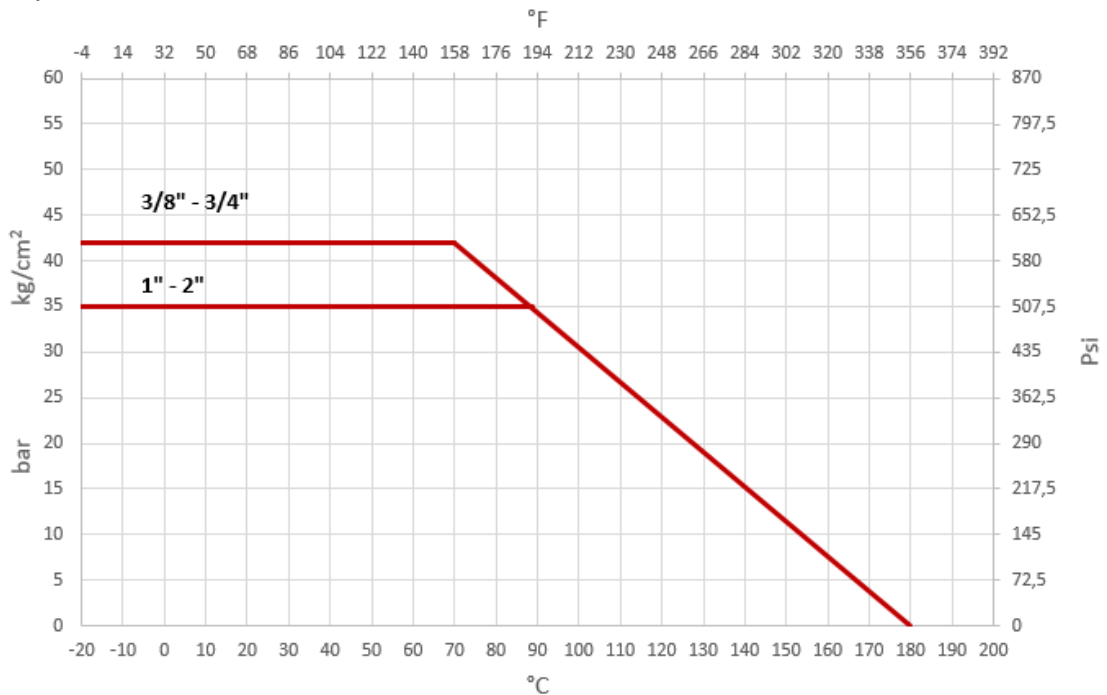


PRESSURE DROP DIAGRAM



Dim.	3/8"	1/2"	3/4"	1"	1 1/4"	1 1/2"	2"
Kv	6.7	14.5	30	45	97	150	220
PN	42	42	42	35	35	35	35

TEMPERATURE / PRESSURE DIAGRAM



RECOMMENDED WORKING TEMPERATURE/PRESSURE LIMITS

30 bar – 100°C – non shock

10 bar – 150°C – non shock



technische import

Nijverheidsweg 11
7005 AS Doetinchem
T. +31 (0)314-344342
E. info@bafa.nl

BAFA.NL