



technische import

Productinformatie



FRATELLI PETTINAROLI

BAFA.NL



Size 1/2"



Size 3/4" and 1"

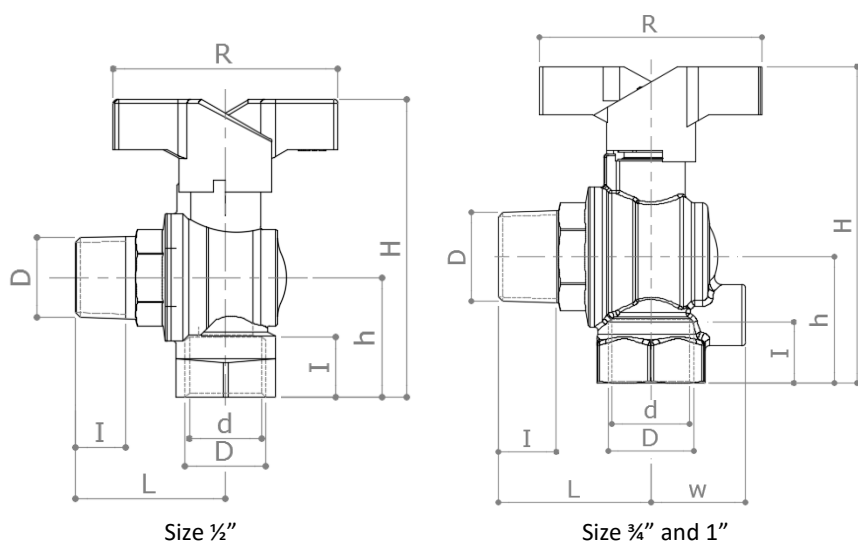
DESCRIPTION

59/9ROS

F x F heavy duty full-flow angle ball valve.
Red butterfly handle.

Conform to EN 13828

DIMENSIONS



D	1/2"	3/4"	1"
d	15	20	25
H	78	89	109
h	32	35	45
I	17	18	21.5
L	40	45	51.5
w	-	27	30.5
R	58	65	75
Weight [g]	220	350	620

Dimensions in mm

All threads are conform to ISO 7 or ISO 228 standards

MATERIALS

Body	CW617N (EN 12165) CuZn40Pb2
Ball	CW617N (EN 12165) CuZn40Pb2 Chrome plated
Stem	CW614N (EN 12164) CuZn39Pb3
Stuffing box	CW614N (EN 12164) CuZn39Pb3
Seat	2 x PTFE + 1 x PTFE seal on the stem
O-Rings	2 x FKM
Handle	Aluminum

RECOMMENDED WORKING TEMPERATURE/PRESSURE LIMITS

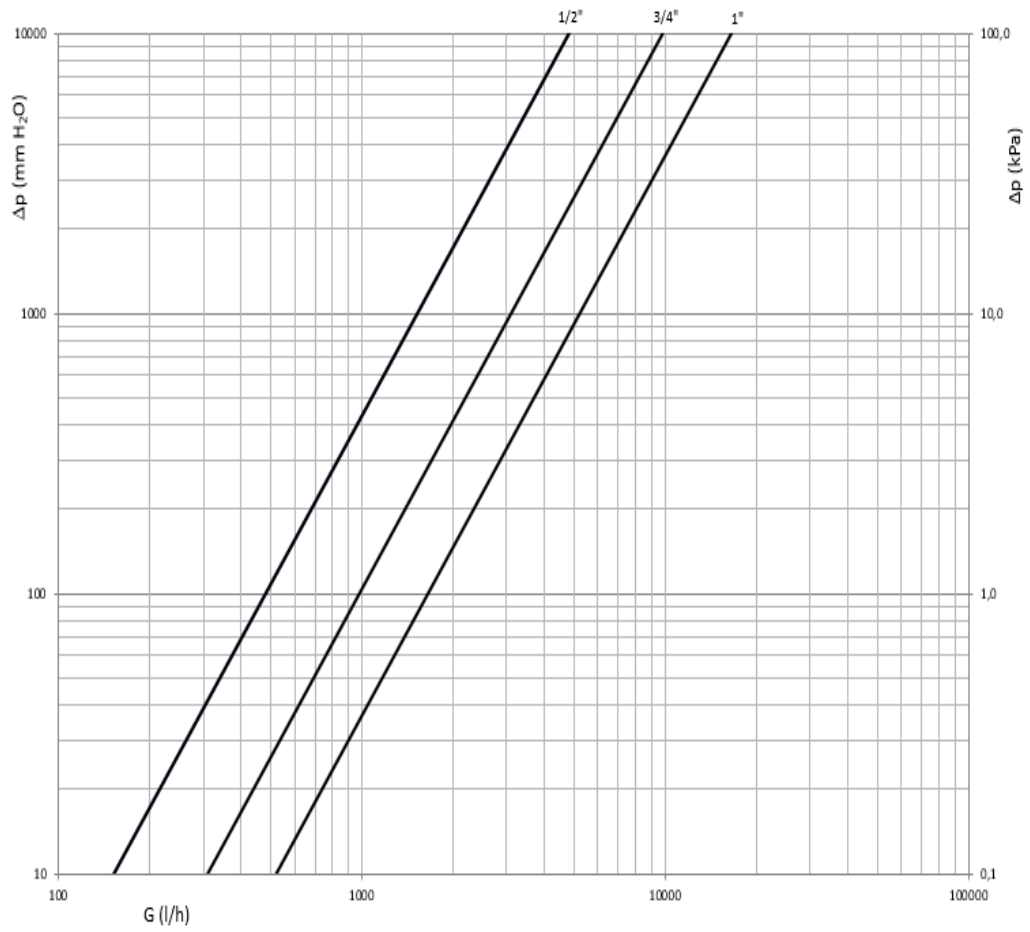
16 bar – 100°C – non shock

10 bar – 150°C – non shock

APPROVALS



PRESSURE DROP DIAGRAM



Dim.	1/2"	3/4"	1"
Kv	4.8	9.8	16.5
PN	16	16	16



technische import

Nijverheidsweg 11
7005 AS Doetinchem
T. +31 (0)314-344342
E. info@bafa.nl

BAFA.NL