

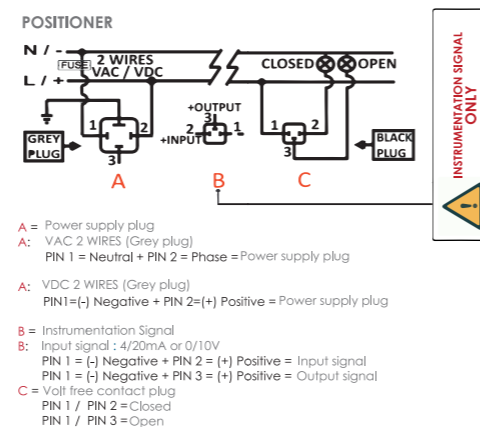
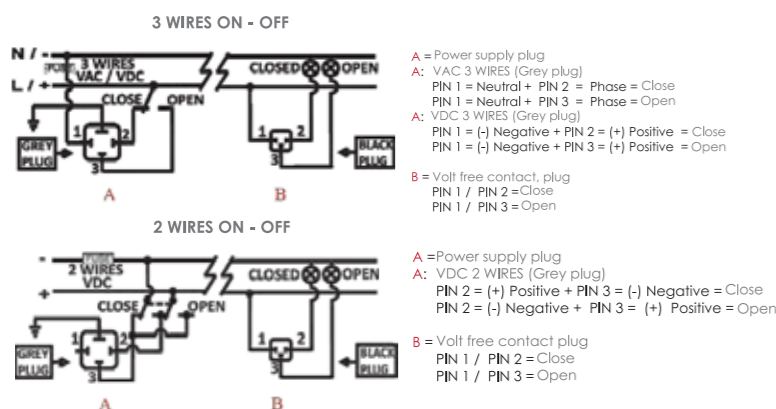
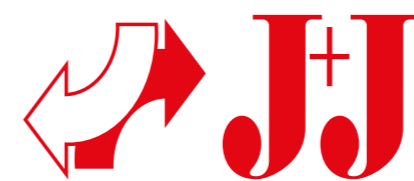
J4C J+J ACTUATOR SPECIFICATIONS

J4C J&J ACTUATOR SPECIFICATIONS

Series	Model	Voltage	Series	Model	Voltage	
J4C	S20 S35 S55 S85 S140 S300	24 a to 240 VDC/VAC 50/60Hz -0/+5%	J4C	B20 B35 B55 B85 B140 B300	12 VDC/VAC 50/60Hz -0/+5%	
Series Model	J4C S20 / B20	J4C S35 / B35	J4C S55 / B55	J4C S85 / B85	J4C S140 / B140	J4C S300 / B300
Operation time unload	10 Sec./90°	10 Sec./90°	13 Sec./90°	29 Sec./90°	25 Sec./90°	48 Sec./90°
Maximum torque break	25 Nm / 221 lb/in	38 Nm / 359.3 lb/in	60 Nm / 530 lb/in	90 Nm / 796.3 lb/in	170 Nm / 1504.5 lb/in	350 Nm / 3097.5 lb/in
Maximum operational torque	20 Nm / 177 lb/in	35 Nm / 309 lb/in	55 Nm / 486 lb/in	85 Nm / 752 lb/in	140 Nm / 1239 lb/in	300 Nm / 2655 lb/in
Duty rating	75%	75%	75%	75%	75%	75%
Max Working angle	0° - 270°	0° - 270°	0° - 270°	0° - 270°	0° - 270°	0° - 270°
Limit switch	4 SPST NO micro (2 motor stop and 2 confirmations)	4 SPST NO micro (2 motor stop and 2 confirmations)	4 SPST NO micro (2 motor stop and 2 confirmations)	4 SPST NO micro (2 motor stop and 2 confirmations)	4 SPST NO micro (2 motor stop and 2 confirmations)	4 SPST NO micro (2 motor stop and 2 confirmations)
Automatic heater	3,5 W	3,5 W	3,5 W	3,5 W	3,5 W	3,5 W
Big Plug	EN175301-803 FORM A	EN175301-803 FORM A	EN175301-803 FORM A	EN175301-803 FORM A	EN175301-803 FORM A	EN175301-803 FORM A
Small Plug	DIN43650/C	DIN43650/C	DIN43650/C	DIN43650/C	DIN43650/C	DIN43650/C
Protection IEC 60529 rating	IP67	IP67	IP67	IP67	IP67	IP67
Temperatur	-20°C +70°C -4°F +158°F	-20°C +70°C -4°F +158°F	-20°C +70°C -4°F +158°F	-20°C +70°C -4°F +158°F	-20°C +70°C -4°F +158°F	-20°C +70°C -4°F +158°F
ISO 5211 Plate	Standard: F03/F04/F05 Optional: F07 *17mm	Standard: F03/F04/F05 Optional: F07 *17mm	F05/F07	F05/F07	Standard: F07/F10 Optional: F12	Standard: F07/F10 Optional: F12
DIN 3337 Female output drive	Standard: *14mm Optional: *9, *11mm	Standard: *14mm Optional: *9, *11mm	Standard: *17mm Optional: *11, *14mm	Standard: *17mm Optional: *14mm	Standard: *22mm Optional: *17mm	Standard: *22mm Optional: *17mm
Weight	1,8 Kg	1,9 Kg	2,4 Kg	3 Kg	5,2 Kg	5,2 Kg
OPTIONS						
J4C KIT DPS Digital positioner	4-20mA, 0-20mA, 0-10V or 1-10V	4-20mA, 0-20mA, 0-10V or 1-10V	4-20mA, 0-20mA, 0-10V or 1-10V	4-20mA, 0-20mA, 0-10V or 1-10V	4-20mA, 0-20mA, 0-10V or 1-10V	4-20mA, 0-20mA, 0-10V or 1-10V
J4C KIT BSR emergency fail safe kit system by battery	NC - NO	NC - NO	NC - NO	NC - NO	NC - NO	NC - NO
Digital potentiometer	1K, 5K, 10k	1K, 5K, 10k	1K, 5K, 10k	1K, 5K, 10k	1K, 5K, 10k	1K, 5K, 10k
3 position actuator	0°-45°-90°, 0°-90°-180°	0°-45°-90°, 0°-90°-180°	0°-45°-90°, 0°-90°-180°	0°-45°-90°, 0°-90°-180°	0°-45°-90°, 0°-90°-180°	0°-45°-90°, 0°-90°-180°

Table of consumptions

Voltage	J4C S20 / B20				J4C S35 / B35				J4C S55 / B55				J4C S85 / B85				J4C S140 / B140				J4C S300 / B300															
	Unload		Max. Operational Torque 20Nm		Max. Operational Torque 35Nm		Max. Operational Torque 55Nm		Max. Operational Torque 60Nm		Max. Operational Torque -85Nm		Max. Operational Torque -90Nm		Max. Operational Torque -140Nm		Max. Operational Torque -170Nm		Max. Operational Torque -300Nm		Max. Operational Torque -350Nm															
	A	W	A	W	A	W	A	W	A	W	A	W	A	W	A	W	A	W	A	W	A	W														
12 VDC	0,75	9,06	1,80	21,60	1,95	23,36	0,75	9,06	2,38	28,62	2,62	31,50	0,70	8,45	3,04	36,43	3,42	41,05	0,62	7,42	2,11	25,34	2,28	27,32	1,93	23,10	4,73	56,76	5,39	64,68	1,32	15,84	5,17	62,04	5,45	65,34
24 VDC	0,45	10,77	0,90	21,49	0,97	23,39	0,45	10,77	1,28	30,78	1,37	32,79	0,42	10,19	1,55	37,17	1,63	39,02	0,36	8,55	1,08	25,87	1,22	29,30	0,66	15,84	2,15	51,48	2,53	60,72	0,50	11,88	2,31	55,44	2,70	64,68
48 VDC	0,21	9,93	0,42	20,38	0,46	22,07	0,21	9,93	0,56	26,72	0,59	28,20	0,20	9,72	0,61	29,25	0,67	32,31	0,17	8,24	0,48	22,92	0,53	25,56	0,30	14,25	0,88	42,24	1,10	52,80	0,22	10,56	1,10	52,80	1,19	57,02
110 VDC	0,07	8,00	0,13	14,30	0,14	15,70	0,07	7,70	0,17	18,90	0,18	20,10	0,07	7,50	0,19	20,80	0,21	23,20	0,05	5,80	0,14	15,20	0,16	17,90	0,10	10,89	0,28	30,25	0,39	42,35	0,09	9,68	0,33	36,30	0,39	42,35
12 VAC	1,04	12,51	1,85	22,18	2,28	27,32	1,04	12,51	2,75	33,00	3,19	38,28	0,94	11,30	3,43	41,18	3,78	45,41	0,81	9,69	2,38	28,51	2,65	31,81	2,75	33,00	6,60	79,20	8,47	101,64	1,98	23,76	7,26	87,12	8,64	103,62
24 VAC	0,59	14,20	1,12	26,77	1,28	30,62	0,59	14,20	1,58	37,80	1,67	40,13	0,58	13,89	1,87	44,88	1,98	47,52	0,50	11,88	1,36	32,74	1,50	36,01	0,83	19,80	2,59	62,04	3,30	79,20	0,66	15,84	2,75	66,00	3,30	79,20
48 VAC	0,34	16,37	0,69	33,16	0,75	36,22	0,34	16,37	0,92	44,04	0,99	47,31	0,33	15,73	1,10	52,80	1,21	58,29	0,25	11,83	0,77	37,07	0,86	41,18	0,48	23,23	1,43	68,64	1,79	86,06	0,36	17,42	1,65	79,20	1,87	89,76
110 VAC	0,14	15,73	0,27	29,52	0,30	32,67	0,14	15,73	0,36	39,45	0,38	41,87	0,14	15,73	0,40	43,80	0,43	46,95	0,12	12,83	0,31	33,64	0,33	36,54	0,23	25,41	0,63	68,97	0,72	78,65	0,19	20,57	0,66	72,60	0,77	84,70
240 VAC	0,10	23,76	0,15	36,43	0,16	39,07	0,10	23,76	0,19	45,41	0,20	47,52	0,09	22,70	0,20	47,52	0,21	50,16	0,08	20,06	0,17	40,13	0,18	42,77	0,18	42,24	0,39	92,40	0,44	105,60	0,15	36,96	0,42	100,32	0,47	113,52



Without leaving our philosophy of total multivoltage actuators, we would like to introduce, in our range of electric actuators, the new J4 series, which works for the first time with a brushless motor. The brushless motor is stronger more efficient and with less maintenance than a brushed motor. It definitely contributes to enlarge our actuators life.

We are launching a complete range of torques, from 20Nm to 300Nm, which B models work at 12Vac/VDC and S models do the same from 24Vac/Vdc to 240Vac/VDC.

It's high level technology, makes our actuators capable to intelligently communicate, using both the Modbus protocol or via Bluetooth. The mentioned communication systems appear as "factory options" in our catalogue.



J4 20/35

J4 55

J4 85

J4 140/300