



**technische import**

**SUCO Productinformatie**

**0161**



SUCO Robert Scheuffele GmbH & Co. KG

**www.bafa.nl**

# 0161 / 0162

Diaphragm / piston pressure switches up to 250 V

- Aluminium housing
- Changeover with silver contacts
- Overpressure safety up to 200 / 600 bar<sup>1)</sup>
- Socket device similar to DIN EN 175301 (DIN 43650)
- Hysteresis adjustable at factory

$p_{max.}$ in bar	Adjustment range in bar	Tolerance in bar at room temperature	Dimension A in mm	Order number:
----------------------	----------------------------	---	----------------------	---------------

With female G 1/4 thread

## 0161 Diaphragm pressure switches

200 <sup>1)</sup>	0.5 – 1	±0.2	15	0161 – 436 14 – X – 001
	0.5 – 5	±0.2 – 0.5		0161 – 437 14 – X – 001
	1 – 10	±0.5		0161 – 438 14 – X – 001
	10 – 50	±3.0		0161 – 439 14 – X – 001
	50 – 100	±3.0 – 5.0		0161 – 440 14 – X – 001

## 0161 Piston pressure switches

600 <sup>1)</sup>	100 – 400	±5.0 – 9.0	0161 – 441 14 – X – 001
-------------------	-----------	------------	-------------------------

Block style (with O-ring NBR 5 x 1.5 mm)

## 0162 Diaphragm pressure switches

200 <sup>1)</sup>	0.5 – 1	±0.2	15	0162 – 436 14 – X – 001
	0.5 – 5	±0.2 – 0.5		0162 – 437 14 – X – 001
	1 – 10	±0.5		0162 – 438 14 – X – 001
	10 – 50	±3.0		0162 – 439 14 – X – 001
	50 – 100	±3.0 – 5.0		0162 – 440 14 – X – 001

## 0162 Piston pressure switches

600 <sup>1)</sup>	100 – 400	±5.0 – 9.0	19.5	0162 – 441 14 – X – 001
-------------------	-----------	------------	------	-------------------------

## Seal material – Application areas

NBR	Hydraulic/machine oil, heating oil, air, nitrogen, etc.	1
EPDM	Brake fluid, hydrogen, oxygen, acetylene, etc.	2
FKM	Hydraulic fluids (HFA, HFB, HFD), petrol/gasoline, etc.	3

Refer to page 75 for the temperature range and application thresholds of sealing materials

Your order number: **016X – XXX 14 – X – XXX**

## 1 Adjusting the set point

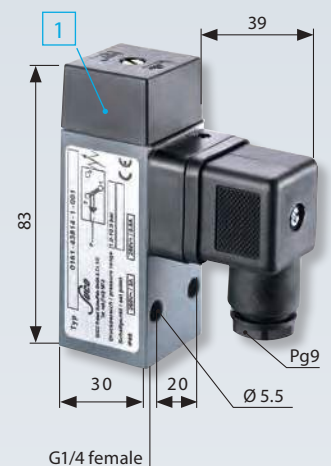
To adjust the set point, undo the locknut and adjust the set screw using a screwdriver. Clockwise screwing increases the switching pressure. After adjusting, tighten the locknut again.

<sup>1)</sup> Static value. Dynamic value is 30-50 % lower. Values pertain to the hydraulic/pneumatic part of the pressure switch.

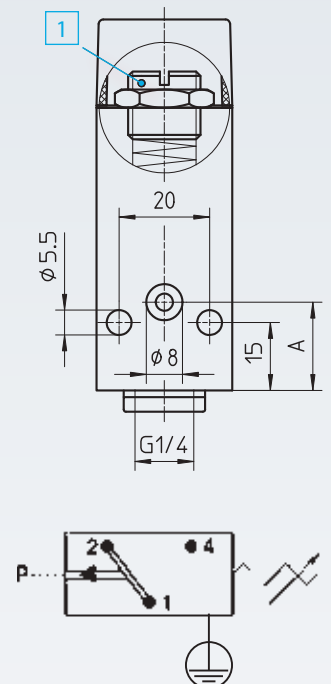
M.7

30 A/F

## 0161 with female thread



## 0162 Block style



# Pressure switches 30 A/F

## Technical data

M.7

30 A/F

Temperature resistance of sealing materials:	NBR	-40 °C ... +100 °C
	EPDM	-30 °C ... +120 °C
	FKM (in diaphragm pressure switch)	-5 °C ... +120 °C
	FKM (in piston pressure switch)	-15 °C ... +120 °C
Switching frequency:	200 / min.	
Mechanical life expectancy:	1,000,000 cycles (for diaphragm pressure switches, life expectancy value only applies for switching pressures up to 50 bar)	
Pressure rise rate:	≤ 1 bar / ms	
Hysteresis:	Typ 0159:	approx. 10 ... 30 % (not adjustable)
	Typ 0161, 0162, 0175:	approx. 10 ... 30 % (factory adjustable)
Vibration resistance:	10 g; 5 ... 200 Hz sine wave; DIN EN 60068-2-6	
Shock resistance:	294 m/s <sup>2</sup> ; 14 ms half sine wave; DIN EN 60068-2-27	
Housing material:	Aluminium	
Protection class:	IP65 with Socket device fitted	
Weight:	Typ 0159, 0161, 0162:	approx. 240 g
	Typ 0175:	approx. 310 g

Electrical values	0159	0161 / 0162 / 0175
Rated working voltage U <sub>e</sub>	Rated working current I <sub>e</sub>	
250 VAC 50 / 60 Hz, AC 12	2.5 A	5 A
250 VAC 50 / 60 Hz, AC 14	1 A	1 A
24 VDC, DC 12/DC 13	2/2 A	3.5/3.5 A
50 VDC, DC 12/DC 13	1/0.5 A	2/1 A
75 VDC, DC 12/DC 13	0.75/0.4 A	1/0.5 A
125 VDC, DC 12/DC 13	0.3/0.2 A	0.3/0.2 A
250 VDC, DC 12/DC 13	0.3/0.2 A	0.25/0.2 A
Rated insulation voltage U <sub>i</sub> :	300 V	
Rated impulse withstand voltage U <sub>imp</sub> :	2.5 kV	
Conventional thermal current I <sub>the</sub> :	6 A	
Switching overvoltage:	< 2.5 kV	
Rated frequency:	DC and 50/60 Hz	
Nominal current of short-circuit mechanism:	to 2.5 A	to 6.3 A
Conditional short-circuit current:	< 350 A	
Tightening torque of terminal screws:	< 0.35 Nm	
Connector cross-section:	0.5 – 1.5 mm <sup>2</sup>	





**technische import**

[www.bafa.nl](http://www.bafa.nl)