



technische import

SUCO Productinformatie

0197



SUCO Robert Scheuffele GmbH & Co. KG

www.bafa.nl

0196 / 0197

Diaphragm / piston pressure switches up to 24 V with stainless steel housing

- Stainless steel housing (1.4305 / AISI 303)
- Fitted with changeover contact and gold contacts
- Overpressure safety up to 300 / 600 bar¹⁾
(EPDM-W270 and silicone diaphragm up to 35 bar²⁾)
- Hysteresis adjustable at factory

p_{max} in bar	Adjustment range in bar	Tolerance in bar at room temperature	Male thread	Order number
---------------------	----------------------------	---	-------------	--------------

0196 Diaphragm pressure switches with spade terminal

$300^{1)+2)}$	0.5 – 5	± 0.3	G 1/4	0196 – 457 03 – X – 003
	1 – 10	± 0.5		0196 – 458 03 – X – 006
	10 – 50	± 3.0		0196 – 459 03 – X – 009
	10 – 100	$\pm 3.0 – 5.0$		0196 – 461 03 – X – 012

0197 Piston pressure switches with spade terminal

$600^{1)}$	50 – 200	± 5.0	G 1/4	0197 – 460 03 – X – 003
------------	----------	-----------	-------	-------------------------

Seal material – Application areas

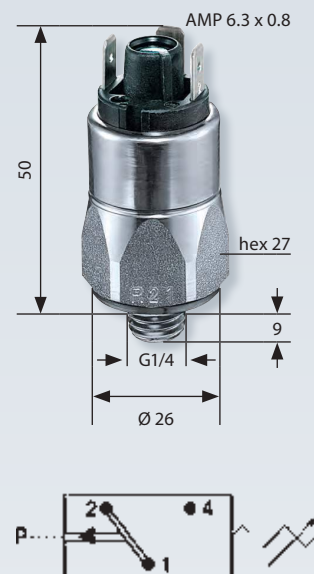
NBR	Hydraulic/machine oil, heating oil, air, nitrogen, etc.	1
EPDM	Brake fluid, hydrogen, oxygen, acetylene, etc.	2
EPDM-W270	Drinking water (only in diaphragm, $p_{max} \leq 35$ bar)	5
FKM	Hydraulic fluids (HFA, HFB, HFD), petrol/gasoline, etc.	3
Silicone	Water, food products, air, etc. (only in diaphragm, $p_{max} \leq 35$ bar)	8
HNBR	Hydraulic/machine oil, ester-based bio-oils	9

Refer to page 53 for the temperature range and application thresholds of sealing materials.

Your order number: **019X – XXX 03 – X – XXX**

M.4

hex 27



¹⁾ Static value. Dynamic value is 30-50 % lower. Values pertain to the hydraulic/pneumatic part of the pressure switch.

²⁾ Overpressure safety of diaphragm pressure switch up to 300 bar. Functional reliability only up to 35 bar with diaphragm materials EPDM-W270 and silicone.



technische import

www.bafa.nl