



**technische import**

**SUCO Productinformatie**

**0570**

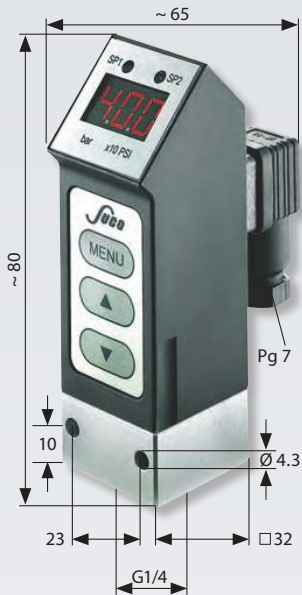


SUCO Robert Scheuffele GmbH & Co. KG

**www.bafa.nl**

# E.4

menu-controlled



# 0570

## Electronic pressure switches

- Anodised aluminium and die-casted zinc
- Ceramic measuring cell in thick-film technology
- Supply voltage 12 ... 30 VDC
- Overpressure protection to 20 / 150 / 600 bar<sup>1)</sup>
- Programmable using keypad on front
- Switching time delay (setting from 0 to 3 s)
- Peak value memory (within the measurement range)
- Pin protection possible to prevent misuse
- Socket device included

pmax. in bar	Burst pressure in bar	Adjustment range in bar	Thread	Order number:
--------------	-----------------------	-------------------------	--------	---------------

### 0570 Electronic switches

20 <sup>1)</sup>	25	0 – 10	G 1/4 female	0570 – 467 14 – X – 001
150 <sup>1)</sup>	175	0 – 100		0570 – 468 14 – X – 001
600 <sup>1)</sup>	700	0 – 400		0570 – 469 14 – X – 001

### Seal material – Application areas

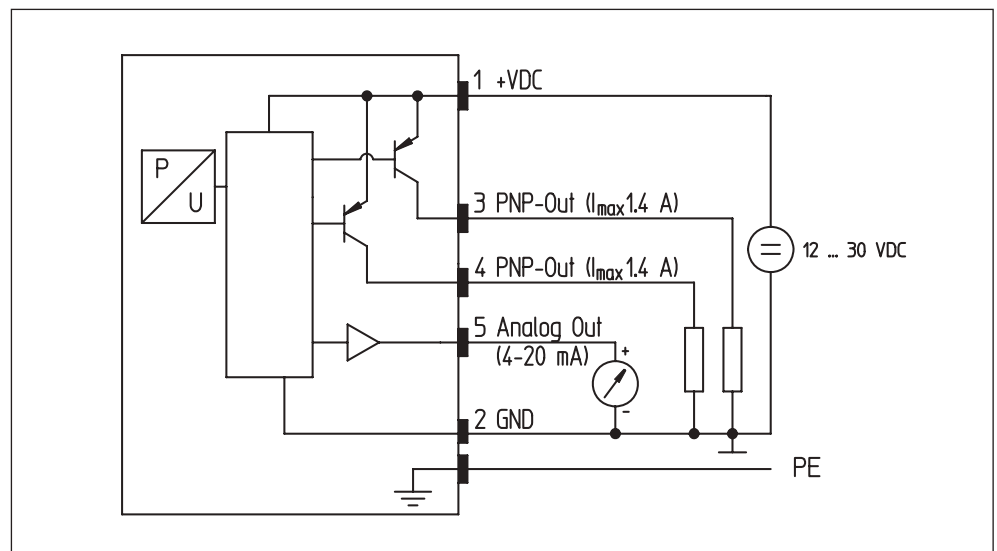
<b>NBR</b>	Hydraulic/machine oil, heating oil, air, nitrogen, etc.	<b>1</b>
<b>EPDM</b>	Brake fluid, water, acetylene, hydrogen, etc.	<b>2</b>
<b>FKM</b>	Hydraulic fluids (HFA, HFB, HFD), petrol/gasoline, etc.	<b>3</b>

Refer to page 119 for the temperature range and application thresholds of sealing materials



**Order number:** 0570 – XXX 14 – X – 001

### Wiring chart



<sup>1)</sup> Static pressure, dynamic pressure 30 to 50% lower. Values refer to the hydraulic or pneumatic part of the electronic pressure switch.

## Technical details

Type:	<b>0570 Electronic pressure switches</b>
Switching function:	NC/NO, programmable, 2 switching points, switching time delay, zero point reset, peak value memory (within adjustment range), switching point counter
Settings:	Programmable using keypad on front
Outputs:	2 transistor outputs (each 1.4 A DC12 / PNP) 1 analogue output (4 – 20 mA)
Supply voltage $U_B$ :	12 – 30 VDC
Switching status display:	2 LEDs (yellow)
Pressure display:	Current pressure displayable in bar or PSI on 3-digit LED (red)
Life expectancy:	5,000,000 pulsations at rise rates to 1 bar/ms at $p_{nom}$
Pressure rise rate:	$\leq 1$ bar / ms
Switching time:	$< 4$ ms
Switching time delay:	Adjustable between 0 and 3.0 s
Hysteresis:	1 – 99 % FS, programmable from keypad
Accuracy:	$\pm 0.5$ % (FS at room temperature)
Accuracy, display:	$\pm 0.5$ % (FS at room temperature) $\pm 2$ digits
Temperature drift:	$\pm 0.2$ % / $1$ °C
Temperature range:	NBR, EPDM: $-20$ °C ... $+80$ °C FKM: $-5$ °C ... $+80$ °C
Temperature compensation:	$-20$ °C ... $+80$ °C, error $\leq \pm 1.5$ % overall
Materials:	Wetted parts anodised aluminium, body made of die-casted zinc
Vibration resistance:	10 g at 5 ... 2000 Hz sine wave; DIN EN 60068-2-6
Shock resistance:	294 m/s <sup>2</sup> ; 11 ms half sine wave; DIN EN 60068-2-27
Protection class:	IP65
EMV:	acc. to EN 50081-1, EN 50081-2, EN 50082-2
Weight:	approx. 340 g
Access pin:	The switch can be protected with a pin between 1 and 999



**technische import**

[www.bafa.nl](http://www.bafa.nl)