



technische import

SUCO Productinformatie

0150



SUCO Robert Scheuffele GmbH & Co. KG

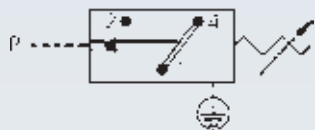
M.9

Vacuum

0150

Vacuum switch up to 250 V with changeover contact

- Aluminium housing
- Operating voltage up to 250 V
- Changeover with silver contacts
- Overpressure safety up to 20 bar¹⁾
- Socket device similar to DIN EN 175301 (DIN 43650)
- Hysteresis approx. 50 – 150 mbar (cannot be changed)



p _{max.} in bar	Adjustment range in mbar (relative)	Tolerance in mbar at room temperature	Thread	Order number
-----------------------------	--	--	--------	--------------

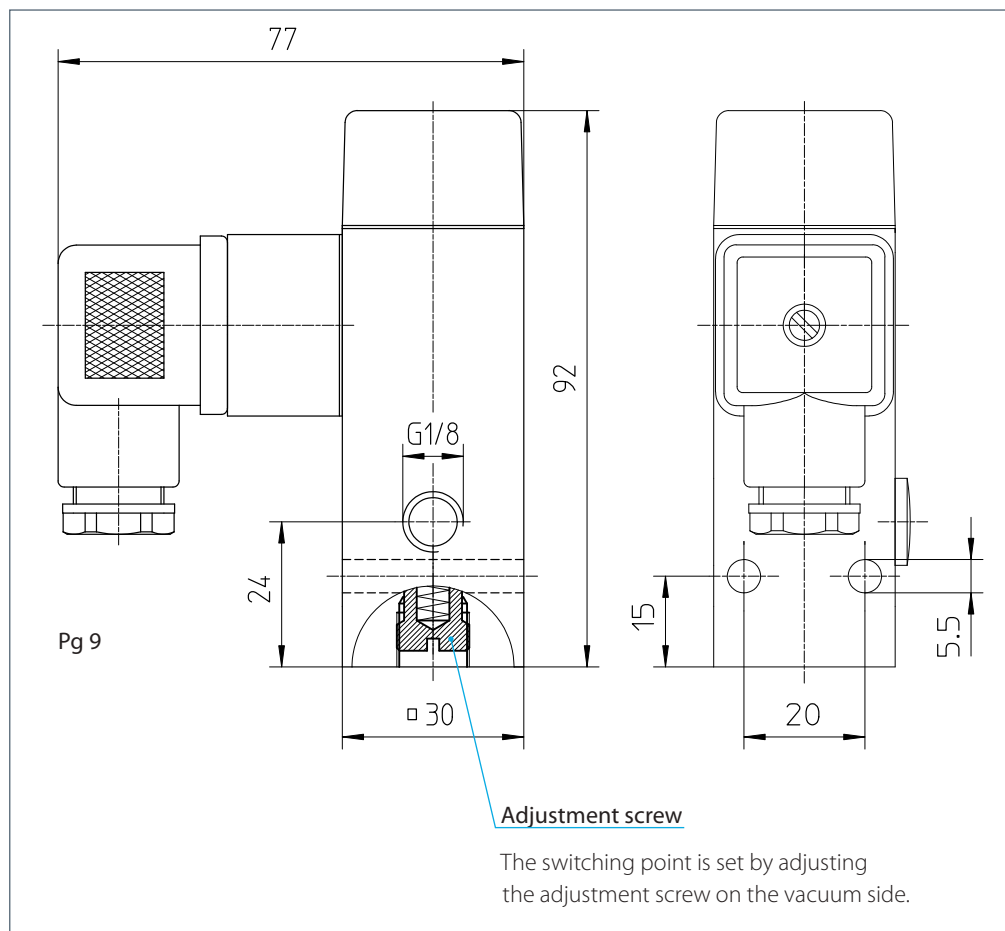
0150 Vacuum switch

20 ¹⁾	100 – 950	± 50	G 1/8 female	0150 – 456 15 – 4 – 001
------------------	-----------	------	--------------	-------------------------

Seal material – Application areas

ECO	Air, oils, greases, fuel/gasoline	4
-----	-----------------------------------	---

Temperature resistance: -20°C ... +100°C

Your order number:**0150 – 456 15 – 4 – 001**¹⁾ Static value. Dynamic value is 30-50 % lower. Values pertain to the hydraulic/pneumatic part of the pressure switch.

Vacuum switches

Technical data

M.9

Vacuum

Type:	0150	0151
Operating voltage:	10 ... 250 VAC/DC	10 ... 42 VAC/DC
Rated current (resistive load):	Refer to electrical values below	10 mA ... 4 A
Switching power:	Refer to electrical values below	100 VA
Temperature resistance of sealing materials:	-20 °C ... +100 °C	-15 °C ... +120 °C
Switching frequency:	200 / min.	
Mechanical life expectancy:	1,000,000 cycles	
Pressure rise rate:	≤ 1 bar / ms	
Vibration resistance:	10 g; 5 ... 200 Hz sine wave; DIN EN 60068-2-6	
Shock resistance:	294 m/s ² ; 14 ms half sine wave; DIN EN 60068-2-27	
Housing material:	Aluminium	Brass
Protection class:	IP65 with socket device	IP65, terminals IP00
Weight:	approx. 270 g	approx. 140 g

0150 Electrical values (also refer to page 14 for technical explanations)

Rated working voltage U_e	Rated working current I_e (usage category)
250 VAC 50 / 60 Hz	5 A (AC 12)
250 VAC 50 / 60 Hz	1 A (AC 14)
24 VDC	3.5 / 3.5 A (DC 12 / DC 13)
50 VDC	2 / 1 A (DC 12 / DC 13)
75 VDC	1 / 0.5 A (DC 12 / DC 13)
125 VDC	0.3 / 0.2 A (DC 12 / DC 13)
250 VDC	0.25 / 0.2 A (DC 12 / DC 13)
Rated insulation voltage U_i :	300 V
Rated impulse withstand voltage U_{imp} :	2.5 kV
Conventional thermal current I_{the} :	6 A
Switching overvoltage:	< 2.5 kV
Rated frequency:	DC and 50 / 60 Hz
Nominal current of short-circuit mechanism:	up to 6.3 A
Conditional short-circuit current:	< 350 A
Tightening torque of terminal screws:	< 0.35 Nm
Connector cross-section:	0.5 ... 1.5 mm ²



technische import

www.bafa.nl