



technische import

Produkt informatie



HANS SASSERATH & Co. KG

www.bafa.nl

Water Softener for Heating Installations 3200

Water softening system for heating installations



Field of application

The SYR water softener type 3200 designed for heating installations supplies heating systems with softened water and protects them against lime deposits, which may lead to various malfunctions and damages. The latter are due to a progressive reduction of the heat transfer surfaces: lime deposits continuously diminish the cross-sections, sediments deposit on the heat transfer

surfaces, which causes a reduction of the heating capacity or even a breakdown of the heating system. As set by the European Standard EN 1717, a BA Backflow Preventer (for instance the BA-Filling-Combi) has to be installed upstream of the water softener for heating systems to prevent the backflow of heating water into the potable water system.

Design

The SYR water softener type 3200 designed for heating installations is a water softening device with a replaceable cartridge system. When the cartridge is worn out, it can be returned and easily replaced with a new one. This water softening system designed for heating installations is equipped with upstream and downstream isolating valves

and a water meter. When connected to the manometer plug, the drain valve enclosed with the delivery allows drawing off water to verify its hardness. Install the water softener for heating installations with the wall bracket enclosed with the delivery. The device is equipped with threaded unions on both sides.



Water Softener for Heating Installations 3200

Materials

The functional parts are made of high-quality synthetic material. The body and the internal plastic parts are made of shock-resistant thermoplast and the rubber parts of ageing-resistant elastomeric material. All

remaining functional parts are made of a dezincification-resistant brass alloy and non-rusting steel. All materials used are state-of-the-art.

Installation

Install the water softener for heating installations upstream of the heating system. Fasten it to the wall bracket.

Provide for free access. The optimal service pressure for the water softening device lies within a range from 1 to 6 bar.

Thoroughly flush the pipe prior to installation. Install the water softener for heating installations in the pipe without

applying stresses and observe the correct direction of flow (arrow on the body).

Technical specifications

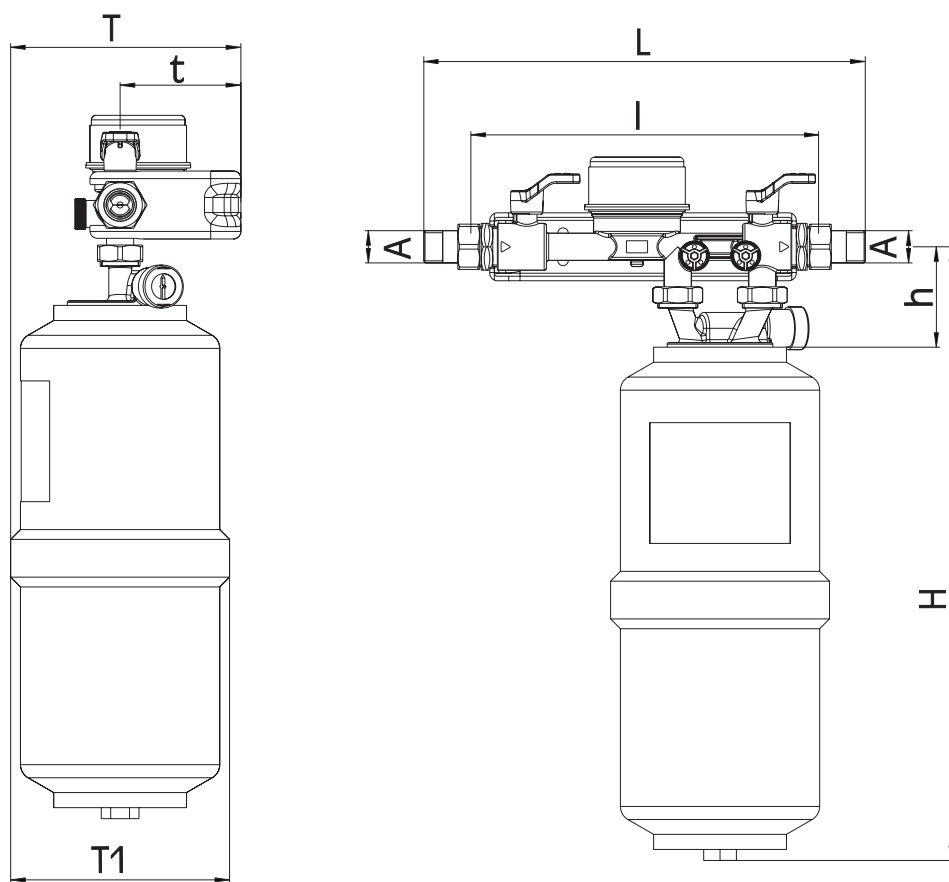
Inlet pressure:	max. 10 bar
Operating pressure:	min. 1 bar, max. 6 bar
Operating temperature:	0°C - 30 °C
Fluid:	potable water
Mounting position:	horizontal, cartridge in vertical position facing downwards
Nominal flow rate:	0.5 m ³ /h at Δp 0.2 bar
Serial number:	3200.15.000

Maintenance

As the water softening system works automatically, only the cartridge needs to be replaced, when it is worn out. The new cartridge is delivered in a poolbox, which

also serves as a return transport box for the worn-out cartridge.

Water Softener for Heating Installations 3200



Nominal size		DN15
Dimensions	A	R 1/2"
	T (mm)	155
	T1 (mm)	145
	t (mm)	75 - 90
	H (mm)	410
	h (mm)	66,5
	L (mm)	292
	l (mm)	200

Water Softener for Heating Installations 3200

Components / Order numbers

①
Water meter

②
Cartridge
3200.15.900

