



technische import

Produkt informatie



HANS SASSERATH & Co. KG

www.bafa.nl

Pressure reducing valve 6243

Pressure reducing valve made of gunmetal for industrial applications



Field of application

The SYR pressure reducing valve type 6243 is used to regulate the pressure in industrial systems and apparatuses with media as given in the specifications. The pressure

reducing valve regulates the pressure in the downstream part of the installation by closing in case of pressure increase.

Design

The pressure reducing valve type 6243 is designed as spring-relieved single-seated valve with a coaxially arranged strainer (mesh width: 0.25 mm). It is equipped with an outlet pressure indicator that displays the set pressure. As a result, an additional pressure gauge is not necessary. The spring cap is rotatable by 360°, so that the pressure indicator is always visible. The

operational parts of the system are placed in a cartridge; this complete unit can be exchanged without disassembling the whole valve and without using special tools; when disassembling the cartridge the outlet pressure setting remains unchanged. The special cartridge design allows any mounting position.



Pressure reducing valve 6243

Materials

The body and the captive nut are made of a low-lead dezincification resistant gunmetal alloy. All rubber parts are made of ageing resistant elastomer. The diaphragm is reinforced and the high resistance of the screw cap is due to glass fibre reinforced synthetic material. The sealing elements are made of heat and ageing resistant elastomer. The spring is made of corrosion protected spring steel wire.

Installation

The connection size depends on the required flow rate capacity. A pressure reducing valve works without auxiliary energy with very little adjustment forces and therefore it reacts sensitively to impurities. A filter installed upstream effectively protects the pressure reducing valve type 6243. Thoroughly rinse the pipe prior to installation.

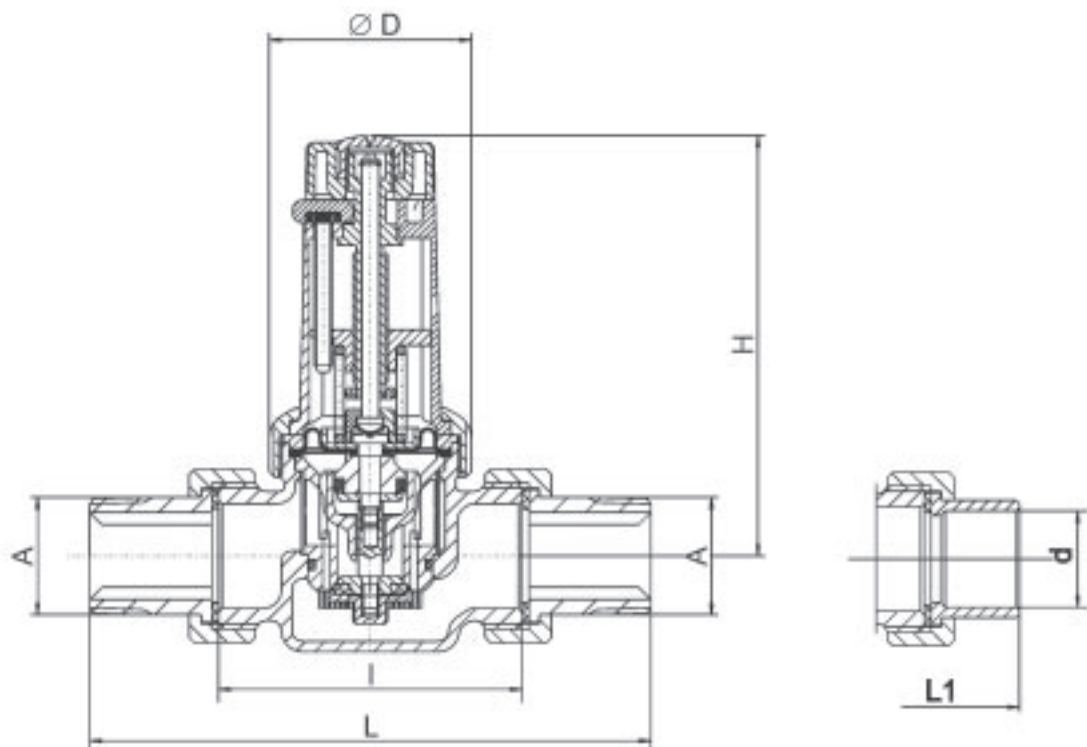
Install the SYR pressure reducing valve in the pipe under consideration of the flow direction (see arrow on the body) without applying stresses. Afterwards, turn the head part without loosening the captive nut, so that the green outlet pressure indicator becomes visible.

Technical data	Operating overpressure:	max. 25 bar
	Opening pressure:	Type 6243.1: 1.5 to 5 bar Type 6243.2: 4 - 8 bar
	Operating temperature:	max. 90 °C
	Reduction ratio:	max. 10 : 1
	Mounting position:	any
	Fluid:	water, compressed air, neutral fluids, oil-free air, neutral gases
	Serial number:	6243...

Maintenance

The inlet pressure available has to be at least one bar higher than the desired outlet pressure. For the adjustment, all draw-off valves on the outlet side have to be closed. For doing so, loosen the safety screw in the adjustment knob. The requested pressure is set with a flick of the wrist. With the well-contrived combined adjustment-display handle, the pressure reducer not only ensures an optimal pressure but also allows to read the set pressure without an additional pressure gauge. To reduce the outlet pressure, turn the adjustment handle in the direction of the minus symbol (-), to increase it, turn the adjustment handle in the direction of the plus symbol (+). It is recommended to carry out maintenance works on a regular basis to ensure a durable function. The perfected design of the cartridge system allows to disassemble the operational part of the pressure reducing valve without having to disassemble the whole valve and without using special tools.

Pressure reducing valve 6243



Nominal size		DN 15	DN 20	DN 25	DN 32	DN 40	DN 50
Dimensions in mm	A	G 1/2	G 3/4	G 1	G 1 1/4	G 1 1/2	G 2
	d (mm)	15	22	28	35	42	54
	L (mm)	132	143	161	190	220	255
	L1 (mm)	106	117	135	170	205	240
	l (mm)	75	75	87	105	130	140
	H (mm)	123	123	121	176	176	180
	D (mm)	58	58	58	SW 75	SW 75	SW 75
Flow rate capacity	min. m ³ /h	1,8	2,9	4,7	7,2	8,3	13
	max. m ³ /h	1,8	3,3	5,4	8,6	13,7	21,2

Accessory

Manometer 0011.08.000

Pressure reducing valve 6243

Components / Order numbers

①
Pressure reducer cartridge
with outlet pressure indicator

②
Body

③
Threaded union and seal

DN 15	0812.15.900
DN 20	0812.20.900
DN 25	0812.25.900
DN 32	0812.32.900
DN 40	0812.40.900
DN 50	0812.50.900

