



technische import

Productinformatie



A.U.K. MÜLLER GMBH & CO. KG

BAFA.NL

Servo-controlled solenoid valve NC, DN 10

Product Information



A. u. K. Müller

Solenoid valves
Control valves
Special valves and systems

A. u. K. Müller GmbH & Co. KG
Dresdener Str. 162
D-40595 Düsseldorf/Germany

Tel.: +49(0)211-7391-0
Fax: +49(0)211-7391-281

e-mail: info@akmueller.de
Internet: www.akmueller.de

Series 01.010.215



Characteristics

- Servo-controlled
- Normally closed (NC)
- Solenoid replaceable while medium circuit remains untouched, solenoid rotatable 4x90°
- Suitable for hot water up to 90 °C
- Similar performance for alternating- or direct current
- Long term performance capability
- Optimized water hammer characteristic by Low noise emission according to EN 60730
- High operating safety by the use of high quality materials and 100% final testing of the products

Applications

- Steam appliances
- Dental appliances
- Hot / cold drink dispensers
- Industrial appliances
- Air conditioning
- Agricultural implements
- Pollution equipment
- Temperature equalisers
- Dish washers
- Ice machines
- Washing machines
- Water treatment

Description

2/2-way solenoid valve of nominal diameter DN 10 for use with cold and heated potable water and physically and chemically similar media. The valve is servo-controlled and normally closed (NC).

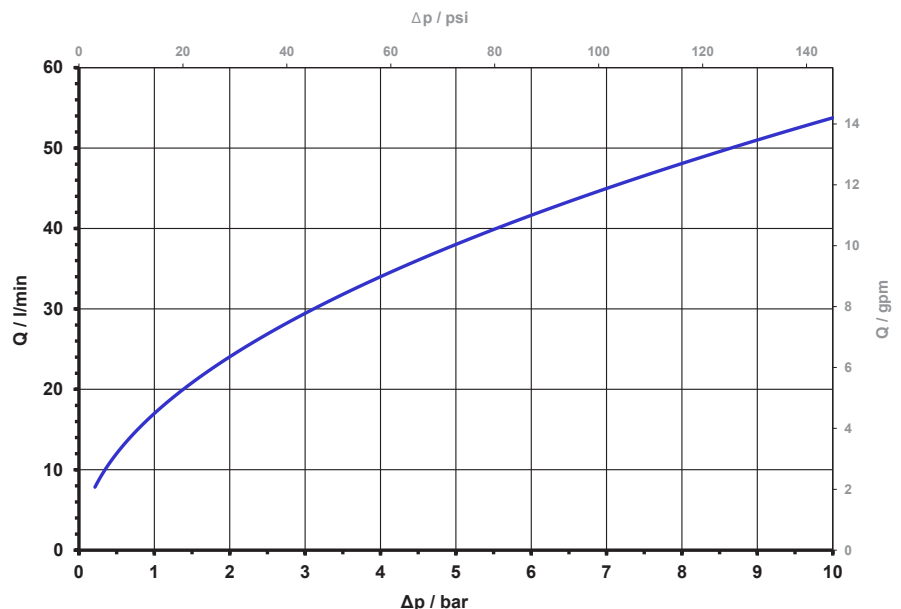
Valves of this design are double chamber valves with the inlet ninety degrees to the outlet and can be manufactured with various connections.

Coil systems for common voltage and frequency ranges are available.

Electrical operating safety is achieved by insulation class F and can be supported by an integrated protective circuit.

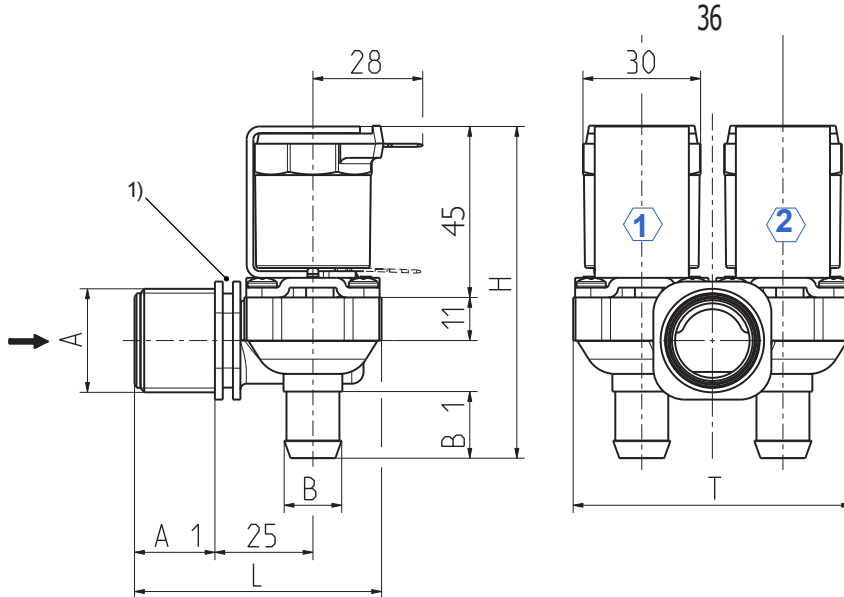
By using high quality insulation materials, continuous duty (100 % ED) at higher medium temperatures is possible. The glass fibre reinforced polyamide valve body persist hot water. Protection against corrosion of inner parts exposed to the medium is achieved by using stainless steel.

typical performance curve





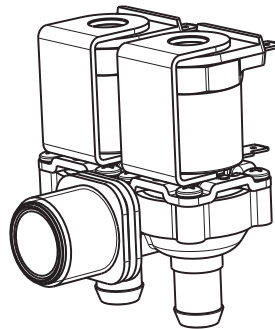
Series 01.010.215



1) Fixing groove
①, ② valve chamber

Materials

Valve body	PA 66 glass fibre reinforced PPE on request PEI on request (T-medium max. 30 °C)
Plunger guide	stainless steel
Plunger and spring	stainless steel
Membrane and sealings	EPDM NBR (on request) VMQ (on request)
Coil coating	PBT, PET or epoxy resin
Filter (Inlet)	Stainless steel POM on request (Tm : 65 °C; 90 °C / 1 h)



Options

Material	Inlet	Outlet	Length	Height	Depth		
	Ø A	A1	Ø B	B1	L	H	T
PA 66	G 3/4	20,0	2x 14,5 nozzle	17,0	63,0	85,0	71,0
PA 66	G 3/4	20,0	2x 11,5 nozzle	18,0	63,0	85,0	71,0
PA 66	G 3/4	20,0	2x 14,5 nozzle with 7/16-20 UNF female	17,0	63,0	85,0	71,0
PA 66	G 3/4	20,0	2x G 1/4 x 12	17,0	63,0	85,0	71,0
PA 66	G 3/4	20,0	2x 14,5 nozzle with 1x 12 M10 female	17,0	63,0	85,0	71,0
PA 66	G 3/4	20,0	2x 14,5 nozzle with 7/16 UNF female	17,0	63,0	85,0	71,0
PA 66	G 3/4	20,0	1x 14,5 nozzle ② 1x 14,5 nozzle with 12 G 1/8 female ①	17,0	63,0	85,0	71,0
PPE	.75-11,5 NH	20,0	2x 14,5 nozzle	17,0	63,0	85,0	71,0
PPE	.75-11,5 NH	20,0	2x 11,5 nozzle	18,0	63,0	85,0	71,0

Technical Data

Type	solenoid valve	
Construction	2/2-way 2 chamber valve, inlet ninety degree to outlet, servo-controlled	
Function	NC (normally closed)	
Fitting position	any, preferably with coil upwardly	
Media	cold and heated potable water and physically and chemically similar media	
T-Medium	90	°C max.
T-Ambient	70 (60	°C max. °C max. USA and coils MS.024, MS.025)
DN	10	mm
p-Operating	0,2 - 10	bar
Cv-value	17	l/min
Flow regulator	on request	
pressure surge	according to EN 60730	
Coil type	MS.006, MS.024, MS.025	
Nominal voltages	220 - 240 110 110 - 127 24 12 24 12	V AC V AC V AC V AC V AC V DC V DC 50-60 Hz 50 Hz 60 Hz 50/60 Hz 50/60 Hz
	other voltages on request	
Voltage tolerance	+10% -15%	
Duty cycle	100%	
Nominal power	8,5 W	13 VA (AC only)
Protection Type	IP 00 up to IP 68	
Coil connections	flat tabs 6,3 x 0,8 mm plug socket according to EN 175301-803 (IP65), several cable connections (IP67, IP68)	
Insulation class	F	according to EN 60730
Protection class	I	according to EN 60730 (for incorporation in class I)





technische import

Nijverheidsweg 11
7005 AS Doetinchem
T. +31 (0) 314-344342
E. info@bafa.nl

BAFA.NL