



**technische import**

# Productinformatie



**A.U.K. MÜLLER GMBH & CO. KG**

**BAFA.NL**

## Direct acting solenoid valve, DN.13 media separated



### A.u.K. Müller

Solenoid valves  
Control valves  
Special valves and systems

A. u. K. Müller GmbH & Co. KG  
Dresdener Str. 162  
D-40595 Düsseldorf/Germany

Tel.: +49(0)211-7391-0  
Fax: +49(0)211-7391-281

e-mail: [info@akmueller.de](mailto:info@akmueller.de)  
Internet: [www.akmueller.de](http://www.akmueller.de)

#### Series 01.013.127



#### Characteristics

- direct acting
- normally closed (NC)
- internal plunger assembly medium separated
- low pressure range of up to 60 mbar
- solenoid replaceable while medium circuit remains untouched, solenoid rotatable 4 x 90°
- suitable for hot water up to 98°C
- long term performance capability
- high operating safety by the use of high quality materials and 100% final testing of the products

#### Applications

- dosing systems
- low pressure applications
- cleaning equipment
- industrial appliances

#### Description

This 2/2-way solenoid valve has a 13 mm orifice and is designed for use with potable water and physically and chemically similar media. It is suitable for use in low pressure applications such as controlling flow from a tank and can handle a maximum pressure head of 60 cm.

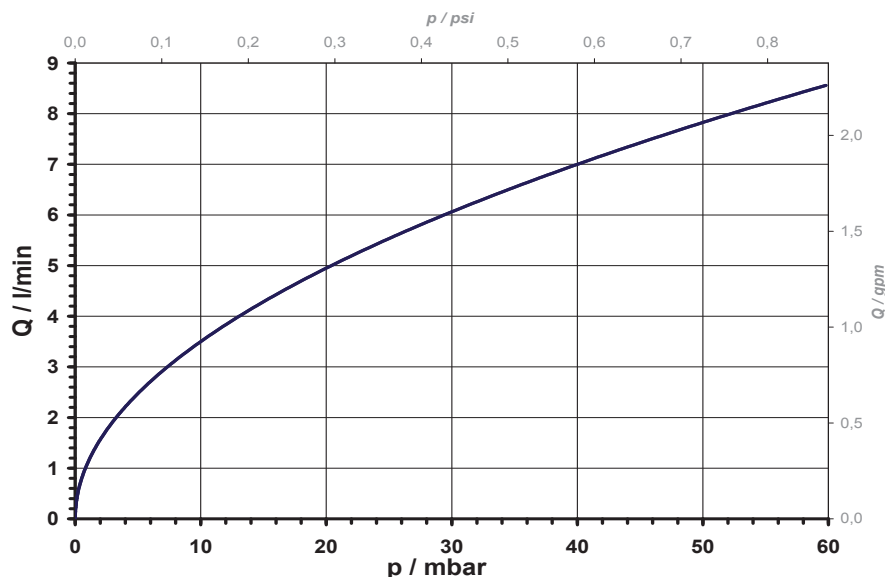
The valve is direct acting in operation, normally closed (NC) and the internal plunger assembly is separated from the medium.

These valves have a single body chamber. Coils are available in all common voltage and frequency ranges.

A high level of electrical operating safety is achieved through its insulation class F which can be supported by an integral protective circuit.

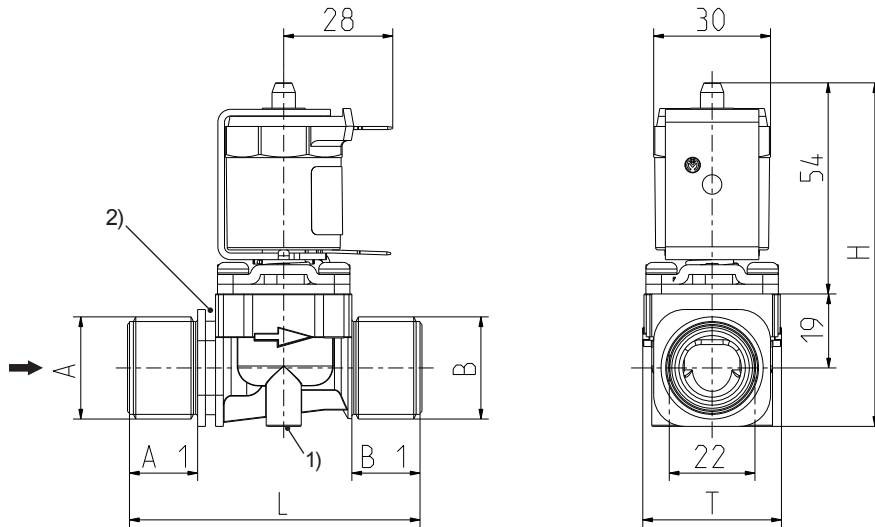
The use of high quality insulation materials enables a 100 % duty cycle to be achieved, even at high medium temperatures. For example, the valve body is reinforced with glass fibre to enable use with hot water. Protection against corrosion of inner parts exposed to the medium is achieved by a separating membrane.

typical performance curve





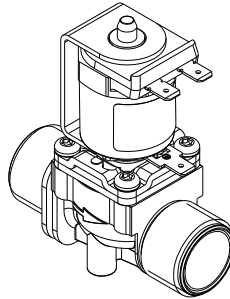
#### Series 01.013.127



- 1) Fixing possibility for self tapping screw  $\varnothing 4,2$   
2) Fixing groove

#### Materials

<b>Valve body</b>	PA 66 glass fibre reinforced PPE on request PEI on request (T-medium max. 30 °C)
<b>Plunger guide</b>	stainless steel
<b>Plunger and spring</b>	stainless steel
<b>Membrane and sealings</b>	VMQ EPDM on request
<b>Coil coating</b>	PBT,PET or epoxy resin
<b>Filter (inlet)</b>	stainless steel POM on request



#### Options

Material	Inlet	Outlet	Length	Height	Depth		
	$\varnothing A$	A1	$\varnothing B$	B1	L	H	T
PA 66	G 1/2	15,0	G 1/2	15,0	70,0	88,0	36,0
PA 66	G 3/4	18,0	21,0 nozzle	25,5	85,0	88,0	36,0
PA 66	G 3/4	18,0	G 3/4	18,0	76,0	88,0	36,0
PA 66	G 3/4	14,5	G 3/4	14,5	69,0	88,0	36,0
PA 66	G 3/4	18,0	22,6 nozzle	12,0	70,0	88,0	36,0
PA 66	G 3/4 no fixing clip possible	10,0	G 3/4	10,0	55,0	88,0	36,0
PPE	G 3/4	18,0	21,0 nozzle	25,5	85,0	88,0	36,0
PA 66	18,0 Nozzle (JG-Connector)	30,0	G 3/4	18,0	90,0	88,0	36,0
PA 66	G 3/4	18,0	18,0 nozzle (JG-Connector)	30,0	90,0	88,0	36,0
PA 66	G 3/4 G 1/2x12 female	18,0	G 3/4 G 1/2x12 female	18,0	76,0	88,0	36,0
PPE	,75 - 11,5 NH	18,0	21,0 nozzle	25,5	85,0	88,0	36,0

#### Technical Data

<b>Type</b>	solenoid valve	
<b>Construction</b>	2/2-way single chamber straight valve, direct acting	
<b>Function</b>	NC (normally closed)	
<b>Fitting position</b>	any, preferably with coil upwardly	
<b>Media</b>	cold and heated potable water and physically and chemically similar media	
<b>T-Medium</b>	98	°C max.
<b>T-Ambient</b>	50	°C max.
<b>DN</b>	13	mm
<b>p-Operating</b>	0 - 60 mbar	
<b>Coil type</b>	MS.006, MS.024, MS.025	
<b>Nominal voltages</b>	240	V AC 50 Hz
	230	V AC 50 Hz
	120	V AC 50/60 Hz
	42	V AC 50 Hz
	24	V DC 50 Hz
	24	V DC 50 Hz
	other voltages on request	
<b>Voltage tolerance</b>	+10% -15%	
<b>Duty cycle</b>	100%	
<b>Nominal power</b>	8,5 W	13 VA (AC only)
<b>Protection Type</b>	IP 00 up to IP 68	
<b>Coil connections</b>	flat tabs 6,3 x 0,8 mm plug socket according to EN 175301-803 (IP65), several cable connections (IP67, IP68)	
<b>Insulation class</b>	F	according to EN 60730
<b>Protection class</b>	I	according to EN 60730 (for incorporation in class I)

**MS.006**  
(IP00)



**MS.024**  
(IP65)



**MS.025**  
(IP67, IP68)





# **technische import**

Nijverheidsweg 11  
7005 AS Doetinchem  
T. +31 (0) 314-344342  
E. [info@bafa.nl](mailto:info@bafa.nl)

**BAFA.NL**