



**technische import**

# Productinformatie



**A.U.K. MÜLLER GMBH & CO. KG**

**BAFA.NL**

# Product Information

## Bi stable axial cartridge valve, DN 7



**A.u.K. Müller**

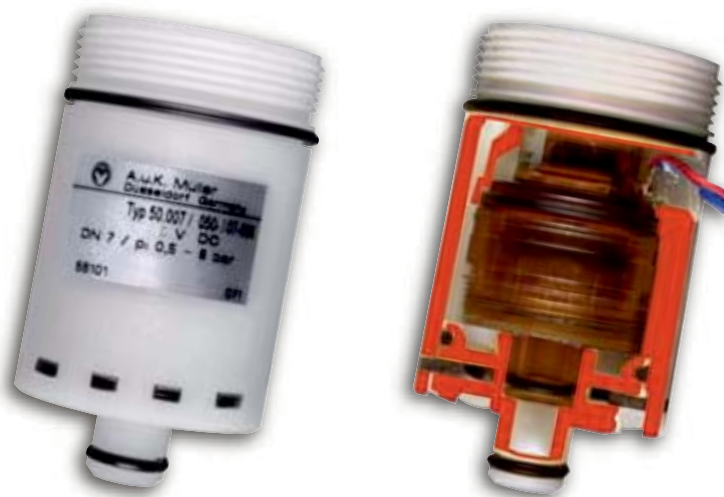
Solenoid valves  
Control valves  
Special valves and systems

A.u.K. Müller GmbH & Co. KG  
Dresdener Str. 162  
D-40595 Düsseldorf/Germany

Tel.: +49 211 7391-0  
Fax: +49 211 7391-281

e-mail: [info@akmueller.de](mailto:info@akmueller.de)  
Internet: [www.akmueller.de](http://www.akmueller.de)

### Series 050-B07-03X/-06X/-09X



Patented EP 0 936 317

### Characteristics

- servo-controlled
- pre tested functional unit
- long term performance capability
- internal triple pollution protection
- compact design
- optimized Cv-value for DN 7
- optimized water hammer characteristic by low noise emission according to EN 60730
- easy to assemble and service
- standard connection
- cylindrical design
- low power consumption
- any fitting position
- suitable for spray and jet water
- high operating safety through the use of high quality and 100% final testing of the products

### Applications

- sanitary fittings
- irrigation systems
- industrial appliances
- pilot system for valves with a larger nominal diameter

### Description

2/2-way solenoid cartridge servo controlled valve of DN 7 in bi stable version, to be used particularly in electronically controlled sanitary fittings.

The power consumption is minimised by the use of impulse control (pwm) to increase long term performance, durability and battery life.

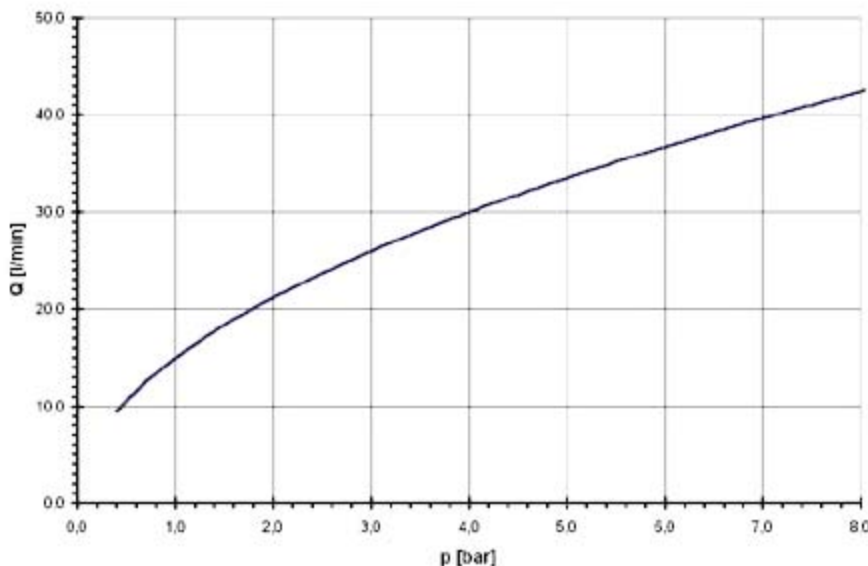
The design outline had been reduced so far, that integration in appropriate components while using a minimum amount of space, is given.

Positive properties are extended due to the simple "screw in" version, which supports easy assembly, service and tests by the customer.

The design of a separate valve seat by the customer is not to apply, as otherwise is needed, if a pilot valve will solely be used.

The rate of flow of the cartridge valve has been optimized in such a way, that the nominal diameter of DN 7 fulfils the standard requirements for sanitary tap ware.

typical performance curve



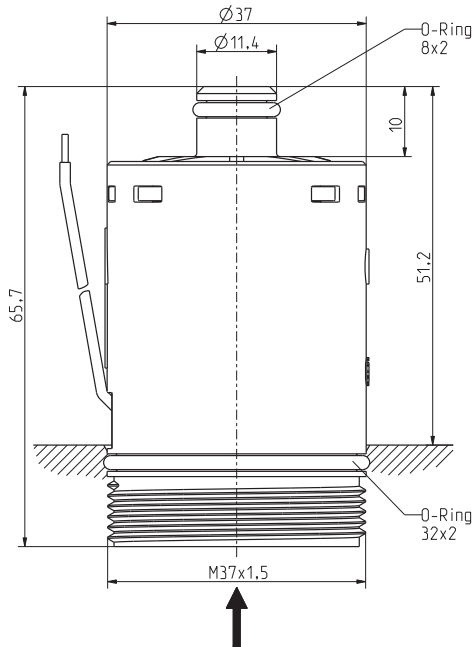
# Product Information

## Bi stable axial cartridge valve, DN 7



A.u.K. Müller

### Series 050-B07-03X/-06X/-09X

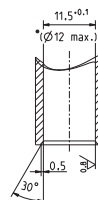


### Technical Data

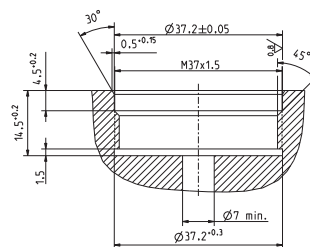
<b>Type</b>	2/2-way-cartridge valve	
<b>Construction</b>	screw-in, servo controlled	
<b>Function</b>	bi stable, pulse controlled	
<b>Connection</b>	thread M37 x 1,5	
<b>Fitting position</b>	any	
<b>Media</b>	cold and heated potable water and physically and chemically similar media	
<b>T-Medium</b>	5 - 70	°C.
<b>T-Ambient</b>	5 - 60	°C
<b>DN</b>	7	mm
<b>p-Operating</b>	0,5 - 8,0	bar
<b>Cv-value</b>	15	l/min
<b>Pressure surge</b>	according to EN 60730	
<b>Coil type</b>	MS.033	
<b>Nominal voltage</b>	3	V DC
	6	V DC
	9	V DC
	special voltage on request	
<b>Operating voltage</b>	2,2 - 3,3 DC open/close 4 - 6 V DC open/close 6 - 9 V DC open/close at T-Ambient: 25°C	
<b>Pulse shape/-time</b>		
<b>Nominal power</b>	0,5 - 1,2 W	
<b>Protection Type</b>	IP 65	higher IP-classes on request
<b>Insulation class</b>	F	according to EN 60730
<b>Protection class</b>	III	according to EN 60730

### Materials

<b>Valve body</b>	POM, PEI
<b>Plunger guide</b>	stainless steel
<b>Plunger</b>	stainless steel
<b>Membrane and sealings</b>	EPDM NBR (on request) VMQ (on request)
<b>Coil</b>	Plastics incl. "pot"-bracket
<b>Filter</b>	stainless steel (in inlet)
<b>Certification</b>	NSF, WRAS materials in contact with potable water are physiological harmless



Auslaufkontur



Einschraubkontur

### Options

Connection type	standard cable length
with leads and connector	100 mm
with leads	120 mm
connector	on request



# **technische import**

Nijverheidsweg 11  
7005 AS Doetinchem  
T. +31 (0) 314-344342  
E. [info@bafa.nl](mailto:info@bafa.nl)

**BAFA.NL**