



**technische import**

# Productinformatie



**A.U.K. MÜLLER GMBH & CO. KG**

**BAFA.NL**

## 2/2 way direct acting solenoid valve combinable, DN 1,5 - 5,0



**A.u.K. Müller**

Solenoid valves  
Control valves  
Special valves and systems

A. u. K. Müller GmbH & Co. KG  
Dresdener Str. 162  
D-40595 Düsseldorf/Germany

Tel.: +49(0)211-7391-0  
Fax: +49(0)211-7391-281

e-mail: [info@akmueller.de](mailto:info@akmueller.de)  
Internet: [www.akmueller.de](http://www.akmueller.de)

### series 43.00x.xx6



PEI



PEEK

### Characteristics

- direct acting
- 3 dimensional assembly possible
- mechanical connection of different hydraulic resp. pneumatic systems possible
- long term performance capability
- easy to assemble and service
- suitable for food and hot water appliances
- any fitting position
- high operating safety through the use of high quality and 100% final testing of the products
- pre-configured valve combinations on request

### Applications

- hot / cold drink dispensers
- medical equipment
- automatic welding equipment
- industrial appliances

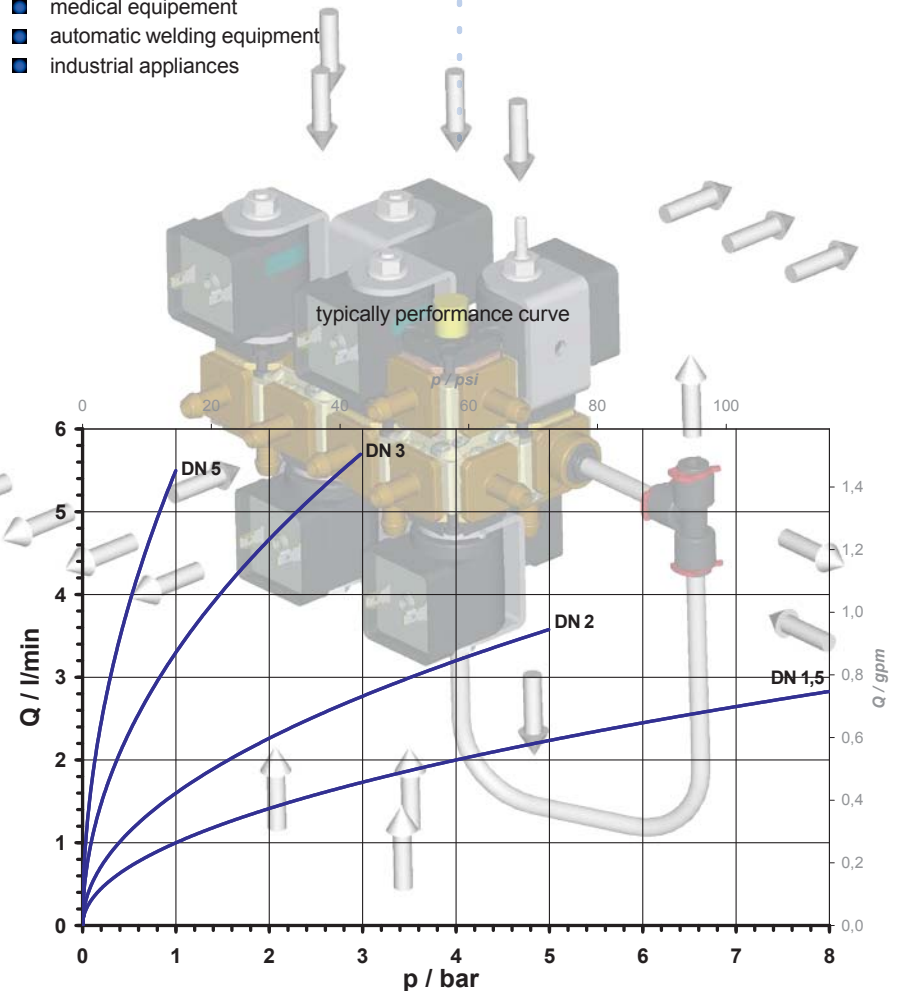
### Description

The 2/2 way modular solenoid valves are direct acting in operation and have orifice sizes ranging from 1.5 mm up to 5 mm. 3/2 way versions with a 1.5 mm port through the coil are also available on request.

Due to its compact size, complex multi-valve assemblies with multiple medium channels are possible in applications where space is at a premium.

The two piece valve body consists of a polyamide outer frame and an internal core which handles the medium. This part can be manufactured in high performance, plastics including PEI and PEEK, to enable use with higher temperature media.

A large variety of fittings are available which clip into the valves to form inlets, outlets and multi valve connectors. These include various sizes of hose, threaded, push-fit and blanked options for endless possibilities.



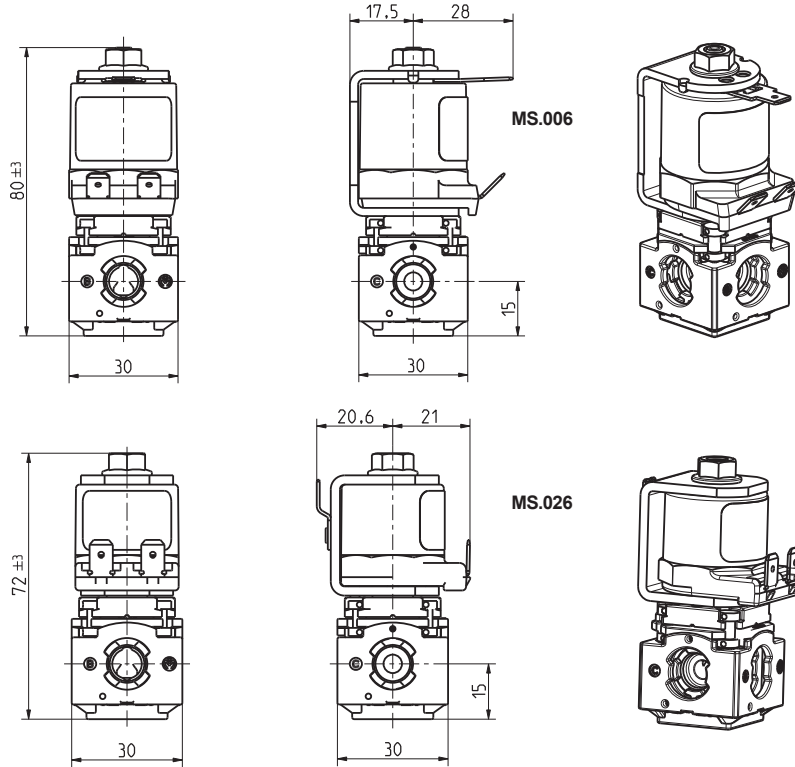
# Product

2/2 way direct acting solenoid valve  
combinable, DN 1,5 - 5,0



A.u.K. Müller

## series 43.00x.x06



## Technical Data

<b>Type</b>	modular valve	
<b>Construction</b>	direct acting	
<b>Function</b>	NC (normally closed)	
<b>Fitting position</b>	any	
<b>Media</b>	potable water and physically and chemically similar media	
<b>T-Medium</b>	98	°C max.
<b>T-Ambient</b>	70	°C max.

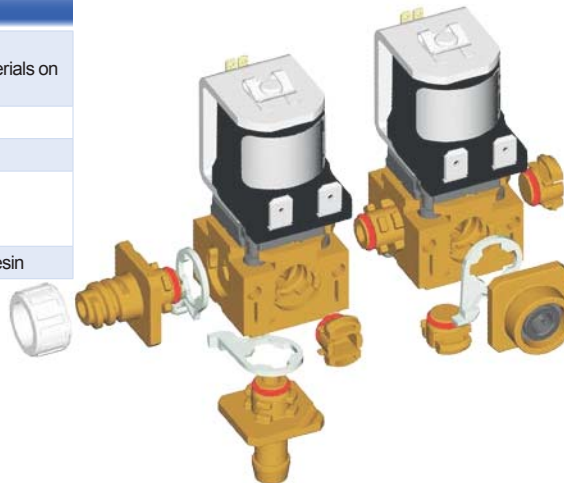
DN	Cv-value	p-Operating
mm	l/min	bar
1,5	1	0 - 8,0
2	1,6	0 - 5,0
3	3,3	0 - 3,0
5	5,5	0 - 1,0

<b>Coil type</b>	MS.006 or MS.026		
<b>Nominal voltage</b>	230	V AC	50/60 Hz
	110	V AC	50/60 Hz
	24	V AC	50/60 Hz
	24	V DC	50/60 Hz
	other voltages on request		

<b>Voltage tolerance</b>	+10% -15%		
<b>Duty cycle</b>	100%	MS.006	
	50%	MS.026	
<b>Nominal power</b>	10,2 W	18 VA MS.006	
	10,0 W	15 VA MS.026	
<b>Protection Type</b>	IP 00	higher IP-classes on request	
<b>Coil connections</b>	flat tabs 6,3 x 0,8 mm		
<b>Insulation class</b>	F	according to EN 60730	
<b>Protection class</b>	III	according to EN 60730 (for incorporation in class I)	

## Materials

<b>Valve body</b>	PEI PEEK and other materials on request
<b>Plunger guide</b>	stainless steel
<b>Plunger</b>	stainless steel
<b>Membrane and sealings</b>	EPDM NBR on request FPM on request
<b>Coil coating</b>	PBT, PET or epoxy resin



Connection system patented EP 1 321 698

## Options

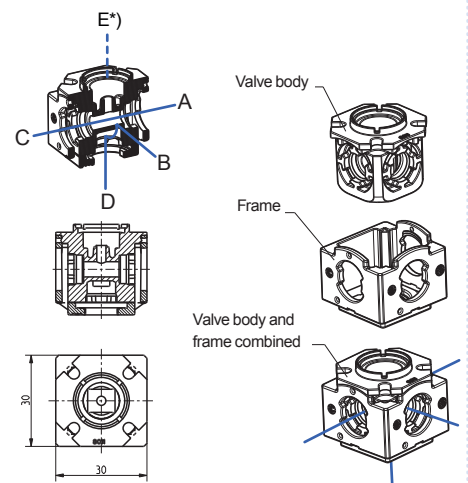
on request  
medium separated version  
E\*) 3/2-way version  
valve body: PEEK

Flow paths in normally closed valves:

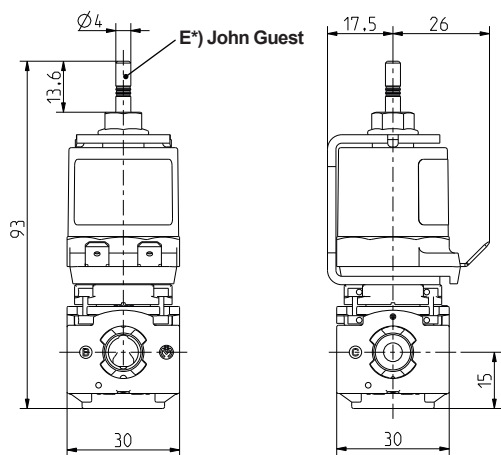
When a 2/2 way valve is closed, the medium paths C-A and B-D are separated by the membrane. The 3/2 way valve has an additional port (E\*) which connected to the B-D medium path.

When the valve is opened medium moves freely between C-A and B-D medium paths. In the 3/2 way version, opening the valve closes port (E\*)

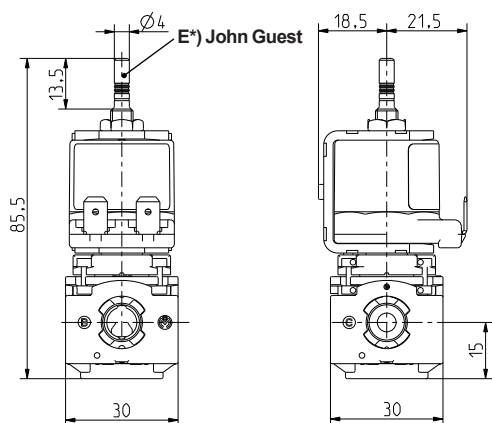
valve closed: C-A ; B-D-E\*) separate  
valve opened: C-A-B-D



on request  
3/2-way version



MS.006



MS.026

## Technical Data

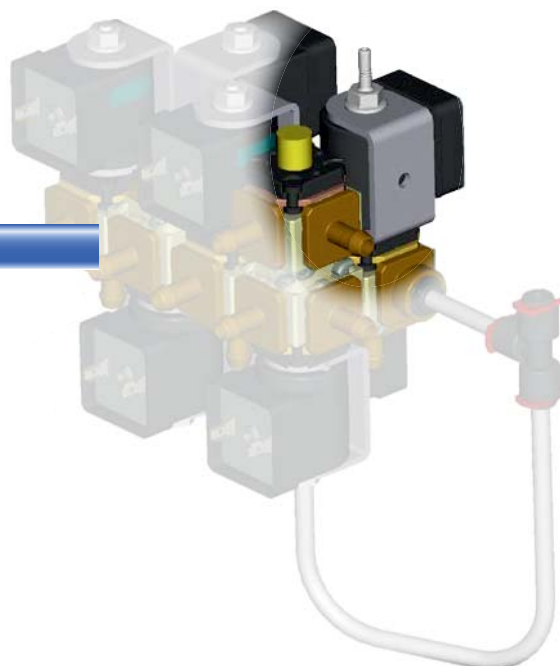
<b>Type</b>	modular valve	
<b>Construction</b>	direct acting	
<b>Function</b>	3/2-way	
<b>Fitting position</b>	any	
<b>Media</b>	potable water and physically and chemically similar media	
<b>T-Medium</b>	98	°C max.
<b>T-Ambient</b>	70	°C max.

DN	Cv-value	p-Operating
mm	l/min	bar
1,5	1	0 - 8,0
2	1,6	0 - 5,0
3	3,3	0 - 3,0
5	5,5	0 - 1,0

<b>Coil type</b>	MS.006 or MS.026	
<b>Nominal voltage</b>	24	V DC
	other voltages on request	
<b>Voltage tolerance</b>	+10% -15%	
<b>Duty cycle</b>	100% 50%	MS.006 MS.026
<b>Nominal power</b>	10,2 W 10,0 W	18 VA MS.006 15 VA MS.026
<b>Protection Type</b>	IP 00	higher IP-classes on request
<b>Coil connections</b>	flat tabs 6,3 x 0,8 mm	
<b>Insulation class</b>	F	according to EN 60730
<b>Protection class</b>	III	according to EN 60730 (for incorporation in class I)

## Options

E\*) John Guest Ø4  
G 1/8, orifice size 2 mm Ø or less on request



Interconnection- and Connection parts  
Material: PEI



A.u.K. Müller

Image	Drawing	Description	part no.
		nozzle connection	007295
		nozzle connection	007294
		nozzle connection	007318
		nozzle connection	007317
		threaded connection open	007282
		threaded connection closed	007283
		adapter connection John Guest for tube Ø 6mm (max. T-medium and T-ambient 65 ° C)	007584
		adapter connection John Guest for tube Ø 8mm (max. T-medium and T-ambient 65 ° C)	007585

# Interconnection- and Connection parts

Material: PEI



A.u.K. Müller

Image	Drawing	Description	part no.
		boiler connection open	006812
		boiler connection with double-sided anti-twist flattening on thread	006690
		boiler connection closed	007308
		fixing nut	007307
		coupling open	007289
		coupling closed	007339
		cover plate	009206
		closure	007284
		clamp	006732



# **technische import**

Nijverheidsweg 11  
7005 AS Doetinchem  
T. +31 (0) 314-344342  
E. [info@bafa.nl](mailto:info@bafa.nl)

**BAFA.NL**