



technische import

Productinformatie



A.U.K. MÜLLER GMBH & CO. KG

BAFA.NL

Flow regulator *Product Information*



A.u.K. Müller

Solenoid valves
Control valves
Special valves and systems

A.u.K. Müller GmbH & Co. KG
Dresdener Str. 162
D-40595 Düsseldorf/Germany

Tel.: +49 211 7391-0
Fax: +49 211 7391-281

e-mail: info@akmueller.de
Internet: www.akmueller.de

Series MR

MR04  Tm: 65 °C (149 °F) max.

MR05  Tm: 65 °C (149 °F) max.

MR06  Tm: 65 °C (149 °F) max.

MR07  Tm: 65 °C (149 °F) max.

MR12  Tm: 90 °C (194 °F) max.

MR19  Tm: 98 °C (208 °F) max.

Characteristics

- reduced water consumption
- constant flow rate
- reduced decrease of pressure in water conduits used by several consumers
- compensation of pressure surge

Applications

- solenoid valves
- sanitary faucets
- instantaneous water heaters
- vending machines
- eye wash

Description

Flow regulators maintain a defined flow independent from the supplies pressure. They are recommended to ensure a uniform distribution of water also in case of pressure fluctuations.

Pressure differences might be caused by level differences in multistorey buildings as well as if showers are taken simultaneously e.g. in commercial shower applications.

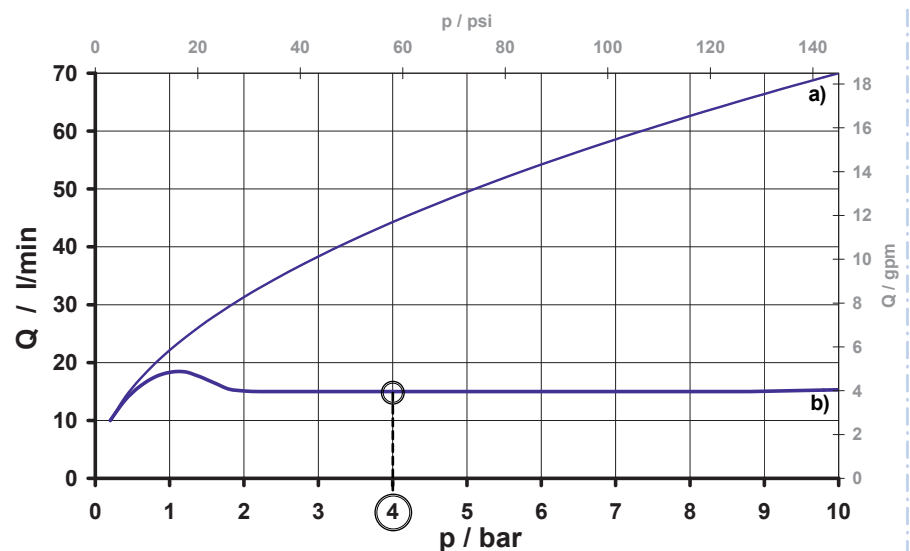
Flow regulators are usually installed directly into the inlet of faucets, flow heaters, solenoid valves, or similar. Depending on the valves design, they can be placed in the inlet, in the valve seat or in the outlet nozzle.

In a lot of applications flow limitations are already standard (e.g. 6 l/min or 8 l/min for faucets).

In addition to the constant water supply, the user saves water while keeping the accustomed comfort using washstand or shower.

typical performance curve

a) without flow regulator
b) with flow regulator
nominal flow rate defined at 4 bar





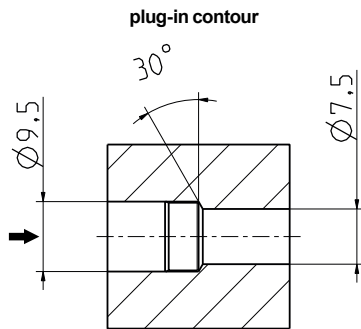
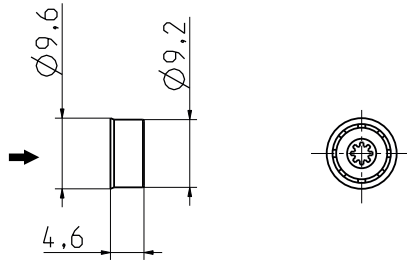
MR 05

Ø 9,5 mm (for G 3/8 and G 1/2 valve inlet / angled valve with seat DN 10 / plug-in contour)

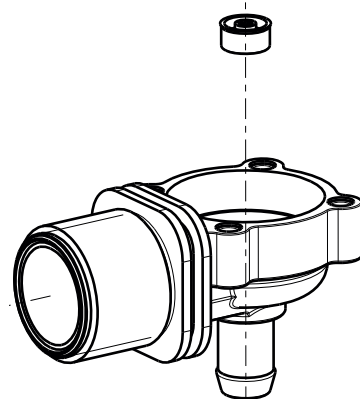
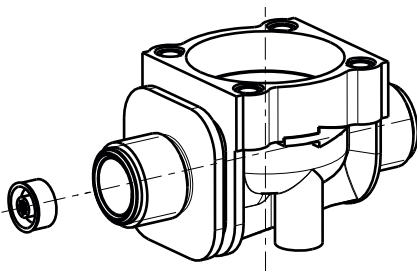
star-shaped regulating element: POM
socket: POM
regulating element / elastomer: EPDM

p-operating: 1 - 10 bar
T-medium: 65 °C max.

nominal flow rate at 4 bar



Q [l/min]	Q [USgal/min]	tolerance	Id.-No.	outlet side view inlet	color code
0,5	0,13	± 50%	003387		yellow
1,0	0,26	± 30%	004703		pink
1,4	0,37	± 25%	003174		light blue
1,9	0,50	± 25%	004275		black
2,5	0,66	± 20%	003175		green
3,0	0,79	± 20%	004184		purple
3,5	0,93	± 20%	004830		dark blue
5,0	1,32	± 20%	003084		red
8,0	2,11	± 20%	003176		white
9,0	2,38	± 20%	004756		orange





technische import

Nijverheidsweg 11
7005 AS Doetinchem
T. +31 (0) 314-344342
E. info@bafa.nl

BAFA.NL