



bafa

technische import

Produkt informatie

COSTER

COSTER T.E.

TWO-PORT BUTTERFLY VALVES PN 6 (10...110 °C)



2 F Eng.

- Opens-Closes (On-Off) shut-off valve
- 90° rotation angle
- PN 6 (ISO 2084) flanged connections
- Working temperature: 10...110°C

1. APPLICATION

2 F valves are designed for use as water flow shut-off valves where a watertight seal is not essential and a slight let by can be permitted.
For example, in heating plants they can be used in boiler sequencing systems as shut-off valves for the boilers or as shut-off valves in secondary circuits.

2. MODELS

Code	DN mm	Kvs ⁽¹⁾ m ³ /h	Suitable actuators	
			CVC	CVH
			kPa ⁽²⁾ (bar)	kPa ⁽²⁾ (bar)
2F DN 50	50	100	150 (1.5)	300 (3.0)
2F DN 65	65	160	150 (1.5)	300 (3.0)
2F DN 80	80	280	—	300 (3.0)
2F DN 100	100	450	—	300 (3.0)
2F DN 125	125	700	—	200 (2.0)
2F DN 150	150	1200	—	200 (2.0)
2F DN 175	175	1800	—	200 (2.0)
2F DN 200	200	2300	—	200 (2.0)

(1) : Kvs – Flow coefficient: flow in m³/h with valve open and pressure drop of 100 kPa.

(2) : Maximum pressure differential permitted by actuator (Δp max).

100 kPa = 10 mWG = 1 bar

3. TECHNICAL DATA

Nominal pressure	6 bar	Materials :	
Test pressure	10 bar	valve body	G 25 cast iron
Rotation angle	90°	internal butterfly	brass
Let by	0.3...0.8 % Kvs	spindle	stainless steel
Fluid temperature	10...110 °C	spindle gasket	Viton O-ring
		butterfly gasket	Teflon ring (up to DN 150)

4. MOUNTING

Before installing the valve make sure that in the pipework there is no extraneous material such as residues from soldering or threading. The pipework must not be subject to vibrations and must be perfectly aligned with the valve connections so that no dangerous stresses are created.

The valve can be installed in any position except that with the spindle pointing downwards.

5. CONSTRUCTION

The valve body is made of G25 cast iron, the butterfly rotor in brass and the spindle in stainless steel.

The spindle is rendered watertight by means of a Viton O-Ring. A self-centering Teflon ring, positioned in a seat on the outside circumference of the butterfly disk, serves to reduce to a minimum leakage from the valve (only for models up to DN 150).

There are no limit stops for the butterfly which can therefore rotate over 360°.

6. OPERATION

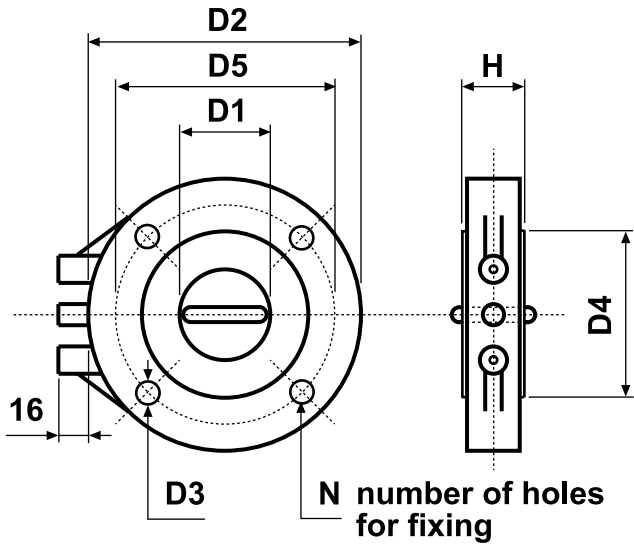
The valve is fitted with a handle for manual control, but it can be motorised using, according to its size, actuators of the CVC or CVH series.

On the portion of the spindle protruding from the valve can be seen:

- the milling for the correct positioning of the actuator coupling,
- a line indicating the position of the butterfly; particularly useful when the valve as been installed.
- a plate which indicates the position of the butterfly when the actuator as been attached.

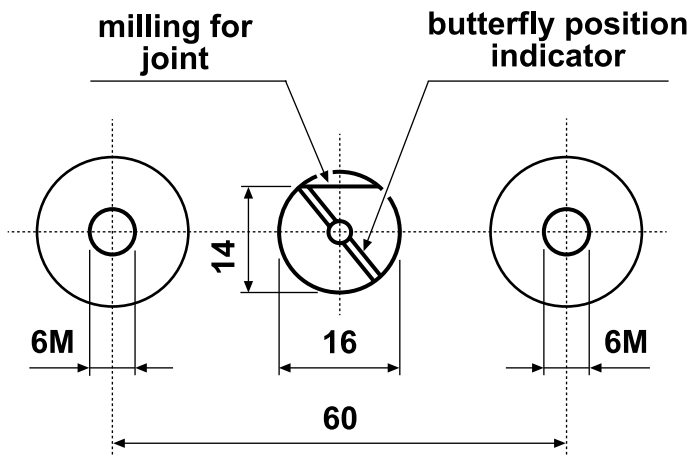
A red and a blue indicator, which, when correctly positioned, show the position of the valve.

7. OVERALL DIMENSIONS

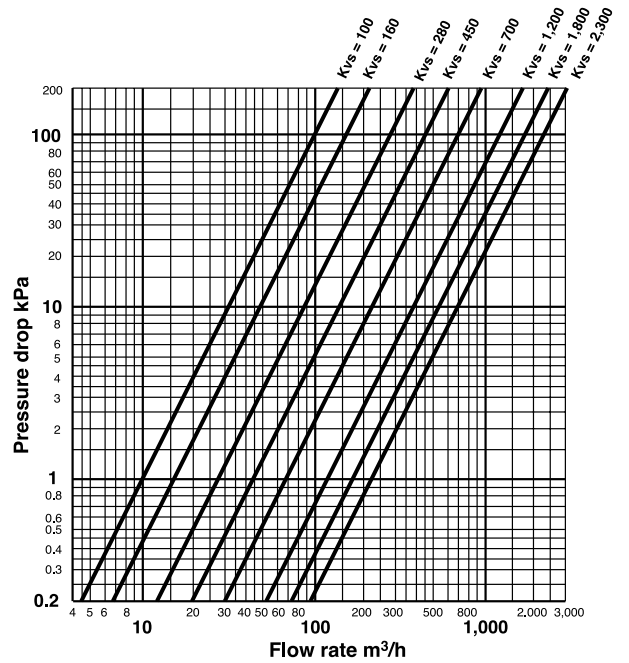


Model	D1 mm	D2 mm	D3 mm	D4 mm	D5 mm	H mm	N n°
KW... 50	51	140	14	91	110	35	4
KW... 65	67	160	14	107	130	35	4
KW... 80	82	192	18	122	150	35	4
KW... 100	100	210	18	140	170	35	4
KW... 125	125	240	18	165	200	45	8
KW... 150	150	265	18	190	225	45	8
KW... 175	175	295	18	215	255	60	8
KW... 200	200	320	18	240	280	60	8

8. ACTUATOR COUPLING



9. PRESSURE DROP



100 kPa = 10 mWG = 1 bar

