



technische import

Produkt informatie



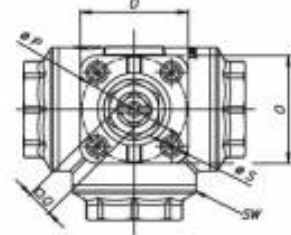
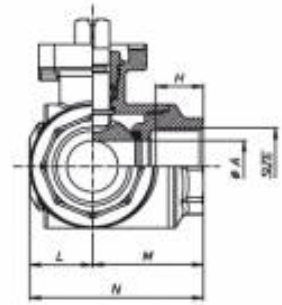
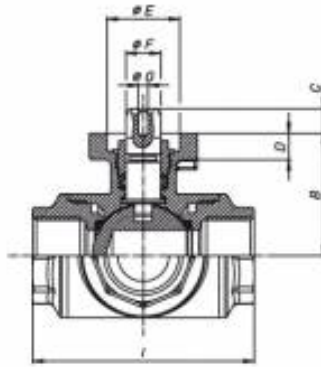
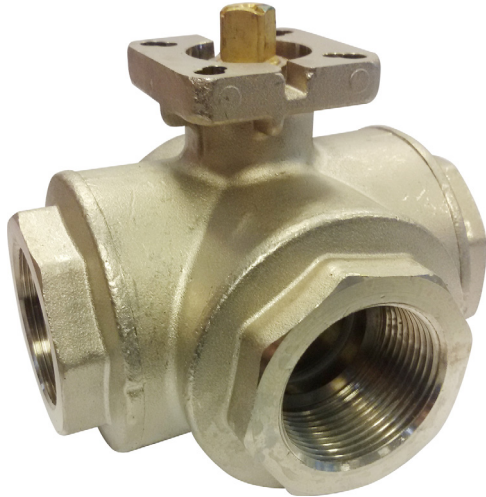
ENOLGAS



ENOLGAS

3-WAY BALL VALVE - BALL O MATIC - S1070

3-way ball valve, full bore with T-port.



Size	1/4"	3/8"	1/2"	3/4"	1"	1"1/4	1"1/2	2"
ϕA bore	8	10	15	20	25	32	40	50
B mm	38	38	38	42	46,5	61,5	63,5	74
C mm	9	9	9	9	9	11	11	14
D mm	9	9	9	9	9	10	10	12
ϕE H8	25	25	25	25	25	30	30	35
ϕF	10,8	10,8	10,8	11,9	11,9	13,9	13,9	17,9
ϕG	M4	M4	M4	M4	M4	M4	M4	M5
H mm	15	15	15	16,3	19,1	21,4	21,4	25,7
I mm	64,5	64,5	64,5	76	97	118	135	157
L mm	17	17	17	21,5	26	36	37,5	43
M mm	32,5	32,5	32,5	38	48,5	59	67,5	78,5
N mm	49,5	49,5	49,5	59,56	74,5	95,5	105	121,5
O mm	37	37	37	37	42	48	48	48
ϕP	F3	F3	F3	F3	F3-F4	F4-F5	F4-F5	F5
Q	9	9	9	9	9	11	11	14
ϕS	5,5	5,5	5,5	5,5	5,5	5,5-6,5	5,5-6,5	6,5
SW mm	25	25	25	31	41	55	55	67
ISO FLANGE	F03	F03	F03	F03	F03/F04	F04/F05	F04/F05	F05

TYPE	SPECIFICATIONS
S1070N32	3-way ball valve, full bore with T-port. - 1/4"
S1070N33	3-way ball valve, full bore with T-port. - 3/8"
S1070N34	3-way ball valve, full bore with T-port. - 1/2"
S1070N35	3-way ball valve, full bore with T-port. - 3/4"
S1070N36	3-way ball valve, full bore with T-port. - 1"
S1070N37	3-way ball valve, full bore with T-port. - 1"1/4
S1070N38	3-way ball valve, full bore with T-port. - 1"1/2
S1070N39	3-way ball valve, full bore with T-port. - 2"



ENOLGAS

MATERIAL SPECIFICATIONS 3-WAY BALL O MATIC

CHARACTERISTICS BALL O MATIC 3 WAY

BALL-O-MATIC 3 way valves are in brass, heavy and appositely designed to be easily and quickly combined with an actuator. Wear resistant, made up of solid and long-lasting materials. Connections to actuators according to ISO 5211. TECHNICAL FEATURES Full bore, 4 gaskets.

THREADS

Ends are UNI EN 10226 - NPT threaded.
ISO 228 - BSPT on request.

WORKING PRESSURES

From PN 40 (1/4") to PN 25 (2").

TEMPERATURE LIMITS

- 20°C + 130°C (valve).
- 20°C + 100°C (pre-insulated valve).
- 20°C + 70°C (actuator).

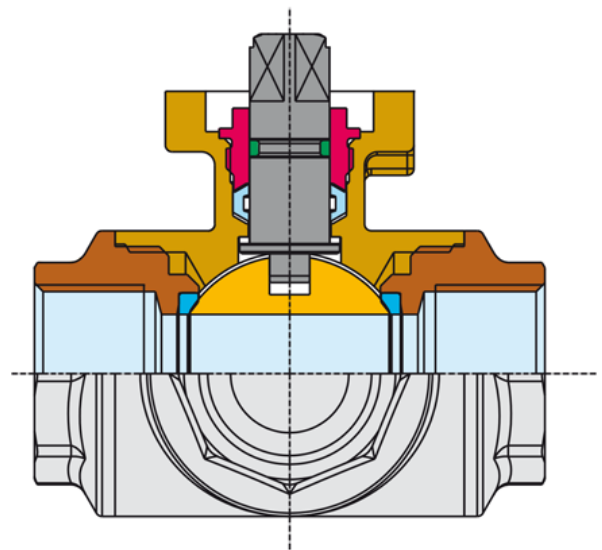
Mounting kit and heaters shall be used with presence of humidity or condensation.

APPLICATIONS

BALL-O-MATIC 3 way valves are suitable for applications with hot and cold water, compressed air, oils, hydrocarbons and non-corrosive fluids. For any special uses see the table of chemical resistance.

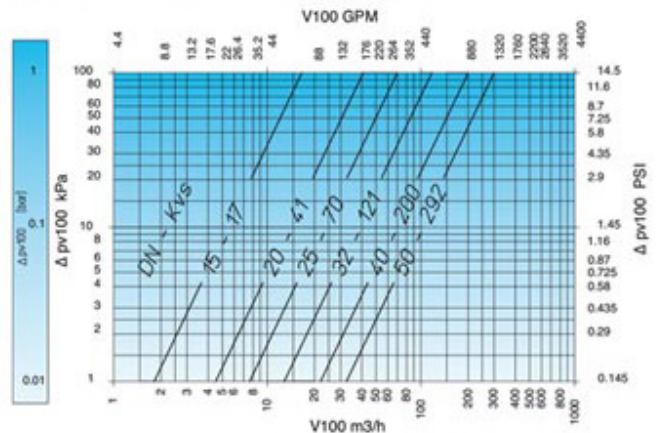
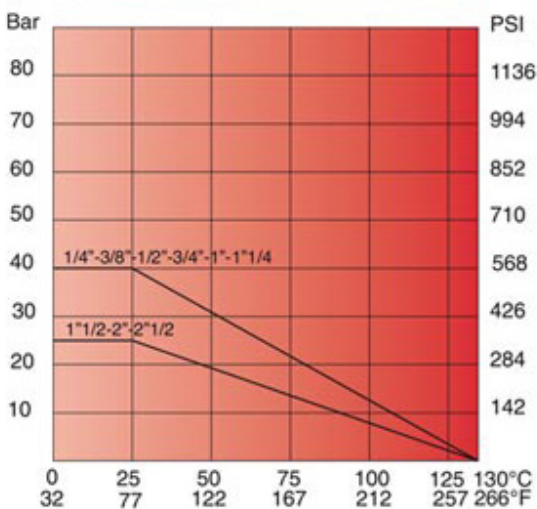
BALL POSITION

Ball position can be identified by referring to the notches shown in the stem. The lever can be positioned in 4 different sectors, as shown in the following chart:



- | | |
|--|---|
| <ul style="list-style-type: none"> 1 BODY
OW 617 N UNI EN 12165 2 END ADAPTER
OW 617 N UNI EN 12165 3 BALL
OW 614 N UNI EN 12164 4 BALL GASKETS
P.T.F.E. 5 STEM
OW 614 N UNI EN 12164 | <ul style="list-style-type: none"> 6 O-RING
ELASTOMER 7 GLAND
OW 614 N UNI EN 12164 8 THRUST WASHER
P.T.F.E. 9 STEM GASKET
P.T.F.E. |
|--|---|

MISURA	-	1/4"	3/8"	1/2"	3/4"	1"	1 1/4"	1 1/2"	2"
DN	-	8	10	15	20	25	32	40	50
PN	-	40	40	40	40	40	40	25	25
Kv	H20	5,9	9,4	17	41	70	121	200	292
COPPIA DI SPUNTO MAX	A PN 0 T 25°C	5 Nm	5 Nm	5 Nm	6,5 Nm	9,5 Nm	15 Nm	25 Nm	30 Nm



For more than 50 years Enolgas has been synonymous with reliability, quality and safety.



technische import