



technische import

Productinformatie



FRATELLI PETTINAROLI

BAFA.NL



DESCRIPTION

240NT

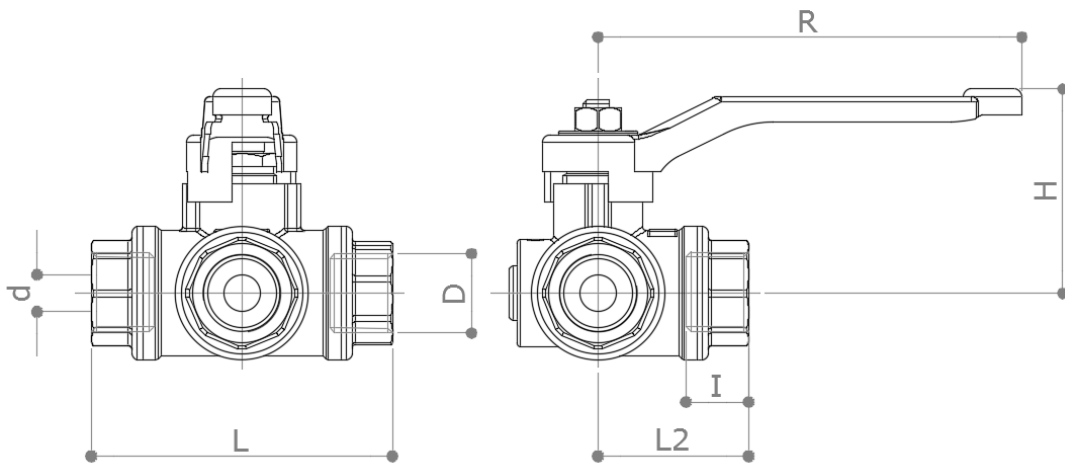
F x F x F 3 way ball valve ball valve. Reduced bore compared to nominal diameter.

4 seats.

Ball position identifier on the handle.

Reversible red aluminum handle. Manoeuvre angle: 90°

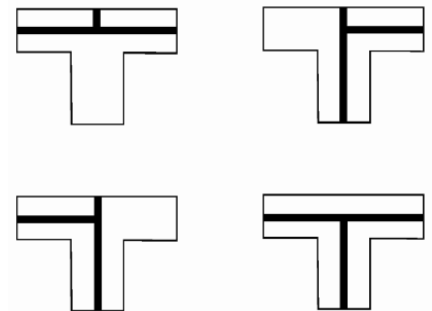
DIMENSIONS



| D | 3/8" | 1/2" | 3/4" | 1" | 1 1/4" | 1 1/2" | 2" |
|------------|------|------|------|------|--------|--------|-------|
| d | 10 | 10 | 15 | 20 | 23.5 | 28.5 | 32 |
| % of ND* | 100% | 66% | 75% | 80% | 73% | 71% | 64% |
| H | 52 | 52 | 55.5 | 64 | 76.5 | 93.5 | 103.5 |
| I | 18 | 17 | 18.5 | 20 | 23.5 | 28.5 | 32 |
| L | 76 | 82 | 90 | 106 | 120 | 142 | 165 |
| L2 | 38 | 41 | 45 | 53 | 60 | 72 | 82.5 |
| R | 115 | 115 | 115 | 150 | 150 | 240 | 240 |
| Weight [g] | 650 | 655 | 840 | 1430 | 2030 | 3750 | 5650 |

T CONFIGURATION OF THE BALL

Ball with 3 bores, with T configuration. Removing the handle, the ball can be placed to one of the 4 positions below. Assemble the lever with the suitable orientation and place the identification device according to the bores direction.



Dimensions in mm / *ND = Nominal Diameter

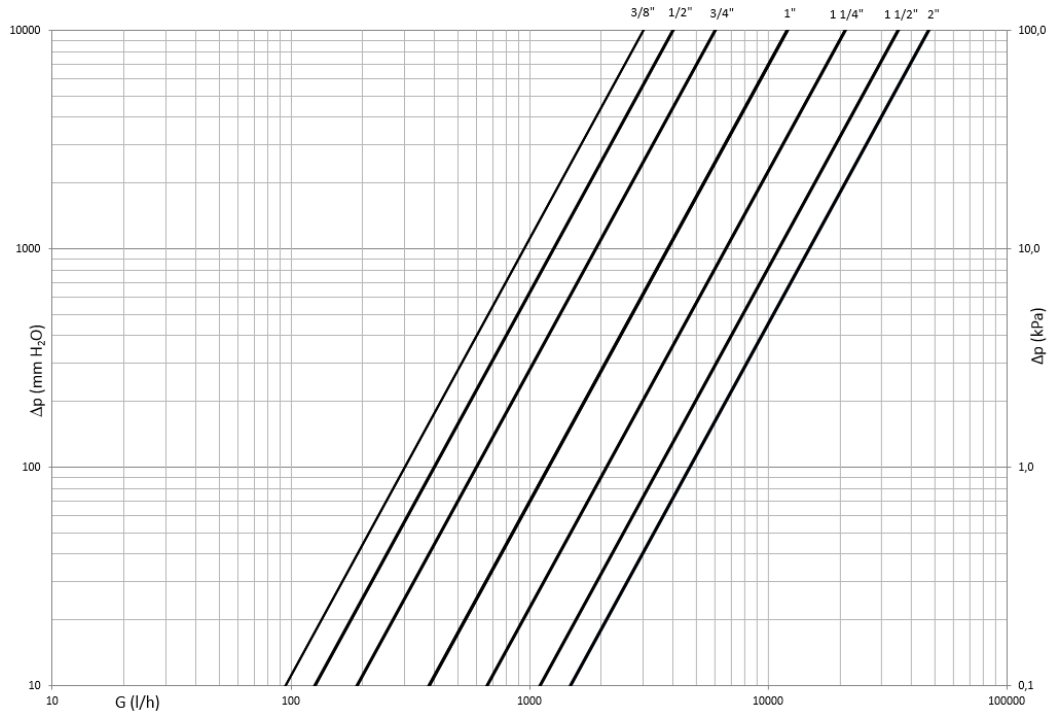
All threads are conform to ISO 228 standard

MATERIALS

| | |
|---------------------|---|
| Body | CW617N (EN 12165) CuZn40Pb2 |
| Ball | CW614N (EN 12164) CuZn39Pb3 Chrome plated |
| Stem | CW614N (EN 12164) CuZn39Pb3 |
| Stuffing box | CW614N (EN 12164) CuZn39Pb3 Adjustable |
| Seat | 4 x PTFE + 1 x PTFE seal on the stem** |
| O-Rings | 4 x FKM + 1 x FKM on the stem |
| Handle | Aluminum with red plastic cover |

**PTFE seat absent on 1 1/2" and 2" sizes (watertight seal ensured by double O-Ring)

PRESSURE DROP DIAGRAM



| Dim. | 3/8" | 1/2" | 3/4" | 1" | 1 1/4" | 1 1/2" | 2" |
|------|------|------|------|----|--------|--------|----|
| Kv | 3 | 4 | 6 | 12 | 21 | 35 | 47 |
| PN | 35 | 35 | 35 | 35 | 28 | 28 | 28 |

RECOMMENDED WORKING TEMPERATURE/PRESSURE LIMITS

28 bar – 100°C – non shock

APPROVALS





technische import

Nijverheidsweg 11
7005 AS Doetinchem
T. +31 (0)314-344342
E. info@bafa.nl

BAFA.NL