



technische import

Productinformatie



FRATELLI PETTINAROLI

BAFA.NL



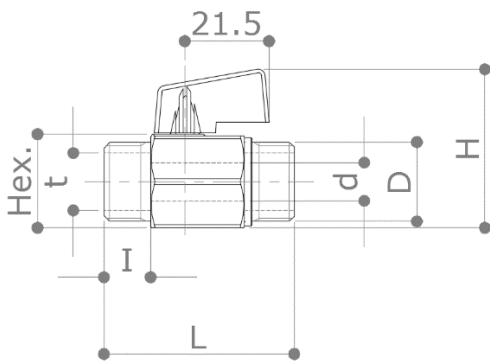
DESCRIPTION

378

M x M nickel plated mini ballvalve.
Black lever

Conform to **EN 13828**

DIMENSIONS



D	1/4"	3/8"	1/2" f. 15 mm.
Hex.	20	20	24
d	8	8	10
t	8	12	15
H	38	38	42
I	10	10	12
L	40	42	50
Weight [g]	80	90	120

Dimensions in **mm**

All threads are conform to ISO 7 or ISO 228 standards

MATERIALS

Body	CW617N (EN 12165) CuZn40Pb2
Ball	CW617N (EN 12165) CuZn40Pb2 Chrome plated
Stem	CW617N (EN 12165) CuZn40Pb2
Stuffing box	CW617N (EN 12165) CuZn40Pb2
Seat	1 x PTFE
O-Rings	EPDM - PEROX
Handle	ABS

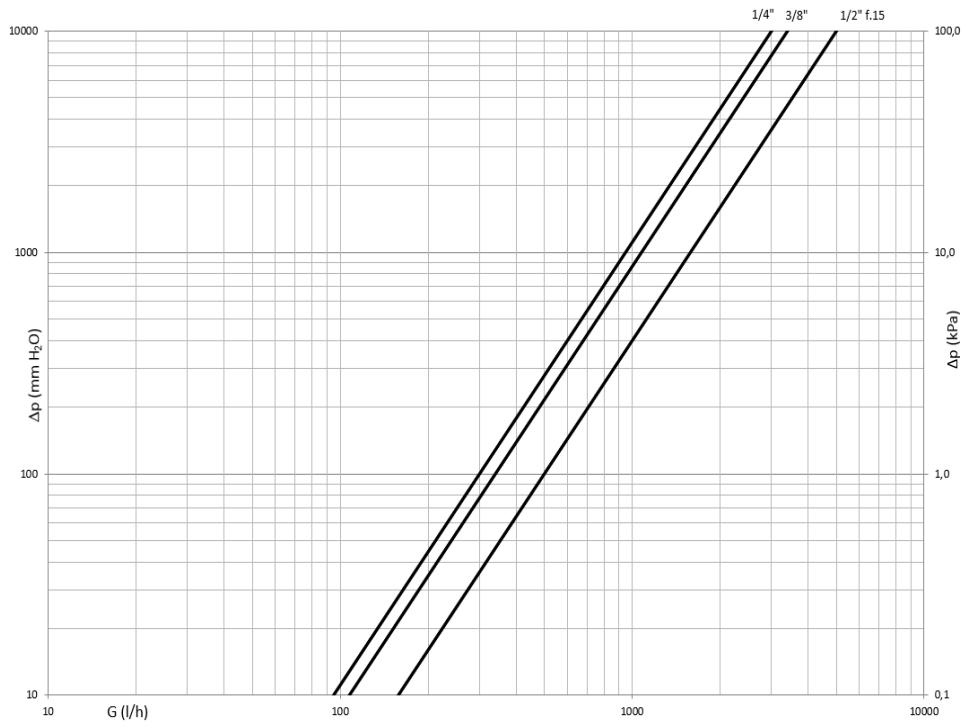
APPROVALS



RECOMMENDED WORKING TEMPERATURE/PRESSURE LIMITS

10 bar – 80°C – non shock

PRESSURE DROP DIAGRAM



Dim.	1/4"	3/8"	1/2"
Kv	3	3.4	5
PN	10	10	10



technische import

Nijverheidsweg 11
7005 AS Doetinchem
T. +31 (0)314-344342
E. info@bafa.nl

BAFA.NL