



**technische import**

# Productinformatie



FRATELLI PETTINAROLI

**BAFA.NL**



## DESCRIPTION

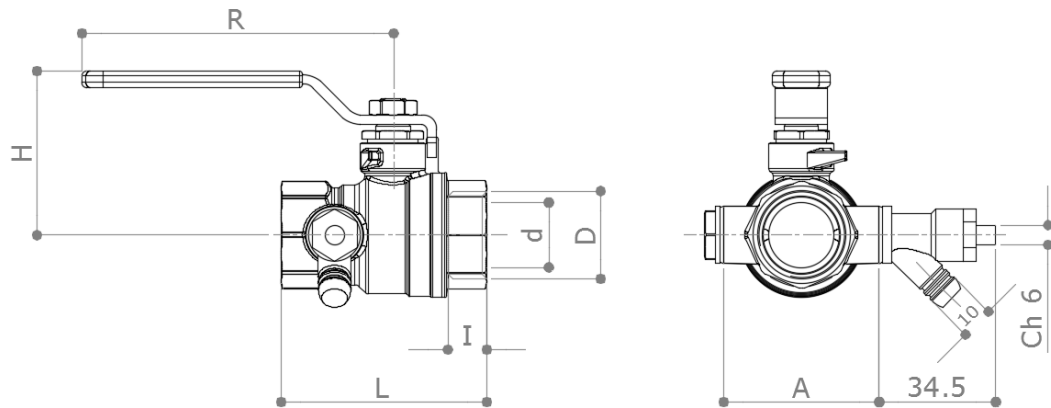
# 51CSR

Nickel plated F x F full-flow ball valve, with thread ¼" drain off which can be installed on both the valve sides. Unused exit is plugged by the supplied cap.

Red steel handle.

Conform to **EN 13828**

## DIMENSIONS



D	½"	¾"	1"	1 ¼"	1 ½"
d	15	20	25	32	40
H	39	49	61	66	82
I	12	13	14	16.5	17.5
L	53	63	73	87	99
R	75	95	120	120	150
A	43	48	56	65	74
Weight [g]	255	410	590	920	1270

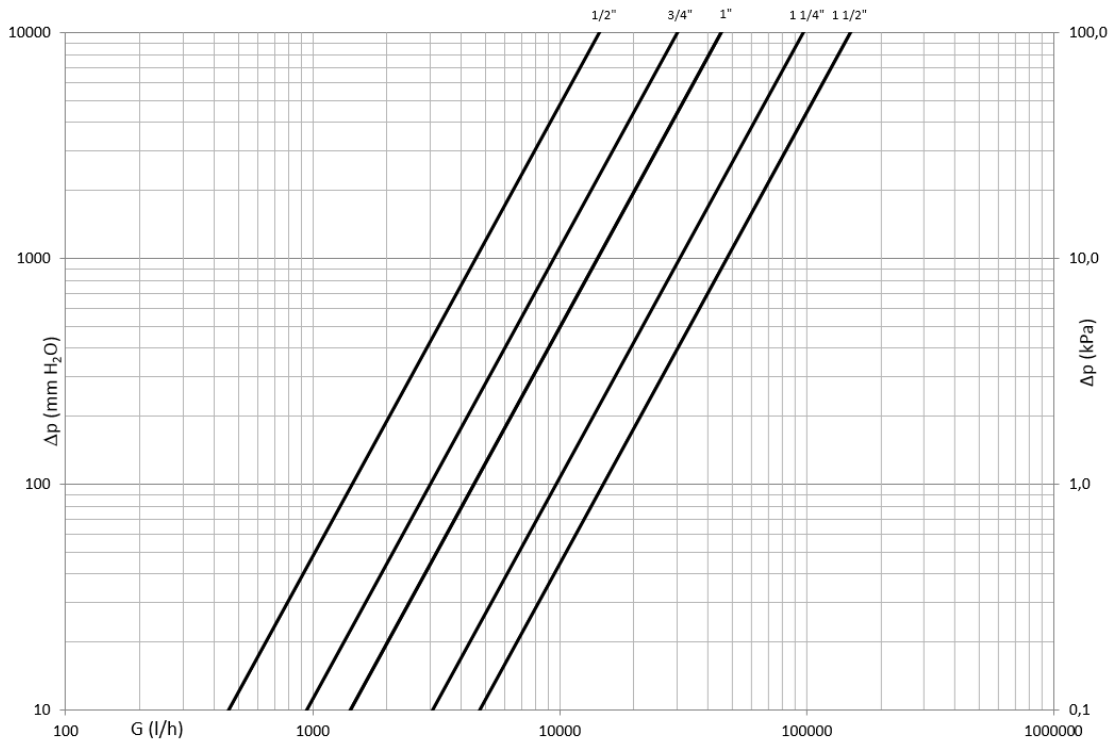
Dimensions in **mm**

All threads are conform to ISO 7 or ISO 228 standards

## MATERIALS

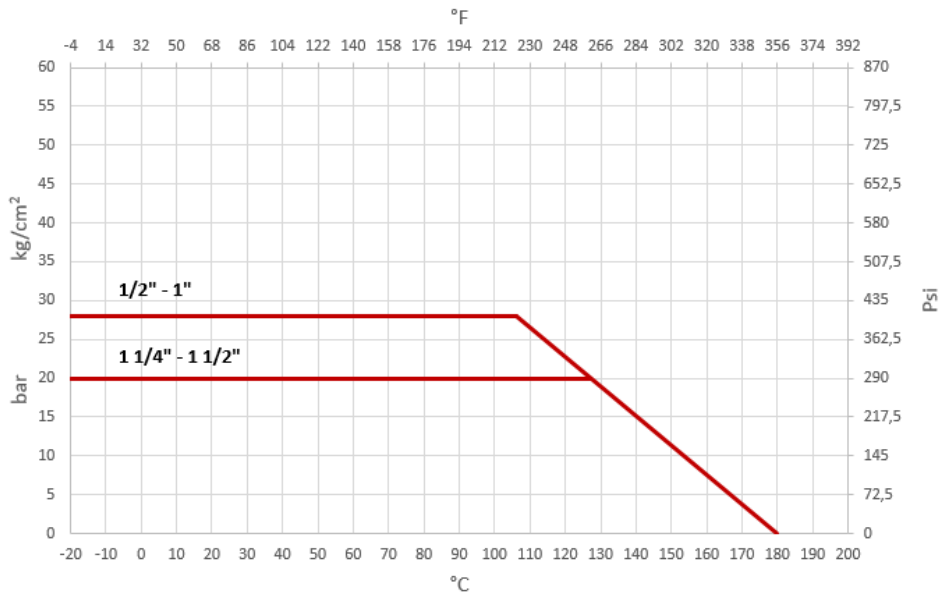
<b>Body</b>	CW617N (EN 12165) CuZn40Pb2
<b>Ball</b>	CW617N (EN 12165) CuZn40Pb2 Chrome plated
<b>Stem</b>	CW614N (EN 12164) CuZn39Pb3
<b>Stuffing box</b>	CW614N (EN 12164) CuZn39Pb3 Adjustable
<b>Drain-off</b>	CW617N (EN 12165) CuZn40Pb2
<b>Cap</b>	CW614N (EN 12164) CuZn39Pb3
<b>Seat</b>	2 x PTFE + 1 x PTFE seal on the stem
<b>O-Rings</b>	2 x FKM
<b>Cap and drain-off seal</b>	2 x fiber
<b>Handle</b>	Delta Protect coated steel. PVC grip with "Pad printing"

**PRESSURE DROP DIAGRAM**



Dim.	½"	¾"	1"	1 ¼"	1 ½"
Kv	14.5	30	45	97	150
PN	28	28	28	20	20

**TEMPERATURE / PRESSURE DIAGRAM**



**RECOMMENDED WORKING TEMPERATURE/PRESSURE LIMITS**

30 bar – 100°C – non shock (1/2" – 1")  
 10 bar – 150°C – non shock

**APPROVALS**





# **technische import**

Nijverheidsweg 11  
7005 AS Doetinchem  
T. +31 (0) 314-344342  
E. [info@bafa.nl](mailto:info@bafa.nl)

**BAFA.NL**