



technische import

Productinformatie



FRATELLI PETTINAROLI

BAFA.NL



DESCRIPTION

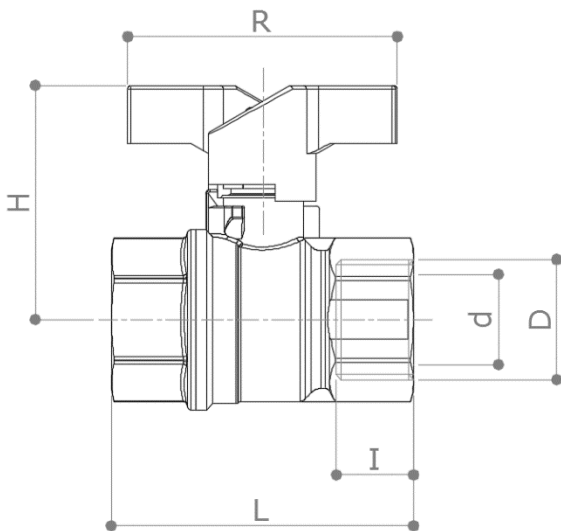
52

F x F heavy duty full-flow ball valve with butterfly handle. Nickel plated.

Red butterfly handle (52) and blue butterfly handle (52B).

Conform to EN 13828

DIMENSIONS



D	¼"	3/8"	½"	¾"	1"	1 ¼"
d	10	10	15	20	25	32
H	43	43	46	56	65	71
I	11.5	12	17	18	21.5	23.5
L	46	47	62	69	84	96
R	58	58	58	65	75	75
Weight [g]	150	140	220	360	640	990

Dimensions in mm

All threads are conform to ISO 7 or ISO 228 standards

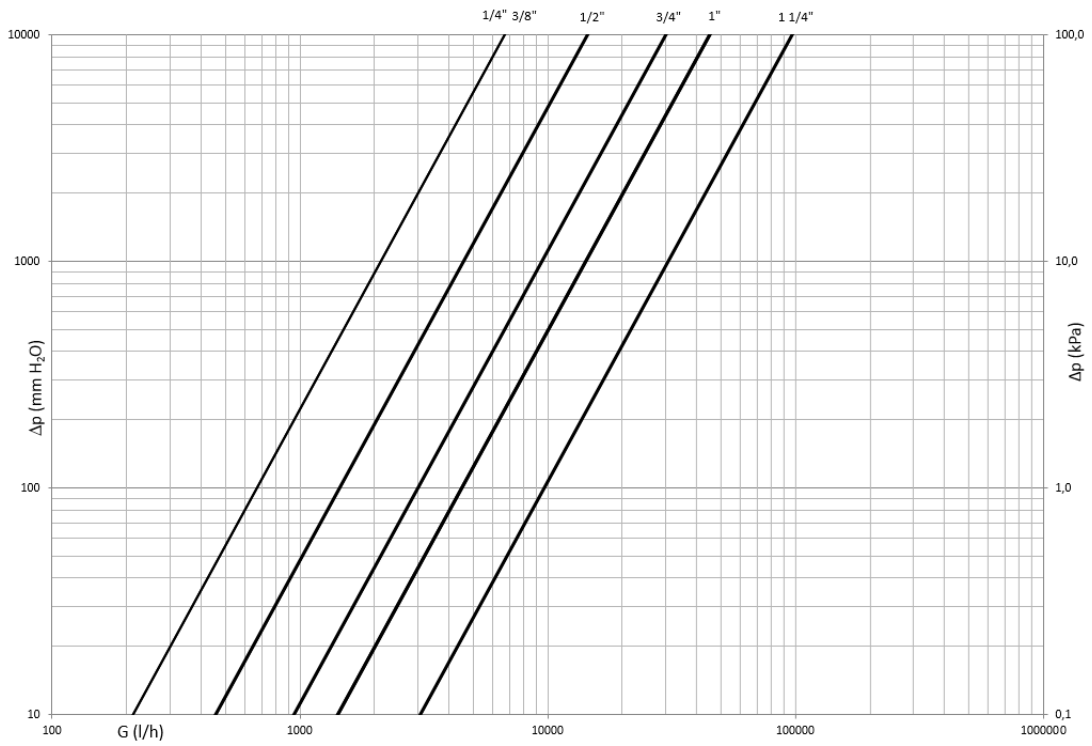
MATERIALS

Body	CW617N (EN 12165) CuZn40Pb2
Ball	CW617N (EN 12165) CuZn40Pb2 Chrome plated
Stem	CW614N (EN 12164) CuZn39Pb3
Stuffing box	CW614N (EN 12164) CuZn39Pb3 Adjustable
Seat	2 x PTFE + 1 x PTFE on the stem
O-Rings	2 x FKM
Lever	Painted aluminum

APPROVALS

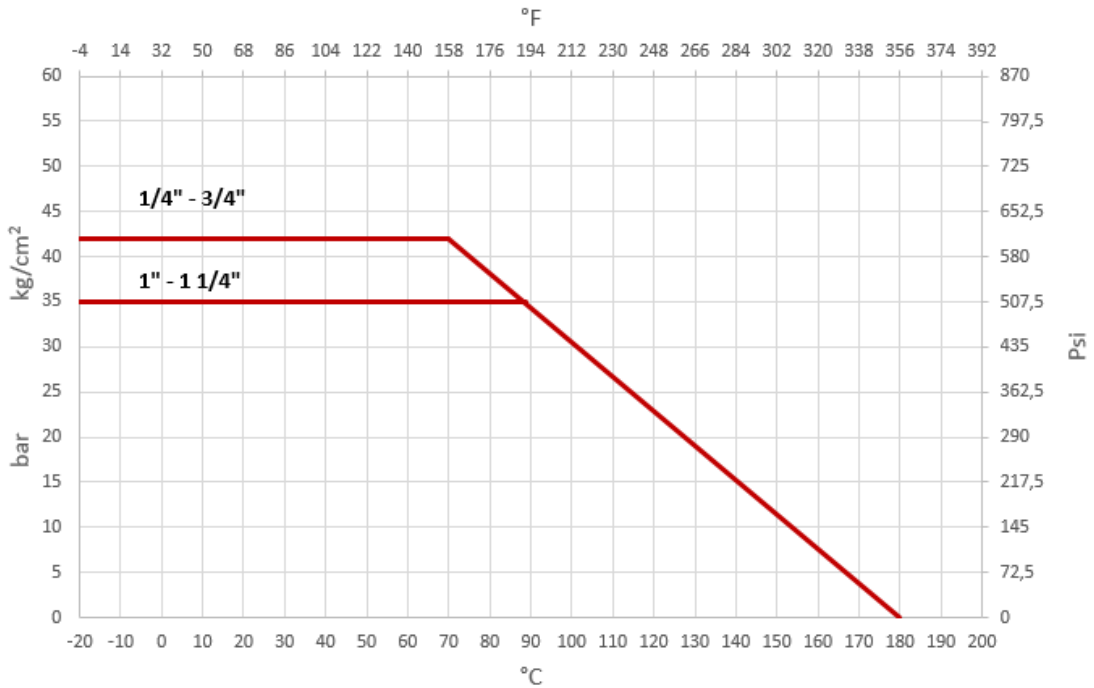


PRESSURE DROP DIAGRAM



Dim.	1/4"	3/8"	1/2"	3/4"	1"	1 1/4"
Kv	6.6	6.7	14.5	30	45	97
PN	42	42	42	42	35	35

TEMPERATURE / PRESSURE DIAGRAM



RECOMMENDED WORKING TEMPERATURE/PRESSURE LIMITS

30 bar – 100°C – non shock
 10 bar – 150°C – non shock



technische import

Nijverheidsweg 11
7005 AS Doetinchem
T. +31 (0)314-344342
E. info@bafa.nl

BAFA.NL