



technische import

Productinformatie



FRATELLI PETTINAROLI

BAFA.NL



DESCRIPTION

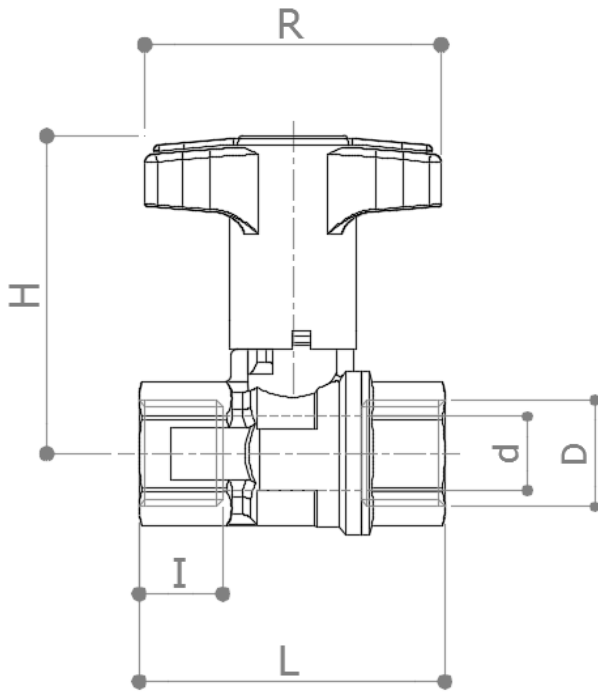
52TEU

F x F heavy duty full-flow ball valve, low lead and nickel emission.
 "Long Neck" plastic handle with green button to allow the swing with insulation.

Anti-legionella ball with additional bore on the bottom to avoid water stagnation in the space between the ball and the body.

Conform to **EN 13828**

DIMENSIONS



D	¼"	3/8"	½"	¾"	1"	1 ¼"
d	10	10	15	20	25	32
H	67	67	69	75	79	85
I	11.5	12	17	18	21.5	23.5
L	46	47	62	69	84	96
R	60	60	60	67	80	80
Weight [g]	140	135	215	335	615	905

Dimensions in **mm**

All threads are conform to ISO 7 or ISO 228 standards

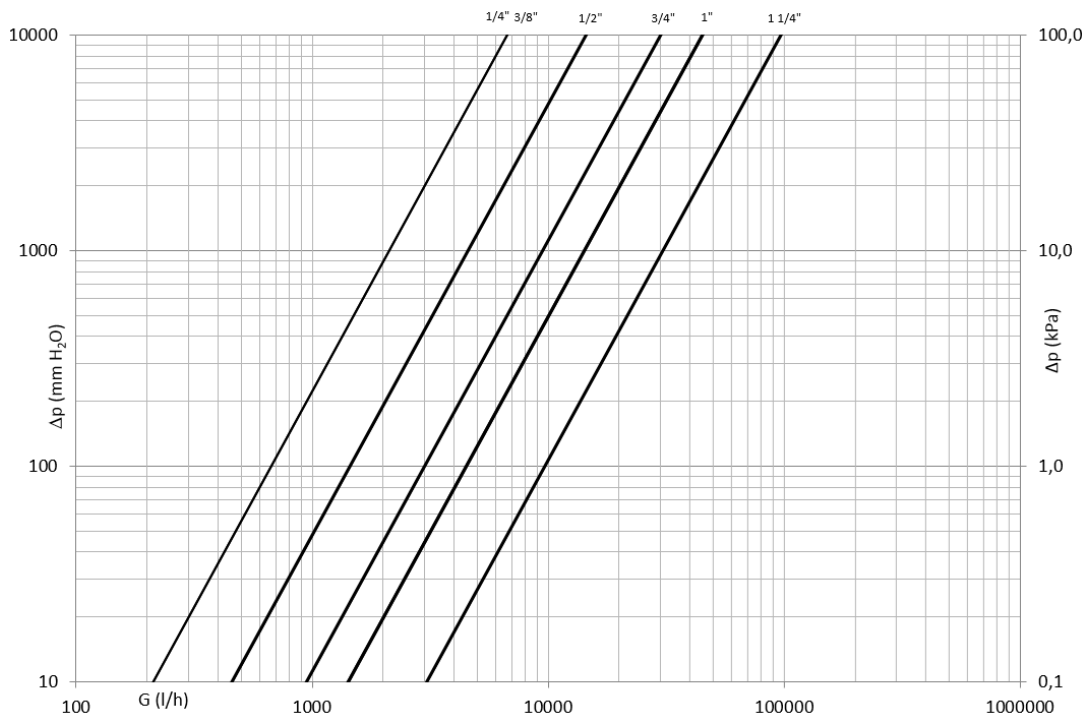
MATERIALS

Body	CW617N (EN 12165) CuZn40Pb2 T.E.A. plated
Ball	CW617N (EN 12165) CuZn40Pb2 T.E.A. plated
Stem	CW614N (EN 12164) CuZn39Pb3
Stuffing box	CW614N (EN 12164) CuZn39Pb3 Adjustable
Seat	2 x PTFE + 1 x PTFE seal on the stem
O-Rings	2 x FKM
Handle	PA66

APPROVALS

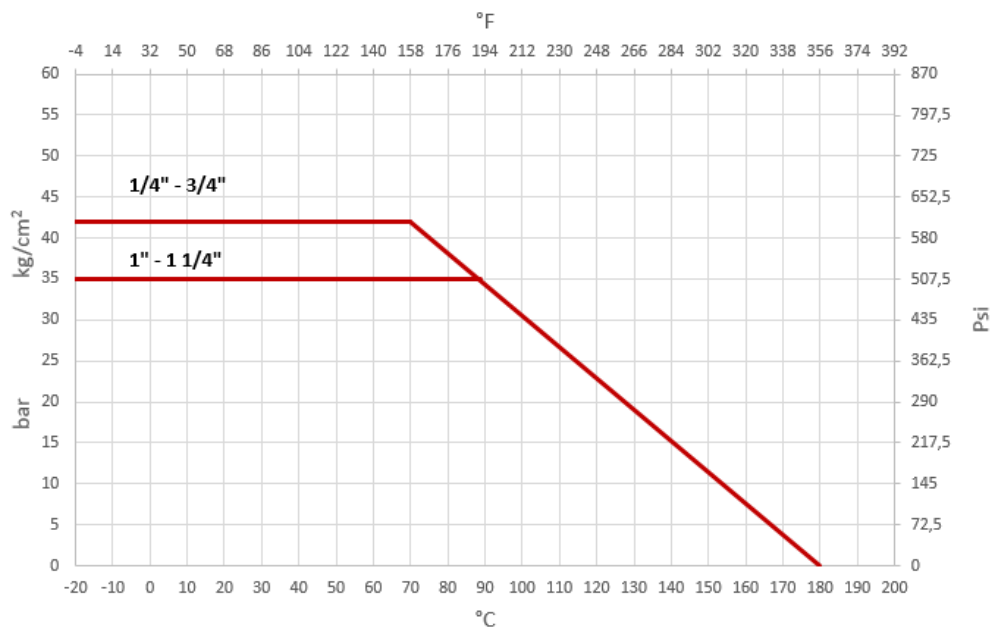


PRESSURE DROP DIAGRAM



Dim.	1/4"	3/8"	1/2"	3/4"	1"	1 1/4"
Kv	6.6	6.7	14.5	30	45	97
PN	42	42	42	42	35	35

TEMPERATURE / PRESSURE DIAGRAM



RECOMMENDED WORKING TEMPERATURE/PRESSURE LIMITS

- 30 bar – 100°C – non shock
- 10 bar – 150°C – non shock



technische import

Nijverheidsweg 11
7005 AS Doetinchem
T. +31 (0)314-344342
E. info@bafa.nl

BAFA.NL