



technische import

Productinformatie



FRATELLI PETTINAROLI

BAFA.NL



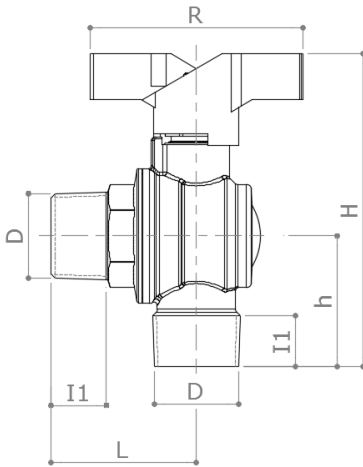
DESCRIPTION

59/2

M x M heavy duty full-flow angle ballvalve.
Red butterfly handle.

Conform to **EN 13828**

DIMENSIONS



D	1/2"	3/4"	1"
d	15	20	25
H	83	94	114
h	36	40	50
I₁	17	18	21.5
L	38	43	49.5
R	58	65	75
Weight [g]	210	330	665

Dimensions in **mm**

All threads are conform to ISO 7 or ISO 228 standards

MATERIALS

Body	CW617N (EN 12165) CuZn40Pb2
Ball	CW617N (EN 12165) CuZn40Pb2 Chrome plated
Stem	CW614N (EN 12164) CuZn39Pb3
Stuffing box	CW614N (EN 12164) CuZn39Pb3
Seat	2 x PTFE + 1 x PTFE seal on the stem
O-Rings	2 x FKM
Handle	Aluminium

APPROVALS

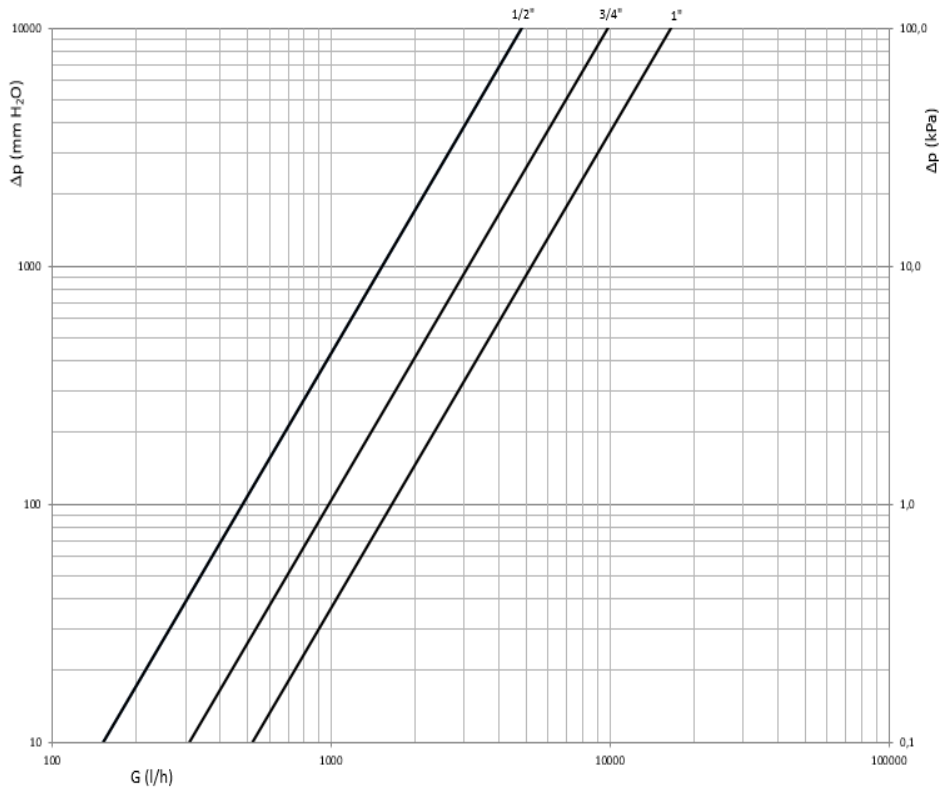


RECOMMENDED WORKING TEMPERATURE/PRESSURE LIMITS

16 bar – 100°C – non shock

10 bar – 150°C – non shock

PRESSURE DROP DIAGRAM



Dim.	1/2"	3/4"	1"
Kv	4.8	9.8	16.5
PN	16	16	16



technische import

Nijverheidsweg 11
7005 AS Doetinchem
T. +31 (0)314-344342
E. info@bafa.nl

BAFA.NL