



technische import

Productinformatie



FRATELLI PETTINAROLI

BAFA.NL



DESCRIPTION

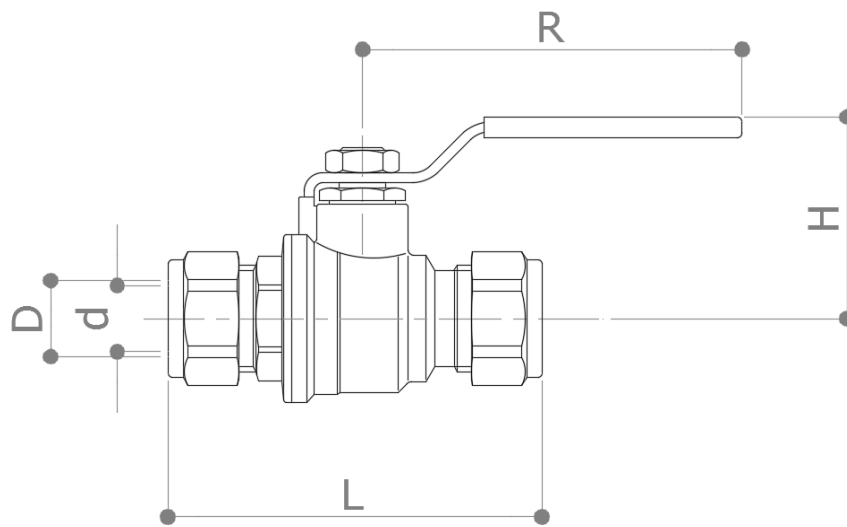
51CRF

Compression ends heavy duty full-flow ball valve; corrosion resistant alloy (ADZ or DZR). Compression ends comply BS864.2 – EN1254-2 standards. Nickel plated.

Red steel handle (**51CRFR**) or white steel handle (**51CRFW**).

Conform to **EN 13828**

DIMENSIONS



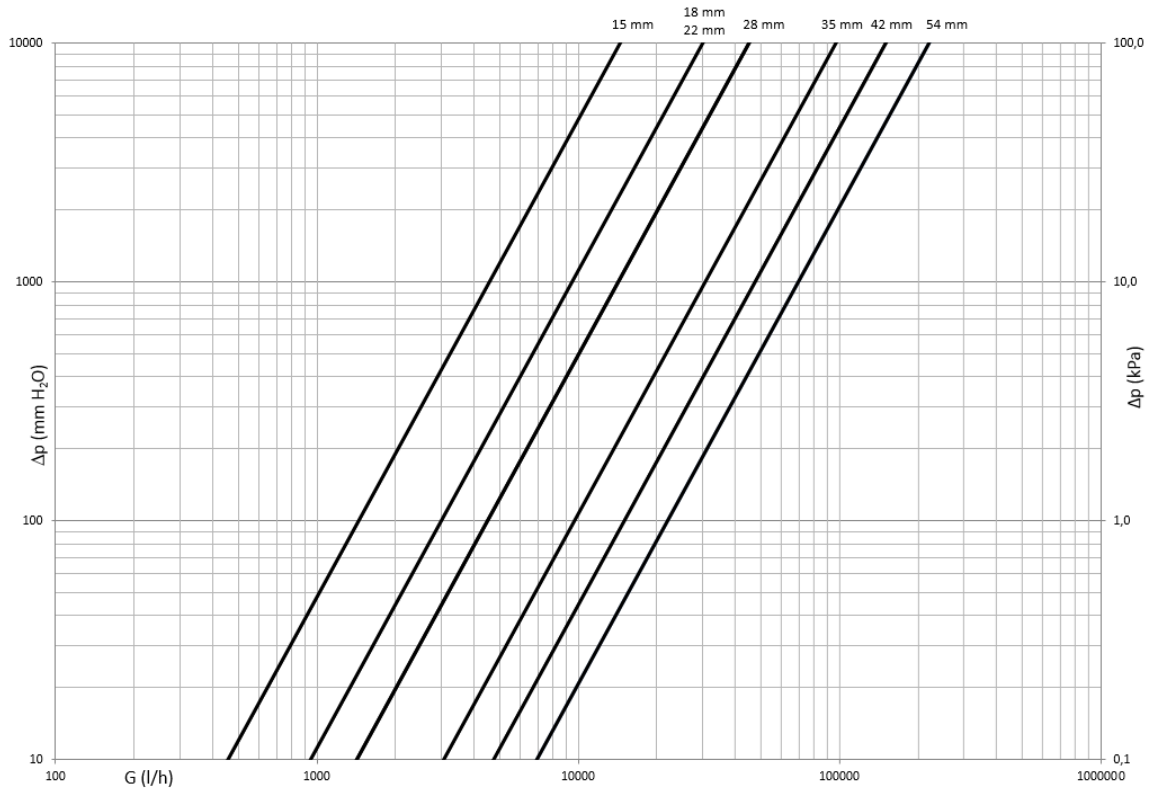
D	15 mm	18 mm	22 mm	28 mm	35 mm	42 mm	54 mm
d	15	20	20	25	32	40	50
H	39	49	49	61	66	82	89
L	74	81.5	81.5	91	106	127	149
R	75	95	95	120	120	150	150
Weight [g]	240	380	410	660	1000	1370	2560

Dimensions in mm

MATERIALS

Body	CW602N (EN 12167) CuZn36Pb2As
Ball	CW602N (EN 12167) CuZn36Pb2As Chrome plated
Stem	CW602N (EN 12167) CuZn36Pb2As
Stuffing box	CW614N (EN 12164) CuZn39Pb3 Adjustable
Compression end	CW602N (EN 12167) CuZn36Pb2As
Seat	2 x PTFE + 1 x PTFE seal on the stem
O-Rings	2 x FKM
Handle	Delta Protect coated steel. PVC grip with "Pad printing"

PRESSURE DROP DIAGRAM



Dim.	15 mm	18 mm	22 mm	28 mm	35 mm	42 mm	54 mm
Kv	14.5	30	30	45	97	150	220
PN	16	16	16	16	16	16	16

RECOMMENDED WORKING TEMPERATURE/PRESSURE LIMITS

16 bar – 30°C – non shock
 6 bar – 110°C – non shock

APPROVALS





technische import

Nijverheidsweg 11
7005 AS Doetinchem
T. +31 (0) 314-344342
E. info@bafa.nl

BAFA.NL