



technische import

Productinformatie



FRATELLI PETTINAROLI

BAFA.NL

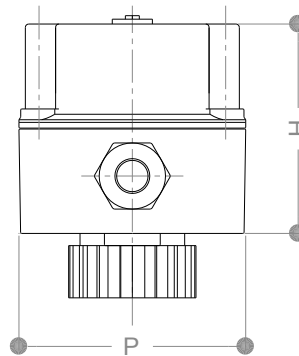
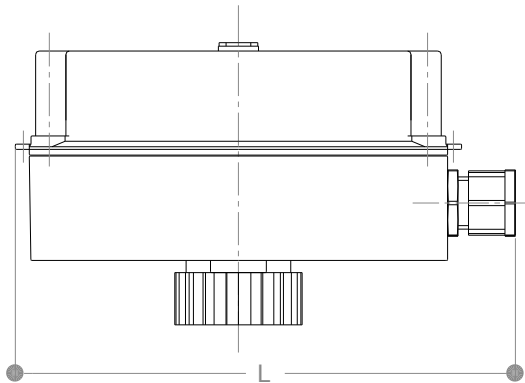


DESCRIPTION

M50Z

Electrical actuator with reversible control. For area ball valves Art.50Z – 50Z/2 – 50BZ.

DIMENSIONS



L x P x H: 143 x 65 x 60

dimensions in mm

MODELS AVAILABLE

M50Z/1	230Vac	with auxiliary switch and relay
M50Z/2	24Vac	with auxiliary switch and relay
M50Z/3	230Vac	with relay
M50Z/4	24Vac	with relay

TECHNICAL DATA

motor with reversible control	0° - 90° - 0°
supply voltage:	230Vac 50 Hz - 24VAC 50 Hz
absorbed power	3.5 VA
electrical protection level:	IP53
torque on the control rod	9 Nm
opening or closing time:	47 secondi
auxiliary switch (M50Z/3 e M50Z/4)	Max 1A - Clean Contact

ACCESSORIES AVAILABLE

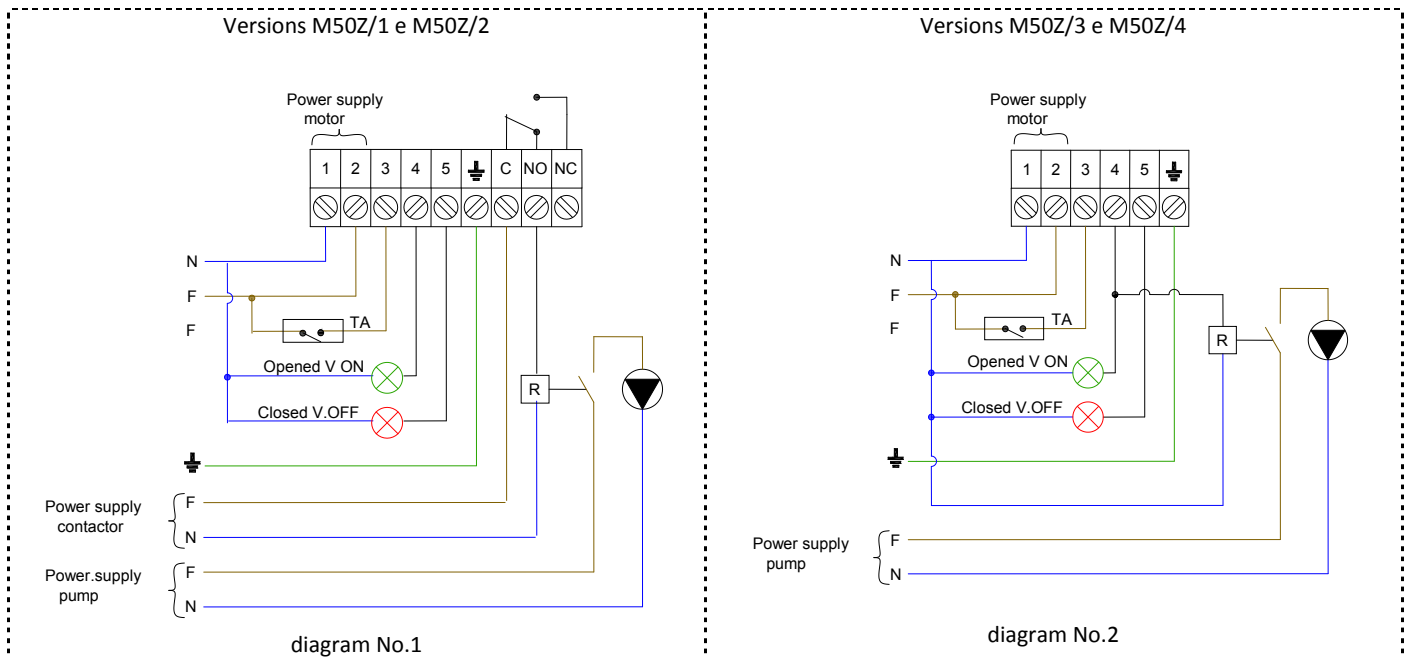
Art.054M Attachment extension for electric actuator M50Z
Allows the thermal insulation of the valve leaving the actuator in suitable working conditions



APPROVAL



DIAGRAMS



LEGEND

N = Neutral
F = Phase
T.A. = Ambient thermostat
R = relay - Contactor

CONNECTIONS

1 = Neutral
2 = Phase
3 = Thermo switch terminal
4 = Terminal in On position with the valve opened
5 = Terminal in On position with the valve closed
6 = Ground
C = Phase
N.O. = Normally opened
N.C. = Normally closed



Classical installation



Installation with extension 054M

NOTES

The actuator M50Z equipped with auxiliary end position microswitch (model / 1 / 2) allows to handle the circulator (and / or any external device) and the actuator in a completely independent way. The use of an external relay/contactor is still recommended. (see diagram No. 1)

If you use the actuator M50Z devoid of auxiliary end position microswitch (model / 3 / 4) we strongly recommend the installation of an external relay/contactor (as shown in diagram No. 2)



technische import

Nijverheidsweg 11
7005 AS Doetinchem
T. +31 (0)314-344342
E. info@bafa.nl

BAFA.NL