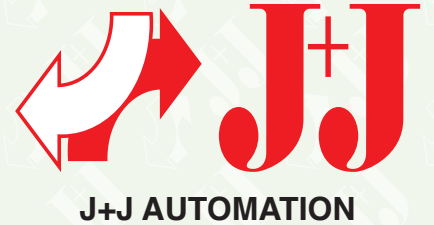




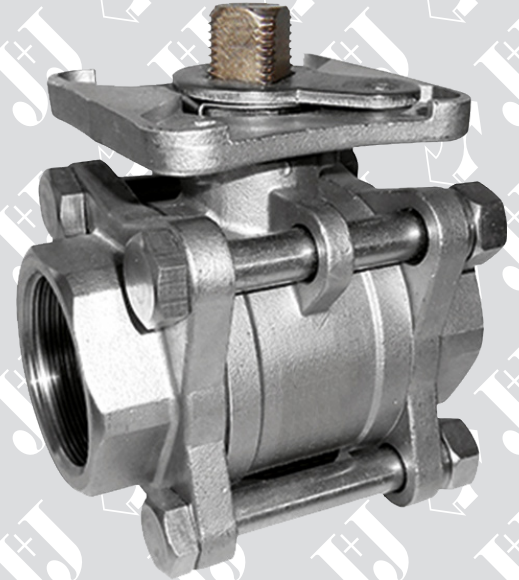
**technische import**

# Productinformatie

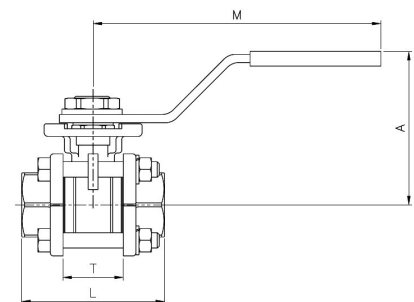
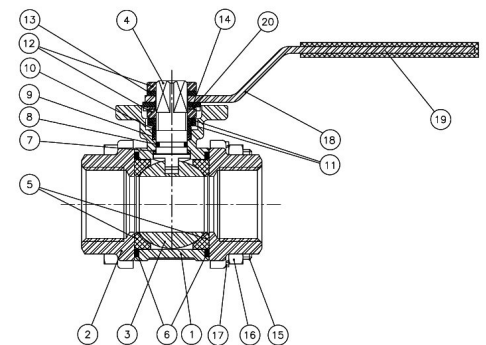


# RVS KOGELKRAAN R2034

Kogelkraan, 2-weg, draad-lasaansluiting,  
RVS, PN63, 3-delig met ISO-Top



N°	Name	Material	Surface Treatment
1	Body	AISI 316 / SS 316	Shot blasting
2	Cap	AISI 316 / SS 316	Shot blasting
3	Ball	AISI 316 / SS 316	
4	Stem	AISI 316 / SS 316	
5	Seat ball	PTFE 15%	
6	Gasket	PTFE + graphite.	
7	Trust Washer	PTFE + graphite.	
8	O-ring	Viton	PTFE
9	Stem packing	AISI 304 / SS 304	
10	Stem ring	AISI 304 / SS 304	
11	Belleville Washer	AISI 304 / SS 304	
12	Nut	AISI 304 / SS 304	
13	Washer	AISI 304 / SS 304	
14	Stopper	AISI 304 / SS 304	
15	Bolt	AISI 304 / SS 304	
16	Nut	AISI 304 / SS 304	
17	Grover washer	AISI 304 / SS 304	
18	Handle	AISI 304 / SS 304	
19	Handle Sleeve	Vynil	
20	Lock Washer	AISI 304 / SS 304	



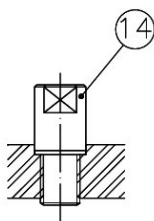
1. Stainless steel full port ball valve, 3 pieces.
2. Thread ends according to DIN 2999 standard.
3. Made of AISI 316 (CF8M).
4. Ball seats PTFE + 15 % G.F.
5. Viton o'ring stem.
6. Stem gasket PTFE + 15 % Graphite.
7. Locking system.
8. Direct mounting actuator ISO 5211.
9. Blow-out proof stem.
10. Max. working pressure 63 bar.
11. Working Temperature -25 °C + 180 °C.

**GENERAL DIMENSIONS**

Size	PN	Paso	DIMENSIONS (mm)				Weight (Kg)
			M	A	L	T	
1/4"	63	11	60	47.6	112	23	0.39
3/8"	63	12.7	60	47.6	112	23	0.38
1/2"	63	15	60	56	112	24	0.44
3/4"	63	20	70	73	138	30	0.82
1"	63	25	70	82	138	33.5	1.02
1 1/4"	63	32	88	91	160	41.5	1.79
1 1/2"	63	40	94	104	205	51.5	2.46
2"	63	50	100	120	205	63	3.47
2 1/2"	63	65	150	155	330	83.5	8.50
3"	63	80	165	182	330	100	12.40
4"	63	100	175	220	340	118.5	19.65

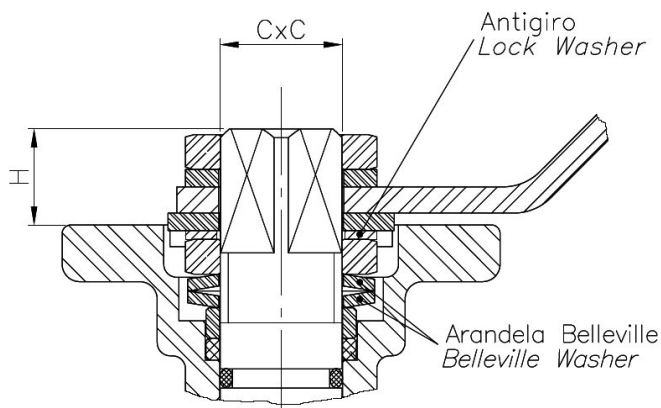
Size	PN	DIMENSIONS (mm)		
		C x C	H	
			ISO 5211	
1/4"	63	10	9 x 9	F-03
3/8"	63	10	9 x 9	F-03
1/2"	63	11	9 x 9	F-03/F-04
3/4"	63	11	11 x 11	F-04/F-05
1"	63	11	11 x 11	F-04/F-05
1 1/4"	63	15	14 x 14	F-05/F-07
1 1/2"	63	15	14 x 14	F-05/F-07
2"	63	15	14 x 14	F-05/F-07
2 1/2"	63	19	17 x 17	F-07/F-10
3"	63	19	17 x 17	F-07/F-10
4"	63	19	17 x 17	F-07/F-10

**FOR 2 1/2" - 4" SIZES ONLY**



TOPE MANETA  
HANDLE STOPPER

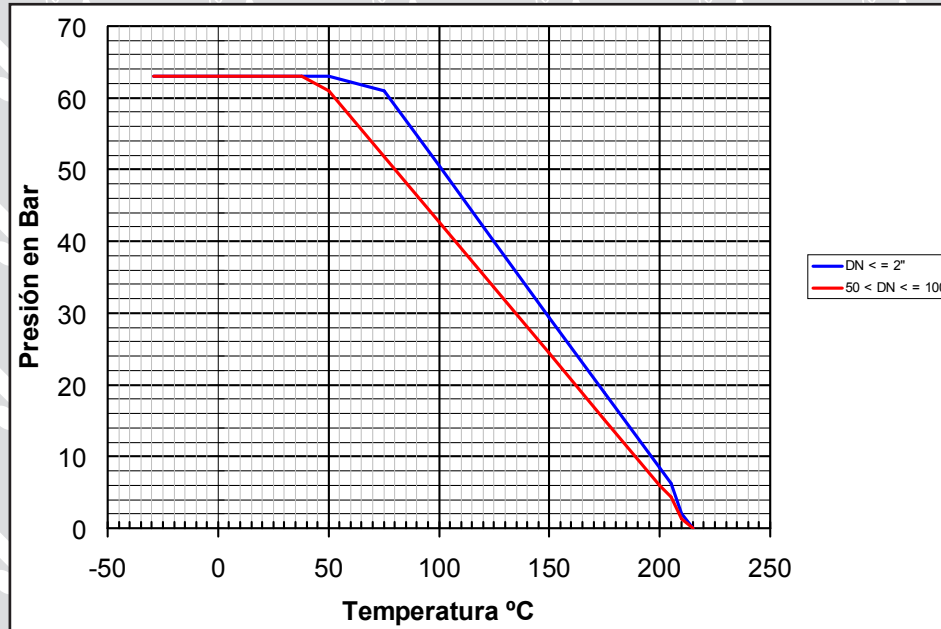
**STEM DETAIL**



**Lock Washer:**  
Prevents unthreading of stem nut in high cycle automation applications.

**Belleville Washer:**  
provide constant "live load" on the stem seals, assuring a tight seal even varying service parameters.

## PRESSURE TEMPERATURE RATING

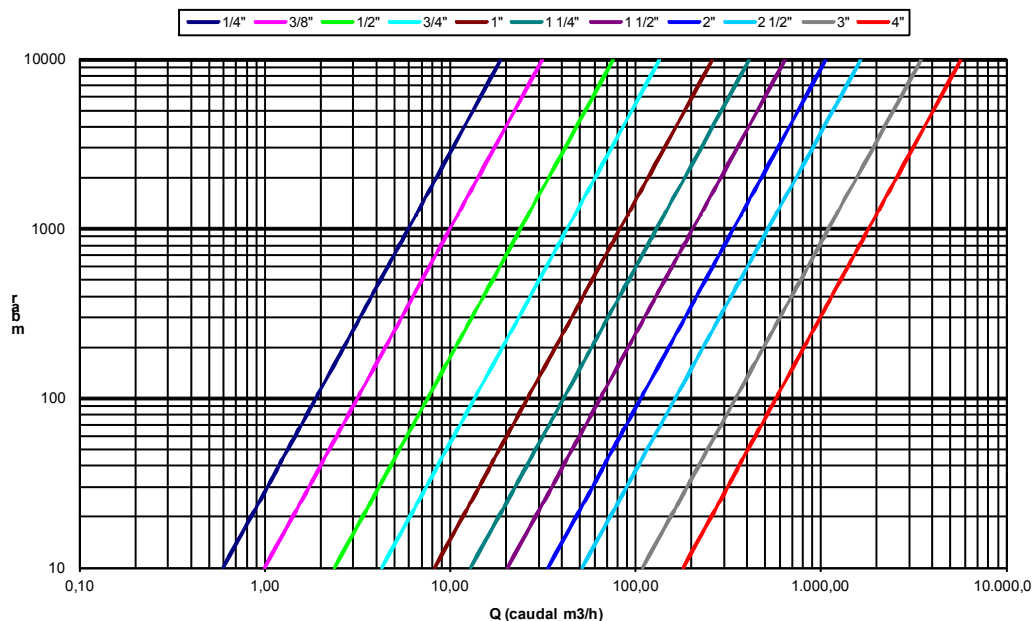


### KV VALUES

Kv = Flow rate of water in cubic meter per hour that will generate a pressure drop of 1 bar across the valve.

1/4"	3/8"	1/2"	3/4"	1"	1 1/4"	1 1/2"	2"	2 1/2"	3"	4"
6	10	24	43	83	130	205	340	520	1100	1820

## HEADLOSS CHART / THREAD ENDS FULL BORE BALL VALVES





**technische import**