



technische import

Produkt informatie



www.bafa.nl

0250 • 1/2" - 2"



VERTICAL STRAINERS IN BRASS PN 40 FILTRATION 500 µm
CONNECTIONS: DISMANTLING FITTING MALE-MALE



HYDRAULIC FEATURES

The mechanical brass vertical strainer PN 40 is ideal for installations outside of buildings and is designed to separate foreign particles in suspension such as sand, rust flakes, calcareous fragments, etc.; by means of a physical steel mesh barrier. The dirt transported by water might cause local corrosion in the water pipeline of the water system and damage important system components such as pressure reducing valves or other devices installed downstream. Manufactured in material suitable for transporting potable water, it withstands the system's pressure and water hammers. It is easy to remove the internal filter cartridge, with its broad passage section, and it can be replaced after simply cleaning it or it can be substituted. The vertical strainers can also be installed in conditioning plants, sanitary installations for external water supply, according to EN 805, irrigation systems and compressed air distribution systems. This product adheres to the standards set forth by the European health authorities for the transport of alimentary fluids and potable water.

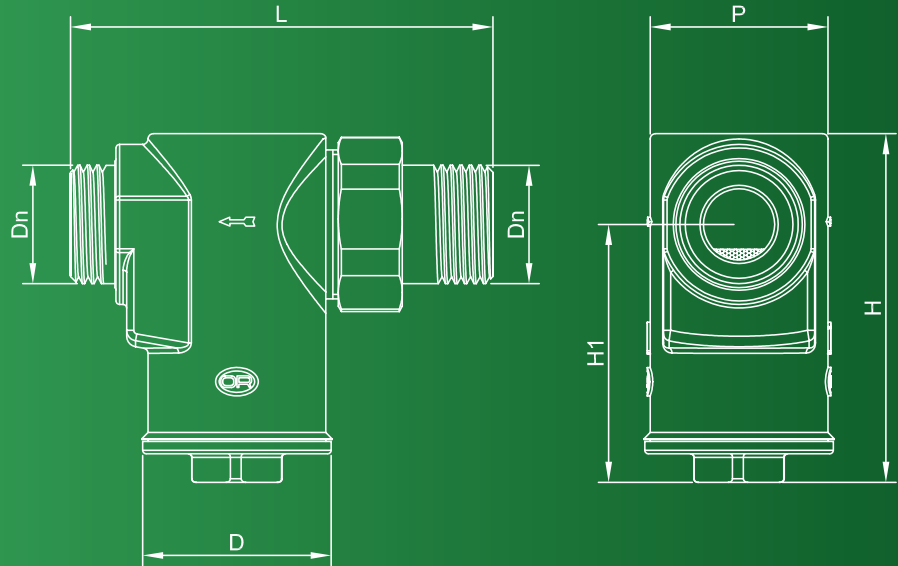
TECHNICAL FEATURES

| | |
|---|------------------------------------|
| Pressure: | |
| Maximum allowable working pressure (PN) | 40 bar |
| Temperature: | |
| Working temperature (TS) | from 0°C (excluding ice) to +120°C |
| Compatible fluids for the exclusive technological use of water: | |
| Heat transfer fluids in compliance with Italian national standards (UNI 8065 § 6) | |
| Glycolate solutions (glycol) | 50% |
| Filtration Rating: | |
| Referenced micron rating (S) | < 500µm |
| Threading: | |
| Pipeline connections | Threads according to ISO 228/1 |
| Requirements and tests as per: | |
| Shell tightness | Test P11 - EN 12266-1 |
| General Type tests for mechanical filters | EN 13443-1 (applicable parts) |
| Acoustic group Class | I - Lap [dB (A)] < 20 |

0250 • 1/2" - 2"

VERTICAL STRAINERS IN BRASS PN 40 FILTRATION 500 µm

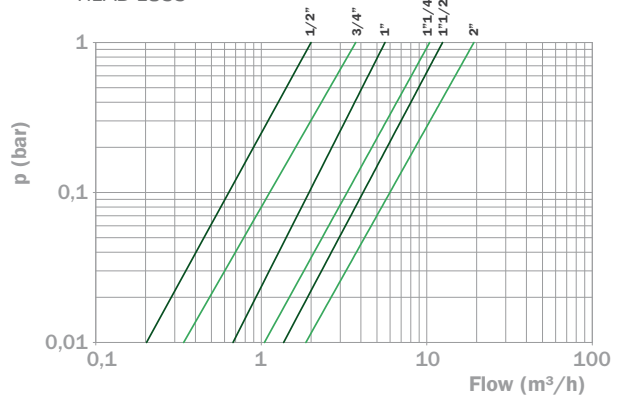
CONNECTIONS: DISMANTLING FITTING MALE-MALE



FEATURES

| Dn | D | L | H | H1 | P |
|-------|-------|-----|------|------|----|
| 1/2" | Ø39 | 88 | 70 | 53 | 32 |
| 3/4" | Ø41,5 | 99 | 84 | 64 | 39 |
| 1" | Ø53,5 | 119 | 99,5 | 77,5 | 50 |
| 1"1/4 | Ø60 | 140 | 117 | 89 | 58 |
| 1"1/2 | Ø69 | 160 | 138 | 102 | 69 |
| 2" | Ø69 | 172 | 144 | 103 | 69 |

HEAD LOSS



PRESSURE - TEMPERATURE

