



technische import

SUCO Productinformatie

0120

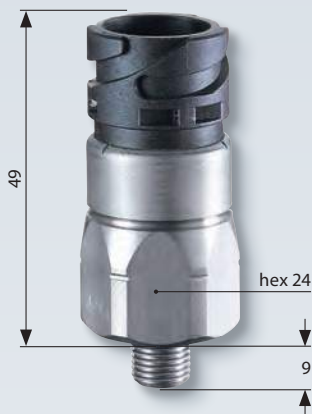


SUCO Robert Scheuffele GmbH & Co. KG

M.1

hex 24 integrated

Bayonet ISO 15170
(DIN 72585)



0120

Diaphragm pressure switches with integrated bayonet connector

- NC or NO, maximum operating voltage up to 42 V
- Zinc-plated steel (Cr VI-free)
- Overpressure safety up to 300 bar¹⁾

Adjustment range tolerance at room temperature	Male thread	Order number NO → :	Order number NC → :
---	----------------	-------------------------	------------------------

0120 Diaphragm pressure switches with integrated connector

0.1 – 1 (±0.2) bar	G 1/4	0120 – X03 03 – X – 011	0120 – X04 03 – X – 015
	G 1/8	0120 – X03 28 – X – 603	0120 – X04 28 – X – 604
	M 10x1 cyl.	0120 – X03 13 – X – 003	0120 – X04 13 – X – 004
	M 10x1 con.	0120 – X03 01 – X – 009	0120 – X04 01 – X – 013
	M 12x1.5 cyl.	0120 – X03 02 – X – 010	0120 – X04 02 – X – 014
	NPT 1/8	0120 – X03 04 – X – 012	0120 – X04 04 – X – 016
0.5 – 3 (±0.3) bar	G 1/4	0120 – X23 03 – X – 070	0120 – X24 03 – X – 070
	G 1/8	0120 – X23 28 – X – 070	0120 – X24 28 – X – 070
	M 10x1 cyl.	0120 – X23 13 – X – 070	0120 – X24 13 – X – 070
	M 10x1 con.	0120 – X23 01 – X – 070	0120 – X24 01 – X – 070
	M 12x1.5 cyl.	0120 – X23 02 – X – 070	0120 – X24 02 – X – 070
	NPT 1/8	0120 – X23 04 – X – 070	0120 – X24 04 – X – 070
1 – 10 (±0.5) bar	G 1/4	0120 – X07 03 – X – 027	0120 – X08 03 – X – 031
	G 1/8	0120 – X07 28 – X – 607	0120 – X08 28 – X – 608
	M 10x1 cyl.	0120 – X07 13 – X – 007	0120 – X08 13 – X – 008
	M 10x1 con.	0120 – X07 01 – X – 025	0120 – X08 01 – X – 029
	M 12x1.5 cyl.	0120 – X07 02 – X – 026	0120 – X08 02 – X – 030
	NPT 1/8	0120 – X07 04 – X – 028	0120 – X08 04 – X – 032

Coding

A1-2.1	4XX	4XX
A2-2.1	3XX	3XX
A3-2.1	2XX	2XX
A4-2.1	1XX	1XX

Seal material – Application areas

NBR	Hydraulic/machine oil, heating oil, air, nitrogen, etc.	1
EPDM	Brake fluid, hydrogen, oxygen, acetylene, etc.	2
FKM	Hydraulic fluids (HFA, HFB, HFD), petrol/gasoline, etc.	3
HNBR	Hydraulic/machine oil, ester-based bio-oils	9

Refer to page 24 for the temperature range and application thresholds of sealing materials.

Your order number: 0120 – XXX XX – X – XXX



¹⁾ Static value. Dynamic value is 30-50 % lower. Values pertain to the hydraulic/pneumatic part of the pressure switch.

0120/0121

Diaphragm/piston pressure switches with integrated bayonet

- NC or NO, maximum operating voltage up to 42 V
- Zinc-plated steel (Cr VI-free)
- Overpressure safety up to 300 bar¹⁾ for diaphragm variant
Overpressure safety up to 600 bar¹⁾ for piston variant

Adjustment range tolerance at room temperature	Male thread	Order number NO → :	Order number NC → :
---	----------------	------------------------	------------------------

0120 Diaphragm pressure switches with integrated connector

10–20 (±1) bar	G 1/4	0120 - X11 03 - X - 043	0120 - X12 03 - X - 047
	G 1/8	0120 - X11 28 - X - 611	0120 - X12 28 - X - 612
	M 10x1 cyl.	0120 - X11 13 - X - 011	0120 - X12 13 - X - 012
	M 10x1 con.	0120 - X11 01 - X - 041	0120 - X12 01 - X - 045
	M 12x1.5 cyl.	0120 - X11 02 - X - 042	0120 - X12 02 - X - 046
	NPT 1/8	0120 - X11 04 - X - 044	0120 - X12 04 - X - 048

20–50 (±2) bar	G 1/4	0120 - X15 03 - X - 059	0120 - X16 03 - X - 063
	G 1/8	0120 - X15 28 - X - 615	0120 - X16 28 - X - 616
	M 10x1 cyl.	0120 - X15 13 - X - 015	0120 - X16 13 - X - 016
	M 10x1 con.	0120 - X15 01 - X - 057	0120 - X16 01 - X - 061
	M 12x1.5 cyl.	0120 - X15 02 - X - 058	0120 - X16 02 - X - 062
	NPT 1/8	0120 - X15 04 - X - 060	0120 - X16 04 - X - 064

0121 Piston pressure switches with integrated connector

50–150 (±5) bar	G 1/4	0121 - X19 03 - X - 011	0121 - X20 03 - X - 015
	G 1/8	0121 - X19 28 - X - 603	0121 - X20 28 - X - 604
	M 10x1 cyl.	0121 - X19 13 - X - 003	0121 - X20 13 - X - 004
	M 10x1 con.	0121 - X19 01 - X - 009	0121 - X20 01 - X - 013
	M 12x1.5 cyl.	0121 - X19 02 - X - 010	0121 - X20 02 - X - 014
	NPT 1/8	0121 - X19 04 - X - 012	0121 - X20 04 - X - 016

Coding

A1-2.1	4XX	4XX
A2-2.1	3XX	3XX
A3-2.1	2XX	2XX
A4-2.1	1XX	1XX

Seal material – Application areas

NBR	Hydraulic/machine oil, heating oil, air, nitrogen, etc.	1
EPDM	Brake fluid, hydrogen, oxygen, acetylene, etc.	2
FKM	Hydraulic fluids (HFA, HFB, HFD), petrol/gasoline, etc.	3
HNBR	Hydraulic/machine oil, ester-based bio-oils	9

Refer to page 24 for the temperature range and application thresholds of sealing materials.

Your order number:

012X - XXX XX - X - XXX

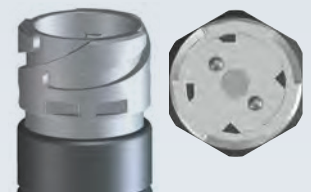
M.1

hex 24 integrated

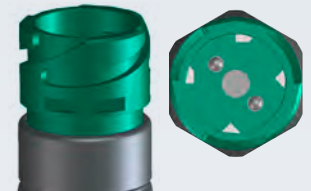
Coding A1-2.1



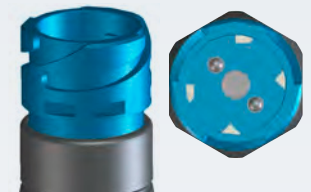
Coding A2-2.1



Coding A3-2.1



Coding A4-2.1



¹⁾ Static value. Dynamic value is 30-50 % lower. Values pertain to the hydraulic/pneumatic part of the pressure switch.



technische import

www.bafa.nl