



technische import

SUCO Productinformatie

0167



SUCO Robert Scheuffele GmbH & Co. KG

www.bafa.nl

0167

Diaphragm pressure switches up to 42 V with brass housing

- Brass housing
- Spade terminal
- Overpressure safety up to 35 bar¹⁾

Adjustment range tolerance at room temperature	Male thread	Order number NO → :	Order number NC → :
---	----------------	-------------------------	------------------------

0167 Diaphragm pressure switches with spade terminal

Adjustment range	Male thread	Order number NO → :	Order number NC → :
0.1 – 1 (±0.2) bar	G 1/4	0167 – 403 03 – X – 039	0167 – 404 03 – X – 040
	G 1/8	0167 – 403 28 – X – 003	0167 – 404 28 – X – 004
	R 1/8	0167 – 403 12 – X – 008	0167 – 404 12 – X – 011
	R 1/2	0167 – 403 07 – X – 009	0167 – 404 07 – X – 012
	M 10x1 con.	0167 – 403 01 – X – 007	0167 – 404 01 – X – 010
	NPT 1/8	0167 – 403 04 – X – 012	0167 – 404 04 – X – 016
0.5 – 3 (±0.3) bar	G 1/4	0167 – 423 03 – X – 070	0167 – 424 03 – X – 070
	G 1/8	0167 – 423 28 – X – 070	0167 – 424 28 – X – 070
	R 1/8	0167 – 423 12 – X – 070	0167 – 424 12 – X – 070
	R 1/2	0167 – 423 07 – X – 070	0167 – 424 07 – X – 070
	M 10x1 con.	0167 – 423 01 – X – 070	0167 – 424 01 – X – 070
	NPT 1/8	0167 – 423 04 – X – 070	0167 – 424 04 – X – 070
1 – 10 (±0.5) bar	G 1/4	0167 – 407 03 – X – 043	0167 – 408 03 – X – 044
	G 1/8	0167 – 407 28 – X – 007	0167 – 408 28 – X – 008
	R 1/8	0167 – 407 12 – X – 020	0167 – 408 12 – X – 023
	R 1/2	0167 – 407 07 – X – 021	0167 – 408 07 – X – 024
	M 10x1 con.	0167 – 407 01 – X – 019	0167 – 408 01 – X – 022
	NPT 1/8	0167 – 407 04 – X – 028	0167 – 408 04 – X – 032
10 – 20 (±1) bar	G 1/4	0167 – 411 03 – X – 047	0167 – 412 03 – X – 048
	G 1/8	0167 – 411 28 – X – 011	0167 – 412 28 – X – 012
	R 1/8	0167 – 411 12 – X – 032	0167 – 412 12 – X – 035
	R 1/2	0167 – 411 07 – X – 033	0167 – 412 07 – X – 036
	M 10x1 con.	0167 – 411 01 – X – 031	0167 – 412 01 – X – 034
	NPT 1/8	0167 – 411 04 – X – 044	0167 – 412 04 – X – 048

Seal material – Application areas

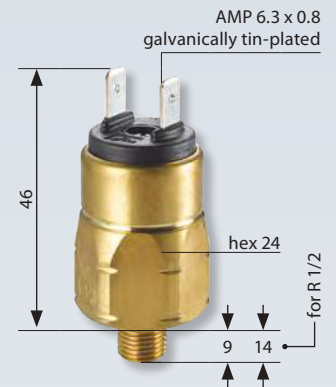
NBR	Hydraulic/machine oil, heating oil, air, nitrogen, etc.	1
EPDM	Water, Brake fluid, hydrogen, oxygen, acetylene, etc.	2
EPDM-W270	Drinking water	5
FKM	Hydraulic fluids (HFA, HFB, HFD), petrol/gasoline, etc.	3
Silicone	Water, food products, air, etc.	8

Refer to page 41 for the temperature range and application thresholds of sealing materials.

Your order number: **0167 – XXX XX – X – XXX**

M.3

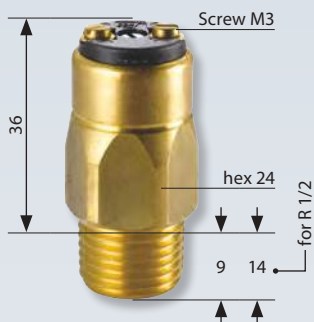
hex 24



¹⁾ Static value. Dynamic value is 30-50 % lower. Values pertain to the hydraulic/pneumatic part of the pressure switch.

M.3

hex 24



0167

Diaphragm pressure switches up to 42 V with brass housing

- Brass housing
- M3 screw terminal
- Overpressure safety up to 35 bar¹⁾

Adjustment range tolerance at room temperature	Male thread	Order number NO → :	Order number NC → :
---	----------------	------------------------	------------------------

0167 Diaphragm pressure switches with M3 screw terminal

0.1 – 1 (±0.2) bar	G 1/4	0167 – 401 03 – X – 037	0167 – 402 03 – X – 038
	G 1/8	0167 – 401 28 – X – 001	0167 – 402 28 – X – 002
	R 1/8	0167 – 401 12 – X – 002	0167 – 402 12 – X – 005
	R 1/2	0167 – 401 07 – X – 003	0167 – 402 07 – X – 006
	M 10x1 con.	0167 – 401 01 – X – 001	0167 – 402 01 – X – 004
	NPT 1/8	0167 – 401 04 – X – 004	0167 – 402 04 – X – 008
0.5 – 3 (±0.3) bar	G 1/4	0167 – 421 03 – X – 070	0167 – 422 03 – X – 070
	G 1/8	0167 – 421 28 – X – 070	0167 – 422 28 – X – 070
	R 1/8	0167 – 421 12 – X – 070	0167 – 422 12 – X – 070
	R 1/2	0167 – 421 07 – X – 070	0167 – 422 07 – X – 070
	M 10x1 con.	0167 – 421 01 – X – 070	0167 – 422 01 – X – 070
	NPT 1/8	0167 – 421 04 – X – 070	0167 – 422 04 – X – 070
1 – 10 (±0.5) bar	G 1/4	0167 – 405 03 – X – 041	0167 – 406 03 – X – 042
	G 1/8	0167 – 405 28 – X – 005	0167 – 406 28 – X – 006
	R 1/8	0167 – 405 12 – X – 014	0167 – 406 12 – X – 017
	R 1/2	0167 – 405 07 – X – 015	0167 – 406 07 – X – 018
	M 10x1 con.	0167 – 405 01 – X – 013	0167 – 406 01 – X – 016
	NPT 1/8	0167 – 405 04 – X – 020	0167 – 406 04 – X – 024
10 – 20 (±1) bar	G 1/4	0167 – 409 03 – X – 045	0167 – 410 03 – X – 046
	G 1/8	0167 – 409 28 – X – 009	0167 – 410 28 – X – 010
	R 1/8	0167 – 409 12 – X – 026	0167 – 410 12 – X – 029
	R 1/2	0167 – 409 07 – X – 027	0167 – 410 07 – X – 030
	M 10x1 con.	0167 – 409 01 – X – 025	0167 – 410 01 – X – 028
	NPT 1/8	0167 – 409 04 – X – 036	0167 – 410 04 – X – 040

Seal material – Application areas

NBR	Hydraulic/machine oil, heating oil, air, nitrogen, etc.	1
EPDM	Water, Brake fluid, hydrogen, oxygen, acetylene, etc.	2
EPDM-W270	Drinking water	5
FKM	Hydraulic fluids (HFA, HFB, HFD), petrol/gasoline, etc.	3
Silicone	Water, food products, air, etc.	8

Refer to page 41 for the temperature range and application thresholds of sealing materials.



Your order number:

0167 – XXX XX – X – XXX



¹⁾ Static value. Dynamic value is 30-50 % lower. Values pertain to the hydraulic/pneumatic part of the pressure switch.



technische import

www.bafa.nl