



technische import

SUCO Productinformatie

0168



SUCO Robert Scheuffele GmbH & Co. KG

www.bafa.nl

M.3

hex 24

0168

Diaphragm pressure switches up to 42 V

- Made of zinc-plated steel (CrVI-free)
- Spade or M3 screw terminal
- Overpressure safety up to 300 bar¹⁾
- With female thread for compression-type fitting to DIN 2353

Adjustment range tolerance at room temperature	Female thread	Order number NO → :	Order number NC → :
---	------------------	-------------------------	------------------------

0168 Diaphragm pressure switches with M3 screw terminal

0.1 – 1 (±0.2) bar	M 12x1.5 female DIN 2353	0168 – 401 16 – X – 001	0168 – 402 16 – X – 002
0.5 – 3 (±0.3) bar		0168 – 421 16 – X – 070	0168 – 422 16 – X – 070
1 – 10 (±0.5) bar		0168 – 405 16 – X – 005	0168 – 406 16 – X – 006
10 – 20 (±1) bar		0168 – 409 16 – X – 009	0168 – 410 16 – X – 010
20 – 50 (±2) bar		0168 – 413 16 – X – 013	0168 – 414 16 – X – 014

0168 Diaphragm pressure switches with spade terminal

0.1 – 1 (±0.2) bar	M 12x1.5 female DIN 2353	0168 – 403 16 – X – 003	0168 – 404 16 – X – 004
0.5 – 3 (±0.3) bar		0168 – 423 16 – X – 070	0168 – 424 16 – X – 070
1 – 10 (±0.5) bar		0168 – 407 16 – X – 007	0168 – 408 16 – X – 008
10 – 20 (±1) bar		0168 – 411 16 – X – 011	0168 – 412 16 – X – 012
20 – 50 (±2) bar		0168 – 415 16 – X – 015	0168 – 416 16 – X – 016

Seal material – Application areas

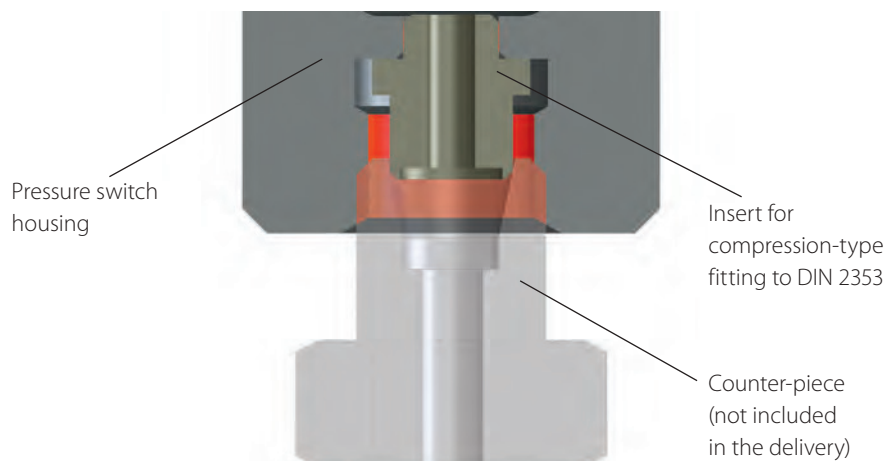
NBR	Hydraulic/machine oil, heating oil, air, nitrogen, etc.	1
EPDM	Brake fluid, hydrogen, oxygen, acetylene, etc.	2
FKM	Hydraulic fluids (HFA, HFB, HFD), petrol/gasoline, etc.	3
HNBR	Hydraulic/machine oil, ester-based bio-oils	9

Refer to page 41 for the temperature range and application thresholds of sealing materials.

Your order number: **0168 – XXX XX – X – XXX**



Seal type 0168 Insert with counter-piece



¹⁾ Static value. Dynamic value is 30-50 % lower. Values pertain to the hydraulic/pneumatic part of the pressure switch.



technische import

www.bafa.nl