



technische import

SUCO Productinformatie

0175

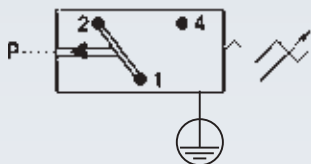


SUCO Robert Scheuffele GmbH & Co. KG

www.bafa.nl

M.7

30 A/F



0175

Diaphragm pressure switches up to 250 V

- For low pressure, high accuracy
- Aluminium housing
- Changeover with silver contacts
- Overpressure safety up to 25 bar¹⁾
- Socket device similar to DIN EN 175301 (DIN 43650)
- Hysteresis adjustable at factory

$p_{\max.}$ in bar	Adjustment range in bar	Tolerance in bar at room temperature	Thread	Order number
-----------------------	----------------------------	---	--------	--------------

With female thread

0175 Diaphragm pressure switches

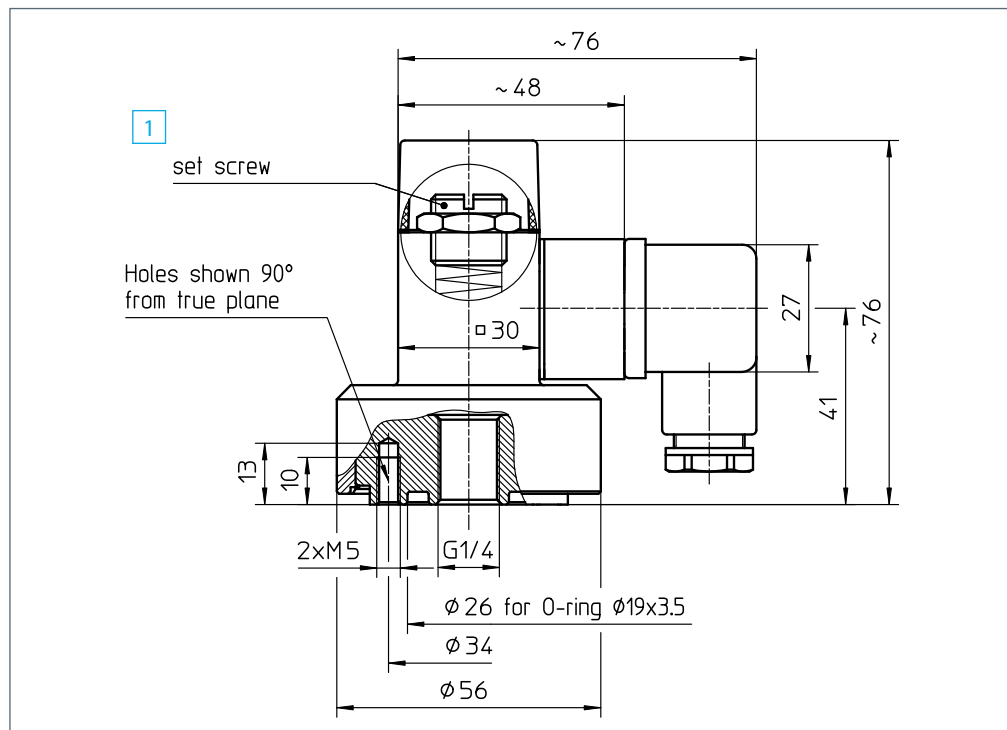
25 ¹⁾	0.1 – 1	± 0.1 – 0.2	G 1/4 female	0175 – 435 14 – 1 – 001
------------------	---------	-------------	--------------	-------------------------

Seal material – Application areas

NBR	Hydraulic/machine oil, heating oil, air, nitrogen, etc.
	Temperature resistance: -30 °C ... +100 °C

Your order number:

0175 – 435 14 – 1 – 001



1 Adjusting the set point

To adjust the set point, undo the locknut and adjust the set screw using a screwdriver.

Clockwise screwing increases the switching pressure. After adjusting, tighten the locknut again.

¹⁾ Static value. Dynamic value is 30-50 % lower. Values pertain to the hydraulic/pneumatic part of the pressure switch.



Pressure switches 30 A/F

Technical data

M.7

30 A/F

Temperature resistance of sealing materials:	NBR	-40 °C ... +100 °C
	EPDM	-30 °C ... +120 °C
	FKM (in diaphragm pressure switch)	-5 °C ... +120 °C
	FKM (in piston pressure switch)	-15 °C ... +120 °C
Switching frequency:	200 / min.	
Mechanical life expectancy:	1,000,000 cycles (for diaphragm pressure switches, life expectancy value only applies for switching pressures up to 50 bar)	
Pressure rise rate:	≤ 1 bar / ms	
Hysteresis:	Typ 0159:	approx. 10 ... 30 % (not adjustable)
	Typ 0161, 0162, 0175:	approx. 10 ... 30 % (factory adjustable)
Vibration resistance:	10 g; 5 ... 200 Hz sine wave; DIN EN 60068-2-6	
Shock resistance:	294 m/s ² ; 14 ms half sine wave; DIN EN 60068-2-27	
Housing material:	Aluminium	
Protection class:	IP65 with Socket device fitted	
Weight:	Typ 0159, 0161, 0162:	approx. 240 g
	Typ 0175:	approx. 310 g

Electrical values	0159	0161 / 0162 / 0175
Rated working voltage U_e	Rated working current I_e	
250 VAC 50 / 60 Hz, AC 12	2.5 A	5 A
250 VAC 50 / 60 Hz, AC 14	1 A	1 A
24 VDC, DC 12/DC 13	2/2 A	3.5/3.5 A
50 VDC, DC 12/DC 13	1/0.5 A	2/1 A
75 VDC, DC 12/DC 13	0.75/0.4 A	1/0.5 A
125 VDC, DC 12/DC 13	0.3/0.2 A	0.3/0.2 A
250 VDC, DC 12/DC 13	0.3/0.2 A	0.25/0.2 A
Rated insulation voltage U_i :	300 V	
Rated impulse withstand voltage U_{imp} :	2.5 kV	
Conventional thermal current I_{the} :	6 A	
Switching overvoltage:	< 2.5 kV	
Rated frequency:	DC and 50/60 Hz	
Nominal current of short-circuit mechanism:	to 2.5 A	to 6.3 A
Conditional short-circuit current:	< 350 A	
Tightening torque of terminal screws:	< 0.35 Nm	
Connector cross-section:	0.5 – 1.5 mm ²	





technische import

www.bafa.nl