



**technische import**

**SUCO Productinformatie**

**0196**



SUCO Robert Scheuffele GmbH & Co. KG

**www.bafa.nl**

# 0196 / 0197

Diaphragm / piston pressure switches up to 24 V with stainless steel housing

- Stainless steel housing (1.4305 / AISI 303)
- Fitted with changeover contact and gold contacts
- Overpressure safety up to 300 / 600 bar<sup>1)</sup>  
(EPDM-W270 and silicone diaphragm up to 35 bar<sup>2)</sup>)
- Hysteresis adjustable at factory

$p_{max}$ in bar	Adjustment range in bar	Tolerance in bar at room temperature	Male thread	Order number
---------------------	----------------------------	---	-------------	--------------

## 0196 Diaphragm pressure switches with spade terminal

$300^{1)+2)}$	0.5 – 5	$\pm 0.3$	G 1/4	0196 – 457 03 – X – 003
	1 – 10	$\pm 0.5$		0196 – 458 03 – X – 006
	10 – 50	$\pm 3.0$		0196 – 459 03 – X – 009
	10 – 100	$\pm 3.0 – 5.0$		0196 – 461 03 – X – 012

## 0197 Piston pressure switches with spade terminal

$600^{1)}$	50 – 200	$\pm 5.0$	G 1/4	0197 – 460 03 – X – 003
------------	----------	-----------	-------	-------------------------

## Seal material – Application areas

NBR	Hydraulic/machine oil, heating oil, air, nitrogen, etc.	1
EPDM	Brake fluid, hydrogen, oxygen, acetylene, etc.	2
EPDM-W270	Drinking water (only in diaphragm, $p_{max} \leq 35$ bar)	5
FKM	Hydraulic fluids (HFA, HFB, HFD), petrol/gasoline, etc.	3
Silicone	Water, food products, air, etc. (only in diaphragm, $p_{max} \leq 35$ bar)	8
HNBR	Hydraulic/machine oil, ester-based bio-oils	9

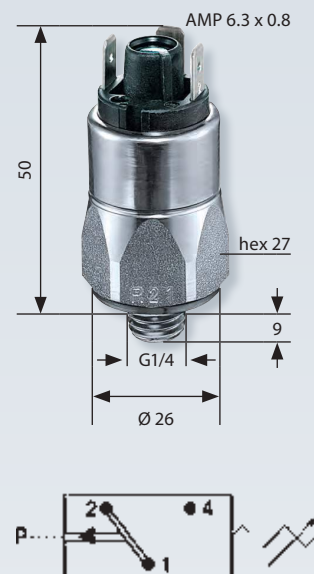
Refer to page 53 for the temperature range and application thresholds of sealing materials.



**Your order number:** 019X – XXX 03 – X – XXX

# M.4

hex 27



<sup>1)</sup> Static value. Dynamic value is 30-50 % lower. Values pertain to the hydraulic/pneumatic part of the pressure switch.

<sup>2)</sup> Overpressure safety of diaphragm pressure switch up to 300 bar. Functional reliability only up to 35 bar with diaphragm materials EPDM-W270 and silicone.



**technische import**

[www.bafa.nl](http://www.bafa.nl)