



technische import

SUCO Productinformatie

Accessoires



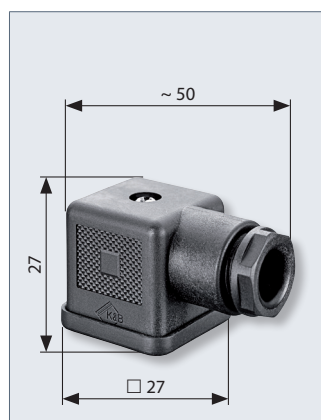
SUCO Robert Scheuffele GmbH & Co. KG

www.bafa.nl

Socket devices and protective caps

- IP65 socket devices or IP54 rubber protective caps for increased protection
- Simple installation with plug-in socket devices

 <p>60 Ø 28</p>	 <p>46 Ø 28</p>	 <p>55 Ø 31</p>	 <p>~ 54 45 Ø 34 CE SP US</p>
<p>Rubber protective cap</p> <p>With central cable feed-through for 1.5 – 5 mm cable diameter</p> <p>With rubber protective cap fitted: IP54</p> <p>Suitable for voltages up to 42 V</p>	<p>Rubber protective cap</p> <p>With two cable feed-throughs for 1.7 – 2.2 mm cable diameter</p> <p>With rubber protective cap fitted: IP54</p> <p>Suitable for voltages up to 42 V</p>	<p>Rubber protective cap</p> <p>With two cable feed-throughs for 1.7 – 2.3 mm cable diameter</p> <p>With rubber protective cap fitted: IP54</p> <p>Suitable for voltages up to 42 V</p>	<p>Socket device</p> <p>Pg9 screw fitting (tightening range 6 – 9 mm) terminals for wire cross-sections: 0.34 ... 1.5 mm² (AWG 22 ... AWG 16), tightening torque for terminal screw 0.4 Nm</p> <p>With socket device fitted: IP65</p> <p>Suitable for voltages up to 250 V</p>
<p>suitable for series 0151 / 0163 / 0164 / 0166 0167 / 0168 / 0169</p>	<p>suitable for series 0151 / 0163 / 0164 / 0166 0167 / 0168 / 0169</p>	<p>suitable for series 0170 / 0171 / 0180* / 0181* 0183* / 0186* / 0187* 0190 / 0191 / 0196 / 0197 (*up to 42 V)</p>	<p>suitable for series 0170 / 0171 / 0180 / 0181 0183 / 0186 / 0187 0190 / 0191 / 0196 / 0197</p>
<p>Order number: 1-1-66-621-010</p>	<p>Order number: 1-1-66-621-003</p>	<p>Order number: 1-1-70-621-007</p>	<p>Order number: 1-1-80-652-002</p>



Socket device

to DIN EN 175301-803-A
(DIN 43650)

Pg9 screw fitting
(tightening range 6 – 9 mm)
terminals for wire cross-sections:
0.34 ... 1.5 mm²
(AWG 22 ... AWG 16),
tightening torque
for terminal screw 0.4 Nm

**With socket device
fitted: IP65**

Suitable for voltages
up to 250 V

suitable for series

**0150 / 0161 / 0162 / 0175
0184 / 0185 / 0194 / 0195**

Order number:
1-1-84-652-009



Socket device

With indicator lamp to DIN EN
175301-803-A
(DIN 43650)

Pg9 screw fitting
(tightening range 6 – 9 mm)
terminals for wire cross-sections:
0.34 ... 1.5 mm²
(AWG 22 ... AWG 16),
tightening torque
for terminal screw 0.4 Nm

**With socket device
fitted: IP65**

Suitable for voltage
24 or 250 V

suitable for series

**0150 / 0161 / 0162 / 0175
0184 / 0185 / 0194 / 0195**

Order number:
for 24 VDC: **1-1-84-652-011**
for 250 VAC: **1-1-84-652-010**



Socket device

M 12x1
DIN EN 61071-2-101 D
Straight
4-pin

Terminals for wire cross-section
0.75 mm² (AWG 18),
tightening torque for terminal
screw 0.4 Nm

**With socket device
fitted: IP65**

Suitable for voltages
up to 48 V

suitable for series

**0122 / 0123 / 0124 / 0125
0134 / 0135 / 0424 / 0425**

and for all transmitters and
electronic pressure switches
with an M12 connector

Order number:
1-6-00-652-016



Socket device

M 12x1
DIN EN 61071-2-101 D
Angled
4-pin

Terminals for wire cross-section
0.75 mm² (AWG 18),
tightening torque for terminal
screw 0.4 Nm

**With socket device
fitted: IP65**

Suitable for voltages
up to 48 V

suitable for series

**0122 / 0123 / 0124 / 0125
0134 / 0135 / 0424 / 0425**

and for all transmitters and
electronic pressure switches
with an M12 connector

Order number:
1-6-00-652-017



technische import

www.bafa.nl