



technische import

Produkt informatie

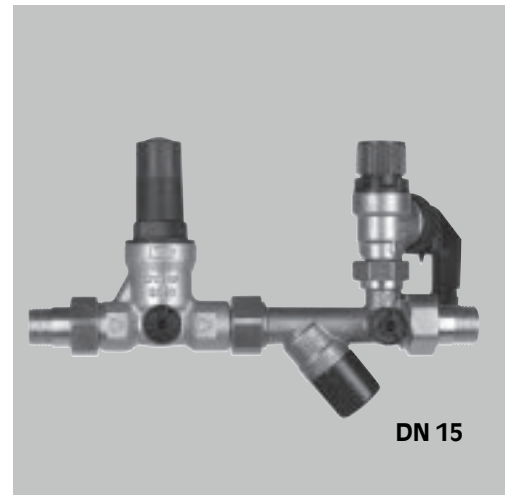
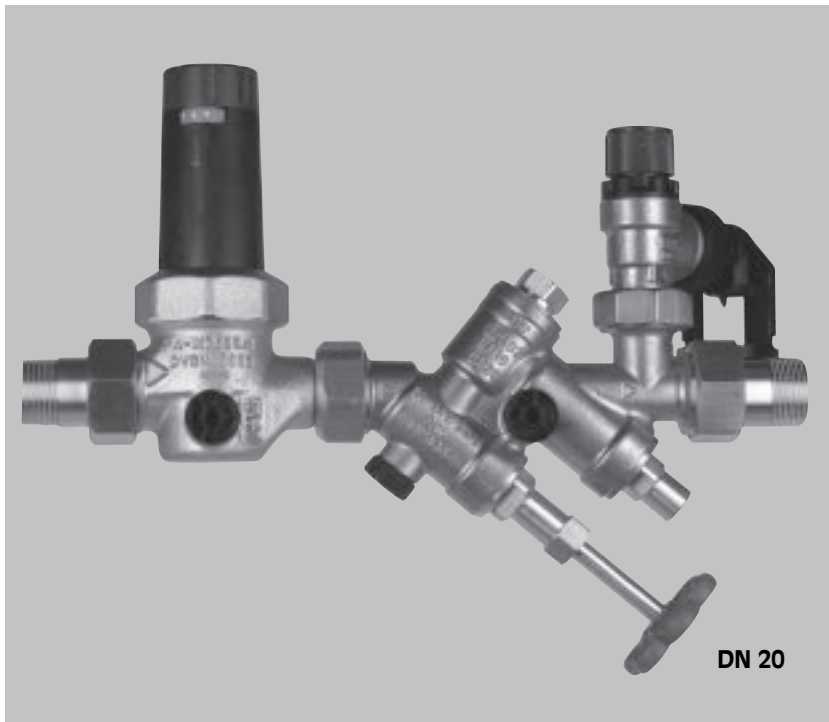


HANS SASSERATH & Co. KG

www.bafa.nl

SYRobloc-Safety Group 25

for water heaters, with pressure reducing valve and wear-resistant stainless steel seat



Field of application

The SYRobloc-Safety Group type 25 optimally protects pressurised (unvented) water heaters against excess pressure according to international standards. It also fulfils the highest European acoustic requirements. It includes all necessary components in a compact form. The pres-

sure relief valve protects the water heater located downstream; the check valve prevents the backflow of heated drinking water.

In addition, a pressure reducing valve located upstream regulates the required system pressure.

Design

The SYRobloc Safety Group type 25 is composed of a pressure reducing valve, a shut-off valve, a check valve with a test port (DN 20 supplied with 2nd shut-off valve), a manometer connection, a diaphragm pressure relief valve as well as a drain tundish with a pipe interrupter that

prevents back-siphonnage of drain water. The diaphragm pressure relief valve with a wear-resistant stainless steel seat is very simple to exchange; a screw connection allows to rotate it by 360° in order to adapt to various installation conditions.



SYRobloc-Safety Group 25

Materials

All materials used for the SYRobloc-Safety Group type 25 fulfil the highest requirements of international standards. All synthetic components getting in contact with water are approved by the German Public Health Office (KTW). The corrosion resistance in particular is guaranteed for all materials. The body, internal parts and unions are made of high-quality low-lead brass alloy. The spring cap of the pressure

relief valve is made of glass fibre reinforced synthetic material; the spring of the pressure relief valve is made of spring steel wire and the spring of the check valve of stainless steel.

All rubber parts in the pressure reducing valve are made of ageing-resistant elastomers and the screw cap of glass fibre reinforced synthetic material. Reinforced diaphragm.

Installation

The opening pressure of the pressure relief valve shall not exceed the permissible operating pressure of the drinking water heater. The dimensioning of the safety group depends on the volume and heating capacity of the water heater (ref. table).

SYRobloc 25 is used when the supply pressure exceeds 80% of the opening pressure of the pressure relief valve. The pressure reducing valve reduces the inlet pressure.

Always install the SYRobloc-Safety Group upstream of the water heater under consideration of the direction of flow; it has to be fitted without applying stresses in the cold water pipe that has been thoroughly flushed beforehand. The particular design of the group allows to install it in angle or in-line way in horizontal and - provided the direction of flow runs upwards - also in vertical pipes.

There shall be no shut-off valves, narrowings or strainers between the pressure relief valve and the water heater. Install the safety

group above the water heater to ensure that the group is readily accessible in order to facilitate servicing and maintenance works. When the safety group is installed as mentioned above, the pressure relief valve can be easily exchanged without having to drain the water heater beforehand. When particular installation conditions do not allow fitting the group that way, use the soldering connection set (accessories) to extend the connection pipe to the pressure relief valve.

Technical data

Fluid:	drinking water
Inlet pressure:	16 bar
Outlet pressure:	1.5 to 6 bar (factory set to 4 bar)
Opening pressure:	standard factory settings 6, 8, 10 bar
Operating temperature:	max. 60 °C
Component approval number:	TÜV-SV-03-545-DN-W-p
Certified by DVGW (Group / PRV)	NW-6311AT2061 / NW-6330AT2061
Acousting protection test number:	PA-IX-1794/I
Serial number:	0025...

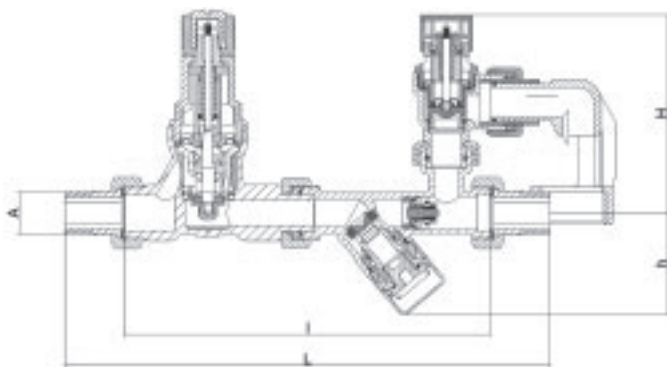
Maintenance

It is recommended for a durable function of the SYRobloc Safety Group to carry out maintenance works on a regular basis. The seat and sealing of the pressure relief valve can be cleaned without altering the pressure. The stainless steel seat is very simple to exchange. The nominal size DN 20 allows the exchange of the check valve

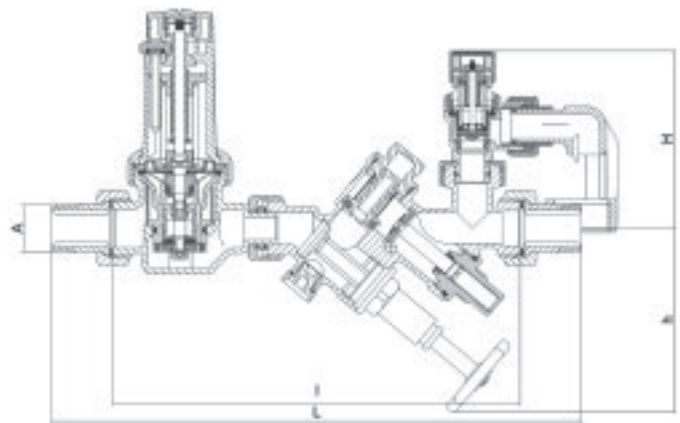
without having to drain the water heater. The exchangeable pressure relief valve 2115.1 can be replaced without having to disassemble the whole group from the pipe. The maintenance of the pressure reducer cartridge can be carried out when mounted and without special tools.

SYRobloc-Safety Group 25

DN 15



DN 20



Nominal size		DN 15		DN 20	
	d (mm)	G 1/2 15		G 3/4 22	
	A	1/2	3/4	3/4	1
Dimensions	L (mm)	232	247	290	310
	l (mm)	175		225	
	H (mm)	90		100	
	h (mm)	50		115	
	Weight (kg)	1,6	1,7	2,3	2,4
max. volume of the water heater	(l)	150		1000	
Heating capacity	(kw)	75		150	

Accessories

Manometer: Type 11
Soldering connection set:
DN 15: 0024.15.905
DN 20: 0024.20.906

SYRobloc-Safety Group 25

Components / Order numbers

① Exchangeable pressure relief valve 2115.1

2115.15.018 6 bar
2115.15.019 8 bar
2115.15.020 10 bar

② Manometer plug

0828.08.000

③ Shut-off valve

0024.15.900

④ Tundish

0214.00.902

⑤ Assembly key for head part exchange

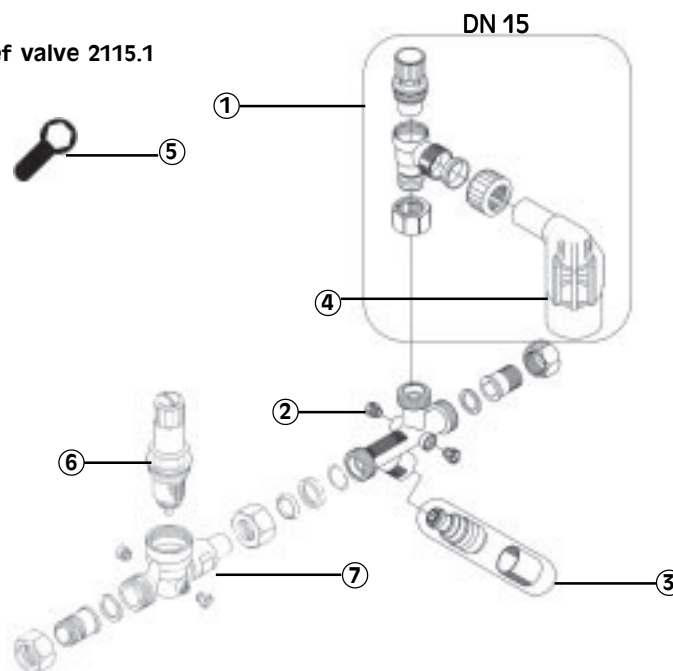
4807.00.906
max. torque 15 Nm

⑥ Pressure reducer cartridge

0312.15.900

⑦ Pressure reducing valve, complete

0315.15.009



① Exchangeable pressure relief valve 2115.1

2115.20.015 6 bar
2115.20.016 8 bar
2115.20.017 10 bar

② Manometer plug

0828.08.000

③ 1st shut-off valve

0024.20.903

④ 2nd shut-off valve

0024.20.902

⑤ Tundish

0214.00.902

⑥ Check valve

0024.20.901

⑦ Assembly key for head part exchange

4807.00.906
max. torque 15 Nm

⑧ Pressure reducer cartridge

0315.20.904

⑨ Pressure reducing valve, complete

0315.20.005

