



**technische import**

# Productinformatie



**A.U.K. MÜLLER GMBH & CO. KG**

**BAFA.NL**

# Product Information

2/2-way drain valves NC, DN 50, IP 65, IP 68



**A. u. K. Müller**

Solenoid valves  
Control valves  
Special valves and systems

A. u. K. Müller GmbH & Co. KG  
Dresdener Str. 162  
D-40595 Düsseldorf/Germany

Tel.: +49(0)211-7391-0  
Fax: +49(0)211-7391-281

e-mail: info@akmueller.de  
Internet: www.akmueller.de

## Series 04.050.116



Valve body: PPE



Valve body: PVDF



Valve body: Stainless steel

## Characteristics

- Direct acting
- Protection type IP 68 using cable, respectively IP 65 using connector
- Normally closed (NC)
- Potted coil
- Coil system protected against corrosion by separation from medium by membrane
- Optional valve body made of PVDF or stainless steel and FKM membrane for higher resistance to chemicals
- Optional flush spout on valve body
- Optional manual emergency override
- Long term performance capability
- Maximum medium temperature 98 °C (208 °F)
- No minimal pressure required
- Suitable for spray- and jet water
- UL approved versions available
- High operating safety by the use of high quality materials and 100% final testing of the products

## Description

2/2-way direct acting dump valve of nominal diameter DN 50 for controlling low aggressive liquid media, such as cleaning or disinfection agents, direct acting with normally closed operation mode NC (normally closed).

Valves of this type are medium separated having a single chamber valve body with the inlet at ninety degrees to the outlet. They can be manufactured in various materials and equipped with threaded or hose connections. Electrical operating safety is achieved by insulation class F and supported by an integrated protective circuit.

Protection type IP 68 is achieved in conjunction with cable connection, IP 65 by using a mounted connector.

The valves can be equipped with an emergency manual override, to ensure the drainage of tanks even in the case of a voltage breakdown.

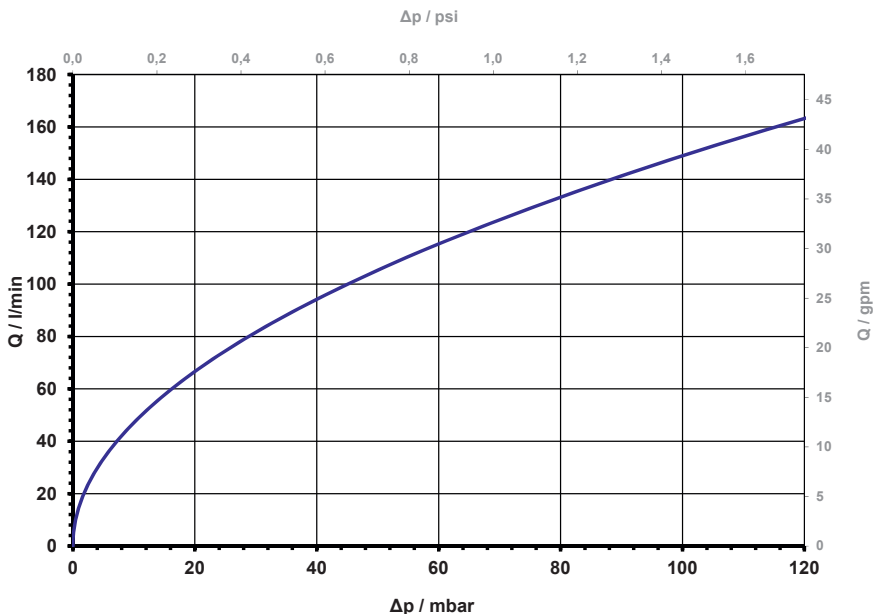
Valve housing made of PPE or stainless steel is suitable for hot water. Valve housing made of PVDF have a higher resistance to chemicals whereas stainless steel has both features.

The smooth internal shape improves liquid flow and avoids dirt traps. The valve bodies can be equipped with an additional flush spout.

## Applications

- Industrial washing machines and dishwashers
- Cleaning devices for medical equipment
- Cleaning and disinfection systems in the dairy industry and process engineering

typical performance curve



# Product Information

2/2-way drain valves NC, DN 50, IP 65, IP 68



A. u. K. Müller

## Series 04.050.116

## Optional flush spout



Valve body: PPE

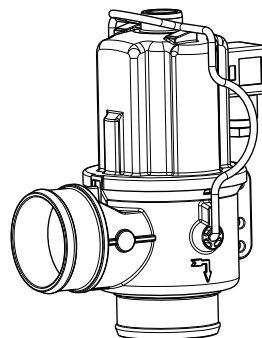
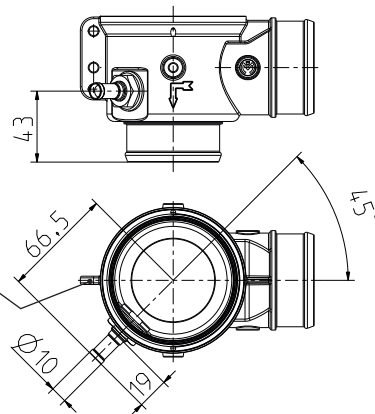


Valve body: PVDF



Valve body: Stainless steel

Thickness of the mounting flange for all valve bodies: 5 mm (0.197 in)



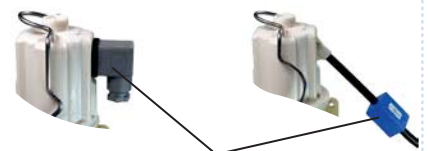
## Materials

Valve body	PPE, PVDF, stainless steel
Plunger guide	Stainless steel
Plunger and spring	Stainless steel
Flush spout	Stainless steel
Membrane and sealings	EPDM FKM
Coil coating	PBT PU potting

The combination of stainless steel valve body and FKM diaphragm is particularly recommended for use in sterilization and disinfection equipment.

## Technical Data

Type	drain valve		
Construction	2/2-way-solenoid valve, direct acting		
Function	NC (normally closed)		
Fitting position	Solenoid pointing upwards (horizontally on demand)		
Media	Low aggressive media, such as cleaning or disinfection agents within potable water		
T-Medium			
PPE	98 (208)	°C (°F) max.	
Stainless steel	98 (208)	°C (°F) max.	
PVDF	50 (122)	°C (°F) max.	
T-Ambient	60 (140)	°C (°F) max.	
DN	50 (1.969)	mm (in)	
p-Operating	0 - 120	mbar	
	(0 - 1.74)	(psi)	
on request	0 - 180	mbar (not for USA)	
	(0-2.61)	(psi)	
Coil type	MS.010 integrated protection circuit (high voltage peak limitation) and rectifier		
Nominal voltage	12	V DC	
	24	V DC	
	24	V AC/DC	*)
	110	V AC/DC	
	200-240	V AC/DC	
	400	V AC/DC	
Voltage tolerance	±10%		
Duty cycle	100 %		
Nominal power	24	W	
Protection Type	IP 68	With cable according to EN 60529	
	IP 65	With plug socket according to EN 175301-803	
Insulation class	F	According to EN 60730	
Protection class	I	According to EN 60730 (for incorporation in class I)	



\*) Exception:

Depending on the required connection type, the rectifier for version 24 V AC/DC is located within a grey plug or within a sealed housing in line with the cable.

	KL
Standard cable length (IP 68 only)	1000 mm (39.370 in)
other cable length on request	

# Product Information

2/2-way drain valves NC, DN 50, IP 65, IP 68



A. u. K. Müller

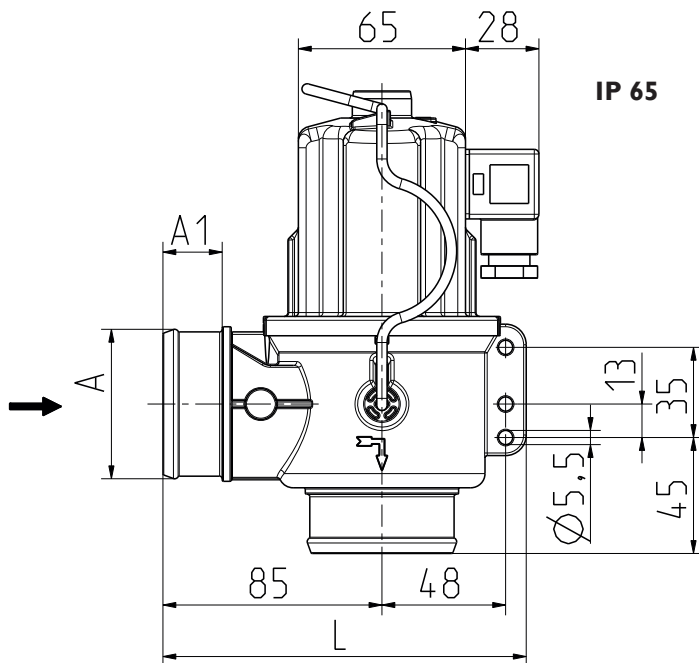
Series 04.050.116

without emergency manual override

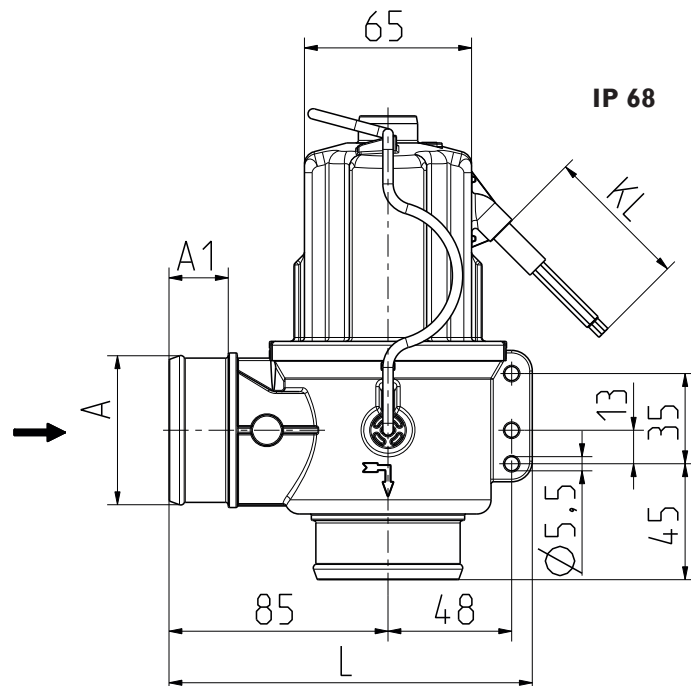
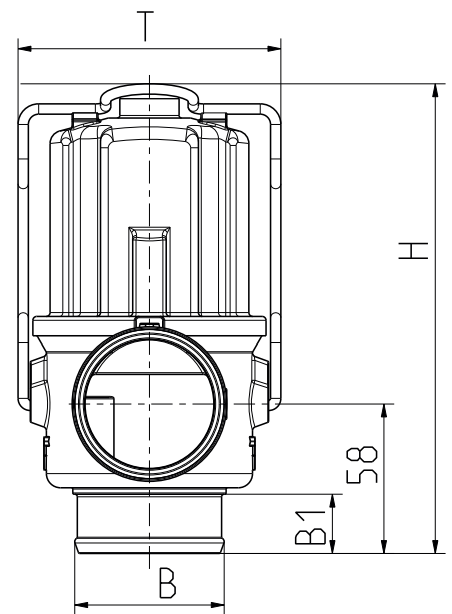


## Options

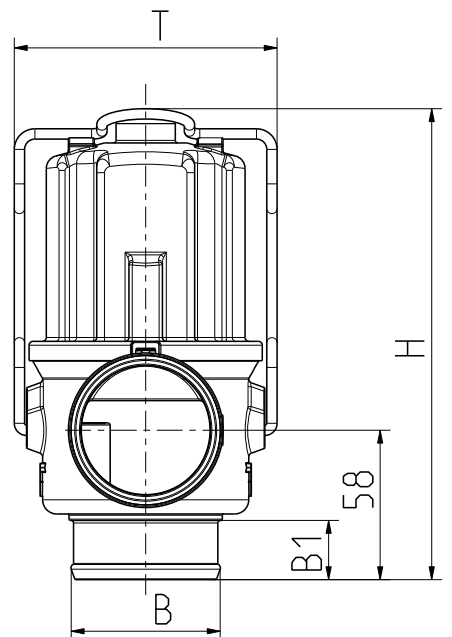
Material	Ø A	A1	Ø B	B1	L	H		T
						without emergency manual override	with emergency manual override	
PPE / PVDF	G 2	23 (0.906 in)	Nozzle 2"	23 (0.906 in)	141 (5.551 in)	185 (7.283 in)	206 (8.110 in)	103 (4.005 in)
	G 2		G 2					
	Nozzle 2"		Nozzle 2"					
	Nozzle 2"		G 2					



IP 65



IP 68



# Product Information

2/2-way drain valves NC, DN 50, IP 65, IP 68

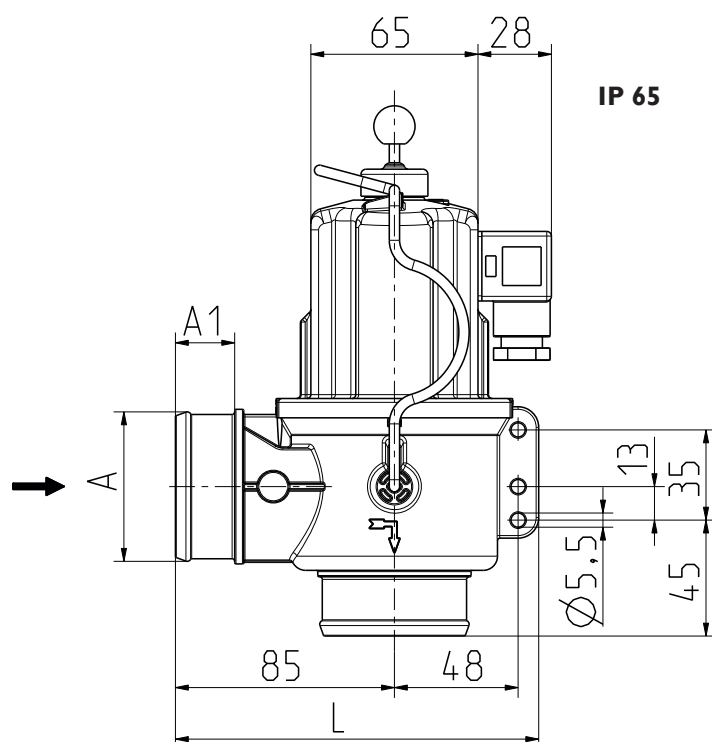


A. u. K. Müller

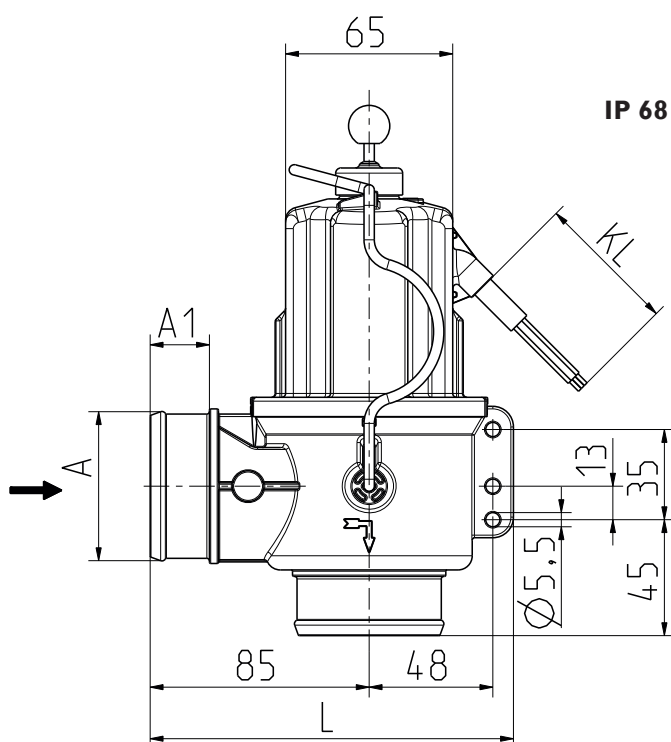
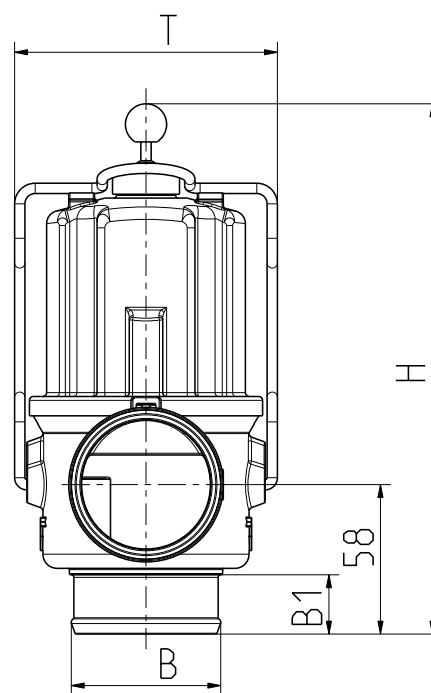
Series 04.050.116

with emergency manual override

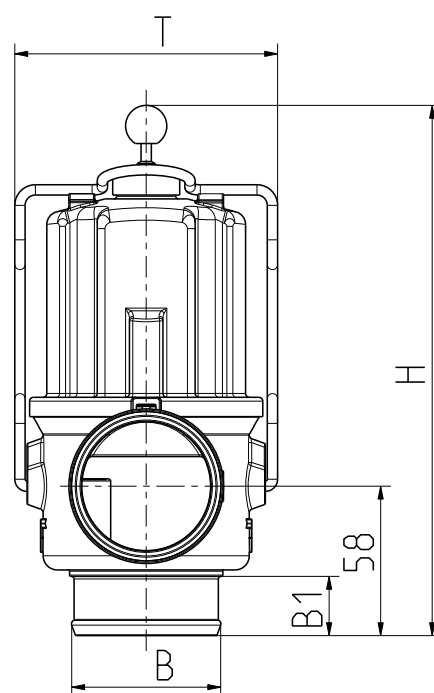
Pull ball handle to open the valve



IP 65



IP 68





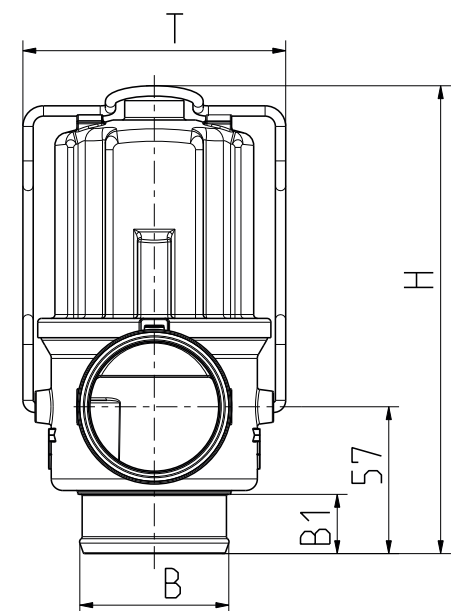
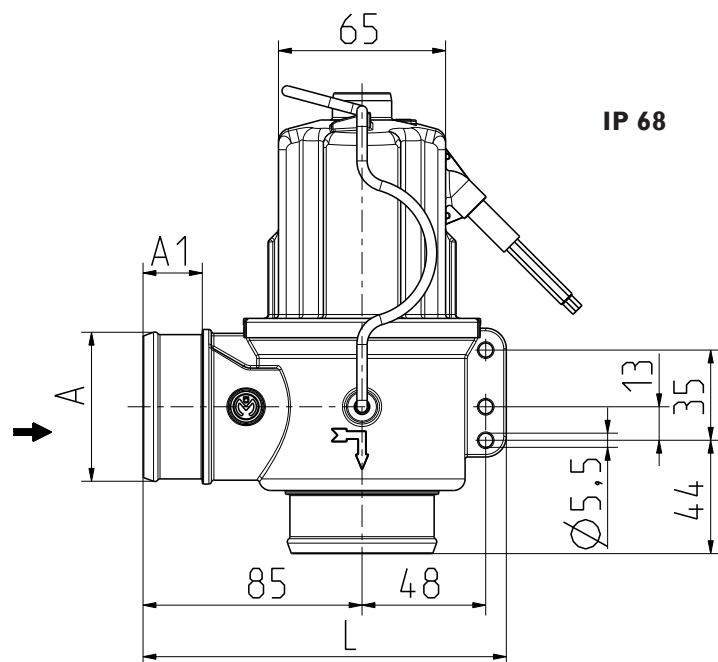
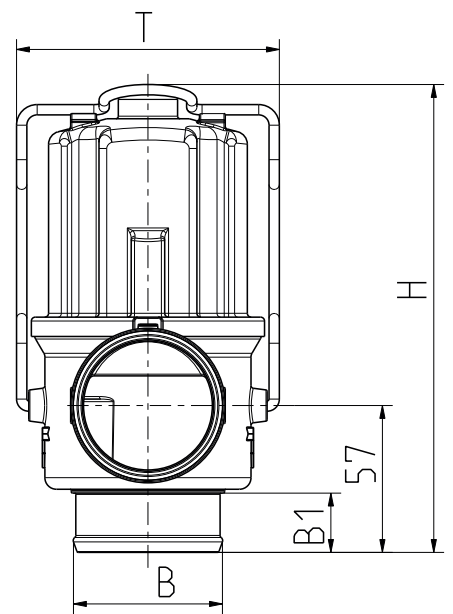
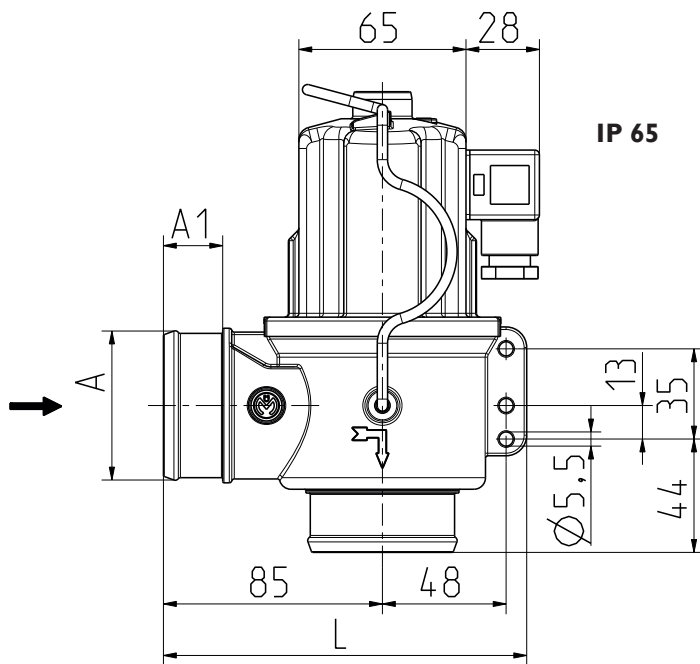
**Series 04.050.116**

without emergency manual override



**Options**

Material	Ø A	A1	Ø B	B1	L	H	H	T
Stainless steel on request	G 2	23 (0.906 in)	Nozzle 2"	23 (0.906 in)	141 (5,551 in)	185 (7,283 in)	Without emergency manual override	103 (4,055 in)
	G 2		G 2				With emergency manual override	
	Nozzle 2"		Nozzle 2"					
	Nozzle 2"		G 2					

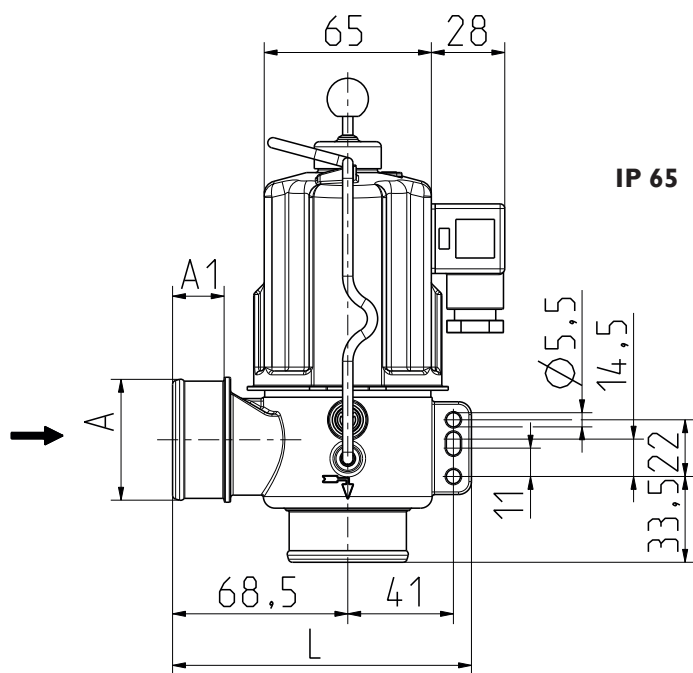




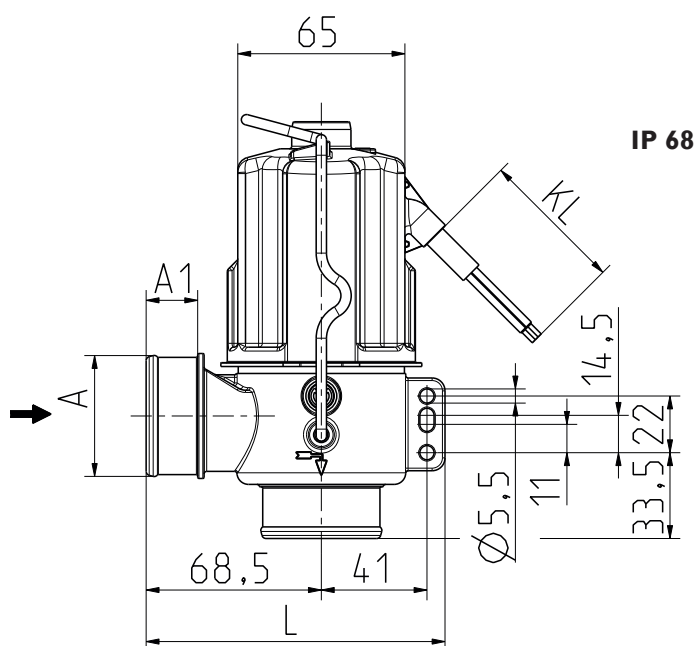
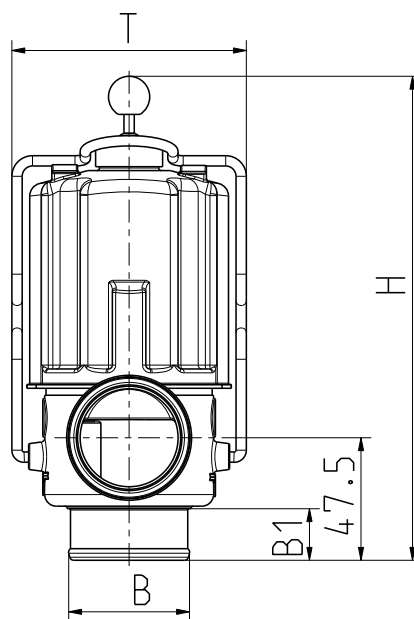
Series 04.050.116

with emergency manual override

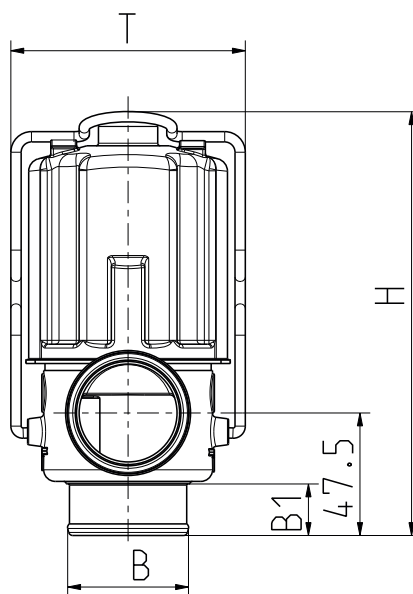
Pull ball handle to open the valve



IP 65



IP 68





# **technische import**

Nijverheidsweg 11  
7005 AS Doetinchem  
T. +31 (0) 314-344342  
E. [info@bafa.nl](mailto:info@bafa.nl)

**BAFA.NL**