



technische import

Productinformatie



A.U.K. MÜLLER GMBH & CO. KG

BAFA.NL

Product Information

Bi stable integrated cartridge valve, DN 7 urinal applications



A. u. K. Müller

Solenoid valves
Control valves
Special valves and systems

A. u. K. Müller GmbH & Co. KG
Dresdener Str. 162
D-40595 Düsseldorf/Germany

Tel.: +49(0)211-7391-0
Fax: +49(0)211-7391-281

e-mail: info@akmueller.de
Internet: www.akmueller.de

Series 050-U07-06I/-09I



Patented EP 0 930 402

Applications

- automatic sanitary urinals

Description

2/2-way solenoid cartridge servo controlled valve of DN 7 in bi stable version with integrated sensor and electronics, to be used particularly in electronically controlled urinals.

The design's compact outline enables trouble free integration of the unit into the urinals.

A LED flashes each time, to signal that the detection area had been entered or left.

Start up using default settings on power on. Plug on battery is all what is needed.

Within the first 30 minutes after power on, a sleep mode may be activated, to enable an elongated storing period of the battery equipped urinals by reducing bias current.

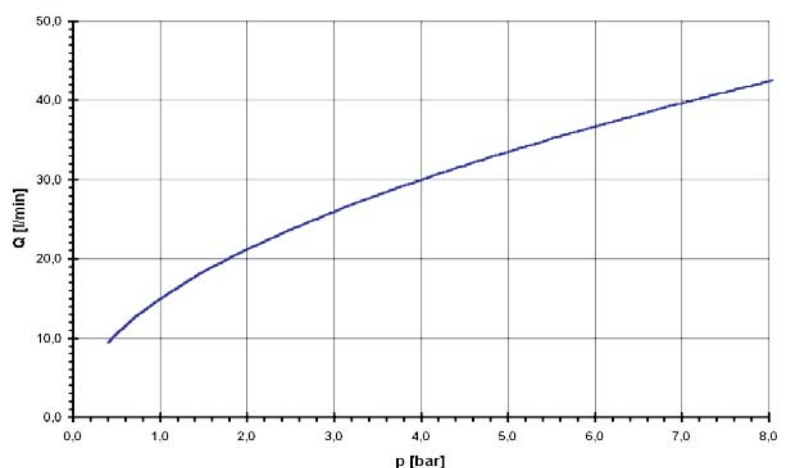
Individual settings may be achieved by an optional IR-remote control. (detection range, on- off, follow-up time)

The screw in type simplifies assembly, service and check.

Characteristics

- servo-controlled
- pre tested functional unit
- long term performance capability
- internal triple pollution protection
- compact design
- optimized Cv-value for DN 7
- optimized water hammer characteristic by low noise emission according to EN 60730
- easy to assemble and service
- standard connection
- cylindrical design
- low power consumption
- any fitting position
- suitable for spray and jet water
- high operating safety through the use of high quality materials and 100% final testing of the products
- optoelectronic IR sensor with micro controller for contactless operating of cartridge valve
- encapsulated electronic, protection type IP 65
- electronic completely wired to cartridge valve
- low bias current for elongated battery lifetime
- enforced flush after 24 hours without any detection
- start up with default settings on power on. Plug on battery is all what is needed

typical performance curve

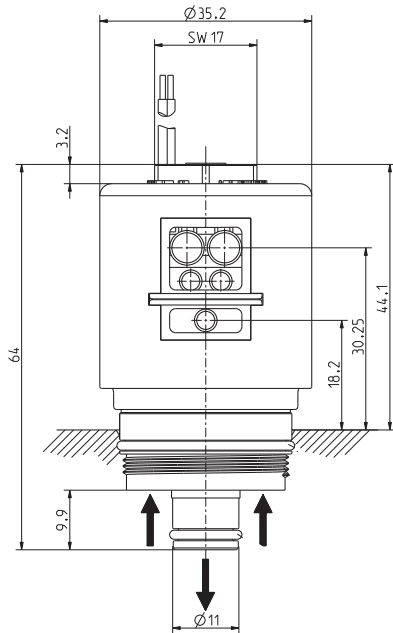


Bi stable integrated cartridge valve, DN 7 urinal applications

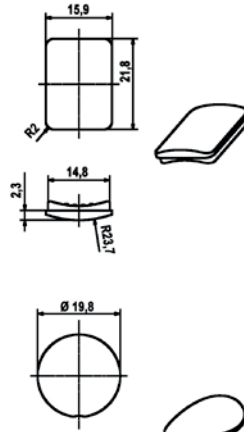


A. u. K. Müller

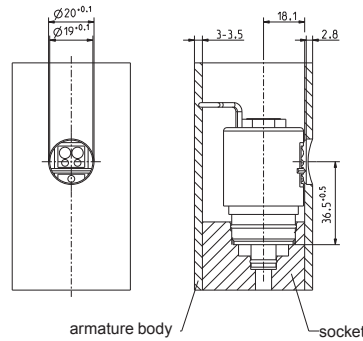
Series 050-U07-061/-091



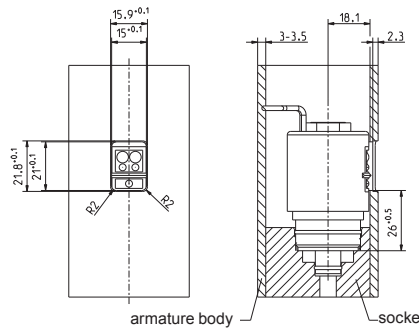
protection windows



installation within armature using a circular window

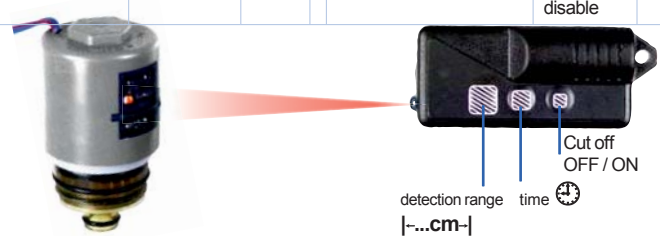


installation within armature using a squared window



Materials	
Valve body	PEI
Plunger guide	stainless steel
Plunger	stainless steel
Membrane and sealings	EPDM NBR (on request) VMQ (on request)
Coil	1.0338 "pot"-bracket
Filter	stainless steel (in inlet)
Top cover	POM

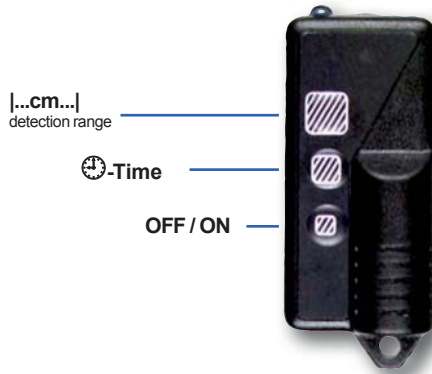
Options					
standard cable lenght			IR - remote controll IRS-RC3 available		
with leads and connector	100	mm	detection range	120 - 800	mm
with leads	120	mm	flush time	0,5 - 15,5	sec
connector	on request		permanent - OFF	enable/ disable	



Technical Data	
Type	2/2-way-cartridge valve
Construction	screw in, servo controlled
Function	bi stabil, pulse controlled
Connection	thread M28 x 1
fitting position	any
Media	cold and heated potable water and physically and chemically similar media
T-Medium	5 - 70 °C.
T-Ambient	5 - 60 °C
DN	7 mm
p-operating	0,5 - 8,0 bar
Cv-value	20 l/min (with Silencer Qmax 20 l/min patented EP 0 999 392)
Pressure surge	according to EN 60730
Coil type	MS.033
Nominal voltage	6 V DC 9 V DC
	special voltages on request
Operating voltage	5,0 - 6,0 V DC open/close 7,5 - 9,0 V DC open/close
Signal of low voltage levels	< 5,0 V LED flashing < 4,7 V LED persistent signal, valve will be closed permanent < 7,5 V LED flashing < 7,0 V LED persistent signal, valve will be closed permanent
Battery voltage detection	automatic
Grade of noise	II in test housing
Lifetime of valve	min. 280.000 cycles / 5 a
Lifetime of battery	6 V Lithium (min. 1.300 mAh) approx. 4 years ... 9 V Alkaline (min. 600 mAh) approx. 2,7 years for 150 actuations / day
Duty cycle	100%
Nominal power	0,5 - 1,2 W
Protection type	IP 65 higher IP classes on request
Insulation class	F according to EN 60730
Protection class	III according to EN 60730
IR detection range	automatically on Power ON
Default settings ..	
Detection range	650 mm (± 25%) w/o IR-window
Min. length of stay	7,5 sek (± 25 sec%)
Flushing time	5,5 sec (± 1 sec)
Enforced flush	every 24 h w/o detection
Follow up time	< 2,5 sec (depends on operating pressure)



Accessory remote control IRS-RC3



Characteristics

- For external IR-sensor
- Compact design
- Easy to use
- Change of default settings
- Coverage range and timing can only be adjusted within a time period of 30 minutes after Power-On of the sensor

Applications

- Parameter adjustment for integral cartridge valve urinal
- ON/OFF application of the sensor (for maintenance or cleaning process)

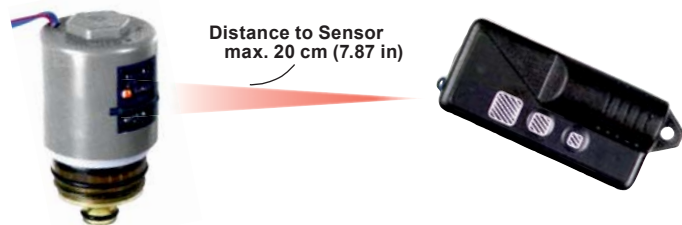
Description

The default settings are effectual for a variety of applications, but can be modified by the remote control if required. Three buttons are located on the remote control to modify the coverage range, rinsing time and the switch-off function of the sensor.

The IR remote control has to be kept within a distance of approx. 20 cm (7.87 in) and a bit sidewise to the front of the IR receptor.

This remote control for IR-sensors is mostly addressed to plumbers who have to adjust parameters different to the default settings.

End users may also adjust the IR-Sensor on site to their individual needs.



LED signal of sensor to confirm settings.

● = Flashing of LED

Holding the IRS-RC3 a bit sidewise outside the detection range of the sensor will avoid an unintended detection with a subsequent flush.

- Dimensions for remote control
60 x 30 x 15 mm
(2.36 x 1.18 x 0.59 in)
- Supply voltage
6 V - DC
- Coverage range approx. 200 mm (7.87 in)
- Replacement alkaline battery
E11A – 6V - Energizer



The detection range and timing can only be adjusted within 30 minutes after Power-On of the sensor. Disconnect power and reconnect after 5 s to restart the time period of 30 minutes if needed.



After the time of 30 minutes has elapsed only the OFF/ON button is active.



technische import

Nijverheidsweg 11
7005 AS Doetinchem
T. +31 (0) 314-344342
E. info@bafa.nl

BAFA.NL