



technische import

Productinformatie



A.U.K. MÜLLER GMBH & CO. KG

BAFA.NL

Product Information

Mono stable axial cartridge valve, DN 7



A.u.K. Müller

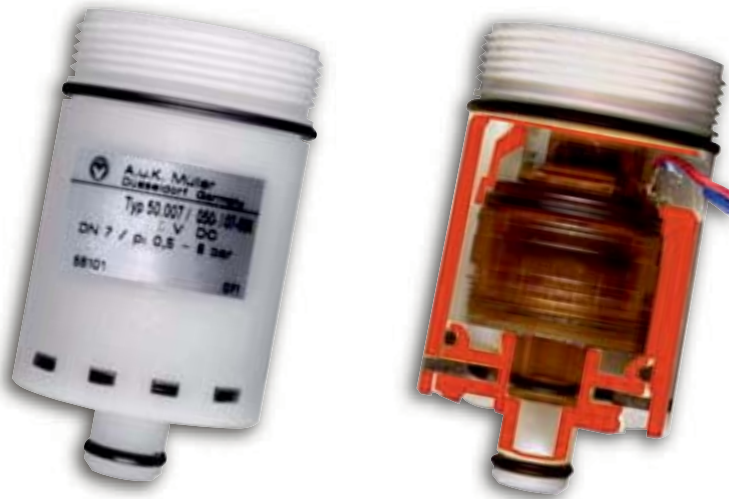
Solenoid valves
Control valves
Special valves and systems

A.u.K. Müller GmbH & Co. KG
Dresdener Str. 162
D-40595 Düsseldorf/Germany

Tel.: +49 211 7391-0
Fax: +49 211 7391-281

e-mail: info@akmueller.de
Internet: www.akmueller.de

Series 050-M07-12X/-24X



Patented EP 0 936 317

Characteristics

- servo-controlled
- pre tested functional unit
- long term performance capability
- internal triple pollution protection
- compact design
- optimized Cv-value for DN 7
- optimized water hammer characteristic by low noise emission according to EN 60730
- easy to assemble and service
- standard connection
- cylindrical design
- low power consumption
- any fitting position
- suitable for spray and jet water
- high operating safety through the use of high quality and 100% final testing of the products

Applications

- sanitary fittings
- irrigation systems
- industrial appliances
- pilot system for valves with a larger nominal diameter

Description

2/2-way solenoid cartridge servo controlled valve of DN 7 in mono stable version, to be used particularly in electronically controlled sanitary fittings.

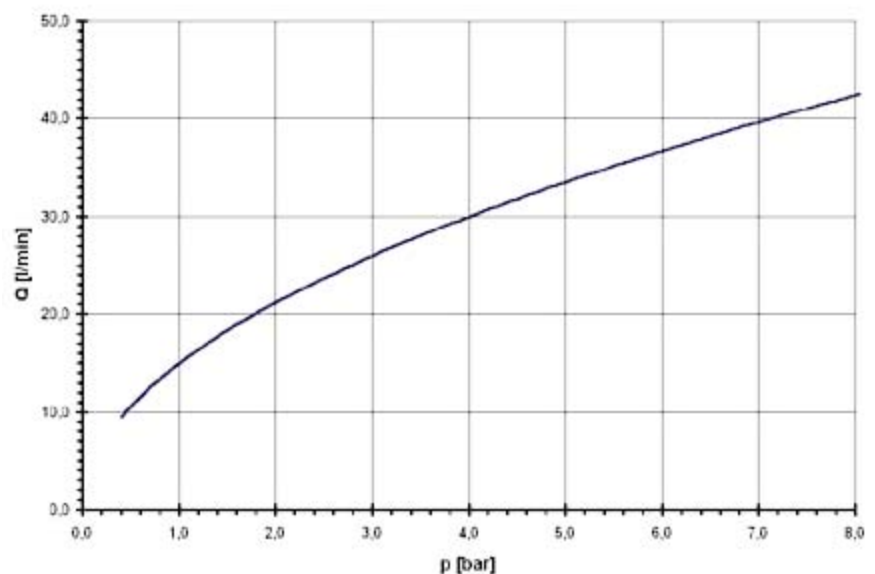
The design outline had been reduced so far, that integration in appropriate components while using a minimum amount of space, is given.

Positive properties are extended due to the simple "screw in" version, which supports easy assembly, service and tests by the customer.

The design of a separate valve seat by the customer is not to apply, as otherwise is needed, if a pilot valve will solely be used.

The rate of flow of the cartridge valve has been optimized in such a way, that the nominal diameter of DN 7 fulfils the standard requirements for sanitary tap ware.

typical performance curve

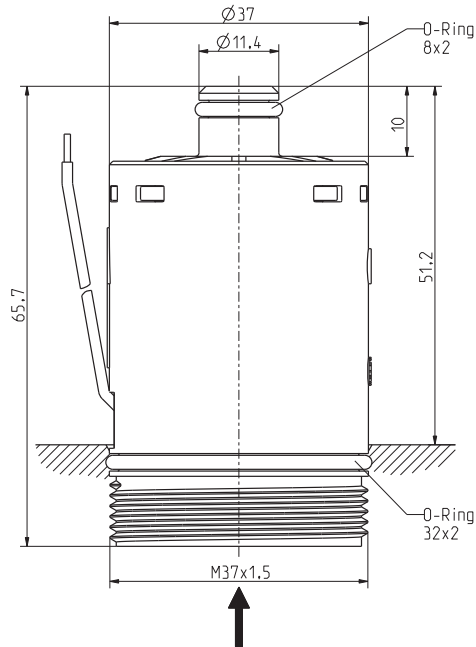


Product Information

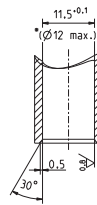


A.u.K. Müller

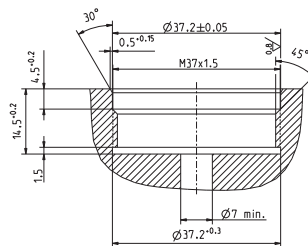
Series 050-M07-12X/-24X



| Materials | |
|-----------------------|---|
| Valve body | POM, PEI |
| Plunger guide | stainless steel |
| Plunger | stainless steel |
| Membrane and sealings | EPDM NBR (on request) VMQ (on request) |
| Coil | 1.0338 "pot"-bracket |
| Filter | stainless steel (in inlet) |
| Certification | NSF, WRAS materials in contact with potable water are physiological harmless |



Auslaufkontur



Einschraubkontur

Technical Data

| | | |
|-------------------|---|------------------------------|
| Type | 2/2-way-cartridge valve | |
| Construction | screw-in, servo controlled | |
| Function | normally closed (NC) | |
| Connection | thread M37 x 1,5 | |
| Fitting position | any | |
| Media | cold and heated potable water and physically and chemically similar media | |
| T-Medium | 5 - 70 | °C. |
| T-Ambient | 5 - 60 | °C |
| DN | 7 | mm |
| p-Operating | 0,5 - 8,0 | bar |
| Cv-value | 15 | l/min |
| Pressure surge | according to EN 60730 | |
| Coil type | MS.033 | |
| Nominal voltage | 12 | V DC |
| | 24 | V DC |
| | special voltage on request | |
| Voltage tolerance | -15 % +10 % | |
| Voltage reduction | | |
| | tstart : 100 ms tp:T ≥ 1:4 [≥1,6kHz] PWM | |
| Duty cycle | 100% | |
| Nominal power | 2 W | |
| Protection Type | IP 65 | higher IP-classes on request |
| Insulation class | F | according to EN 60730 |
| Protection class | III | according to EN 60730 |

Options

| Connection type | standard cable length |
|--------------------------|-----------------------|
| with leads and connector | 100 mm |
| with leads | 120 mm |
| connector | on request |



technische import

Nijverheidsweg 11
7005 AS Doetinchem
T. +31 (0) 314-344342
E. info@bafa.nl

BAFA.NL