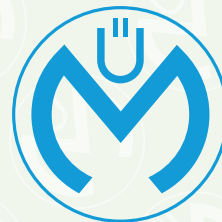




technische import

Produkt informatie



A.U.K. MÜLLER GMBH & CO. KG

www.bafa.nl

Solenoid valve / Float valve NC, DN 10 two chambers in line



A.u.K. Müller

Solenoid valves
Control valves
Special valves and systems

A.u.K. Müller GmbH & Co. KG
Dresdener Str. 162
D-40595 Düsseldorf/Germany

Tel.: +49 211 7391-0
Fax: +49 211 7391-281

e-mail: info@akmueller.de
Internet: www.akmueller.de

Series 21.010.225



Characteristics

- proportional behaviour
(flow depends on position of float lever)
- servo-controlled
- normally closed (NC)
- long term performance capability
- easy to assemble and service
- solenoid replaceable while medium circuit remains untouched, solenoid rotatable 4 x 90°
- change of filter without disassembly of the valve possible
- high operating safety through the use of high quality materials and 100% final testing of the products

Applications

- irrigation systems
- industrial appliances
- air conditioning
- cleaning systems
- dish washers
- washing machines
- water treatment

Description

Float valves are commonly used in industrial applications to maintain a constant level in a tank. For cleaning purposes the tank is often drained and the water supply has to be isolated to prevent the float valve automatically refilling the tank. By incorporating a normally closed servo-controlled solenoid valve upstream of the float valve, but in the same body, this acts as the shut off to the supply line. This combined valve allows other equipment connected to the same supply to remain in operation and also avoids the unintentional refill of the tank in the event of power failure.

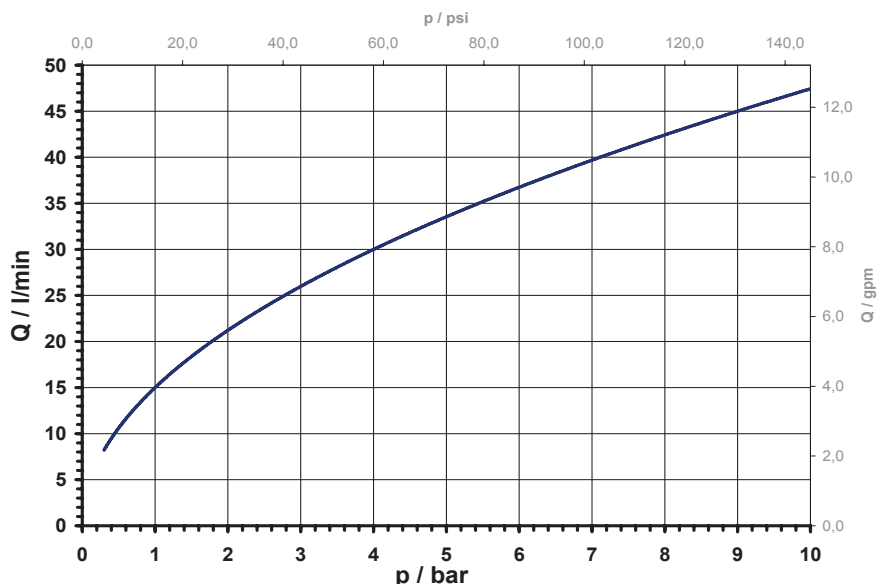
These valves have a two chamber, straight through body which can be manufactured with various connections.

Coil systems for all common voltage and frequency ranges are available.

The valve is rated to insulation class F to ensure electrical operating safety, although an additional integrated protective circuit can also be included.

By using high quality insulation materials, a continuous 100% duty cycle is possible. Corrosion of the inner parts of the valve which are exposed to the medium is prevented by using high specification stainless steel.

typical performance curve

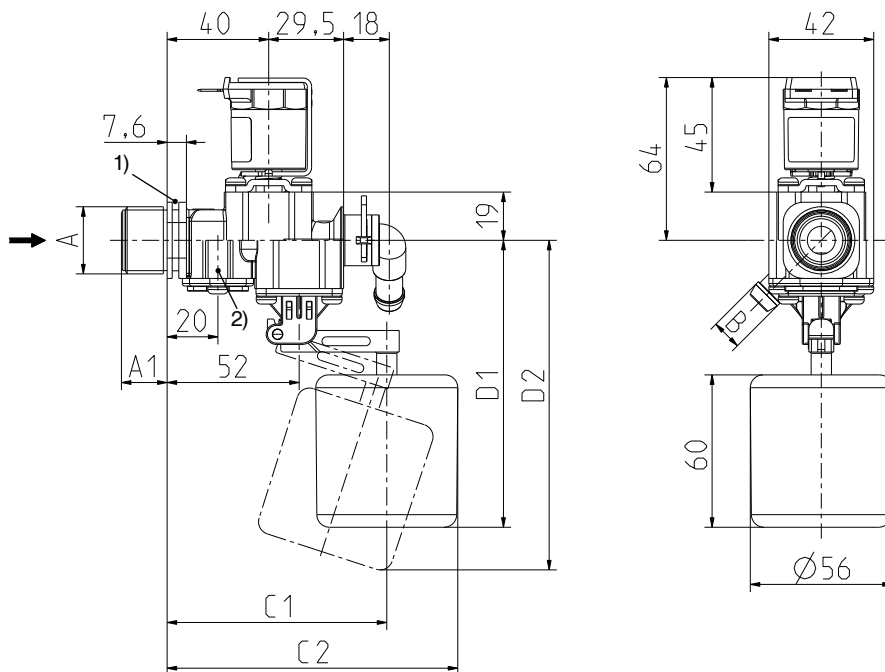


Solenoid valve / Float valve NC, DN 10 two chambers in line



A.u.K. Müller

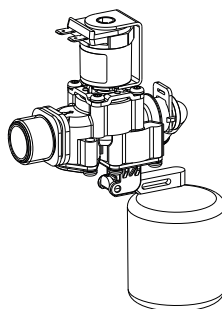
Series 21.010.225



- 1) Fixing groove
- 2) Filter compartment

Materials

Valve body	PA 66, glass fibre reinforced
Plunger guide	stainless steel
Plunger	stainless steel
Membrane and sealings	EPDM
Float cylinder	PE-foam polystyrene on request
Float lever	POM
Coil coating	PBT, PET or epoxy resin
Filter	POM (in inlet) stainless steel on request



Technical Data

Type	solenoid / float valve	
Construction	2/2-way, two chambers in line, servo-controlled	
Function	NC (normally closed)	
Fitting position	floaters pointing downwards	
Media	cold and heated potable water and physically and chemically similar media	
T-Medium	30 60	°C max. polystyrene °C max. PE
T-Ambient	as per T-Medium	
DN	10	mm
p-Operating	0,3 - 10	bar
Cv-value	15	l/min
Flow regulator	on request	
Pressure surge	according to EN 60730	
Coil type	MS.006, MS.024, MS.025	
Nominal voltages	220 - 240 110 110 - 127 24 12 24 12	V AC V AC V AC V AC V AC V DC V DC 50-60 Hz 50 Hz 60 Hz 50/60 Hz 50/60 Hz
	other voltages on request	
Voltage tolerance	+10% -15%	
Duty cycle	100%	
Nominal power	8,5 W	13 VA (AC only)
Protection type	IP 00 up to IP 68	
Coil connections	flat tabs 6,3 x 0,8 mm plug socket according to EN 175301-803 (IP65), several cable connections (IP67, IP68)	
Insulation class	F	according to EN 60730
Protection class	I	according to EN 60730 (for incorporation in class I)

Options

Lever dimensions	a)	b)
D1	113	180
D2	131	203
C1	87	116
C2	115	144

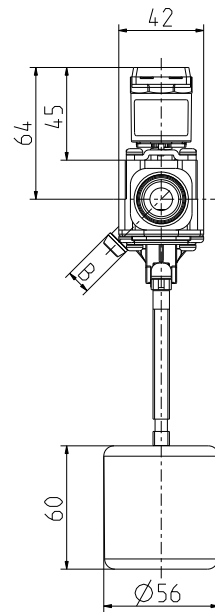
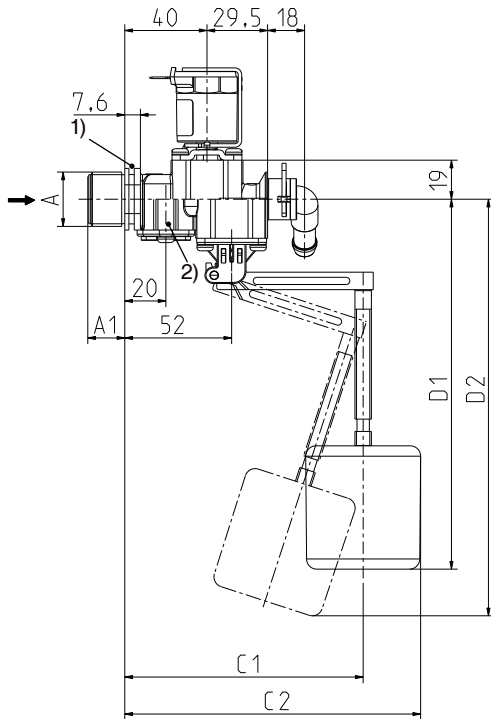
MS.006 (IP00)	
MS.025 (IP67, IP68)	
MS.024 (IP65)	

Solenoid valve / Float valve NC, DN 10
two chambers in line

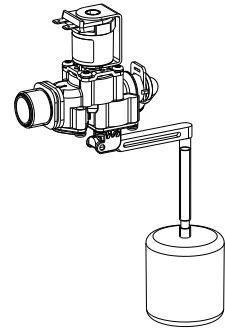


A.u.K. Müller

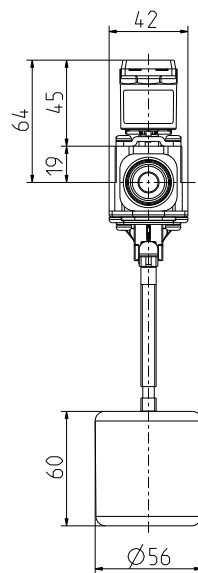
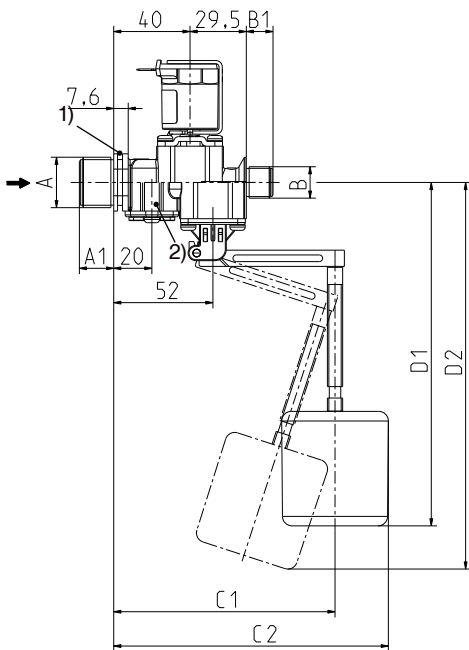
Series 21.010.225



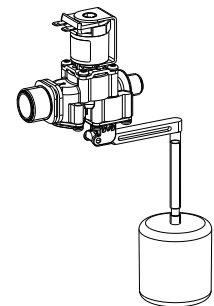
elbow



- 1) Fixing groove
- 2) Filter compartment



straight



Options

Material	Inlet		Outlet	
	Ø A	A1	Ø B	B1
elbow				
PA 66	G 3/4	18,0	12,0 nozzle	19,0
PA 66	G 3/8	14,0	12,0 nozzle	19,0
straight				
PA 66	G 3/8	14,0	G 3/8	14,0
PA 66	G 3/8	14,0	12,0 nozzle	17,0
PA 66	G 3/4	18,0	12,0 nozzle	17,0
PA 66	G 3/4	18,0	G 3/8	14,0