



**technische import**

# Productinformatie



**A.U.K. MÜLLER GMBH & CO. KG**

**BAFA.NL**

## Dirt strainer, DN 17

# Product Information



## A. u. K. Müller

Solenoid valves  
Control valves  
Special valves and systems

A. u. K. Müller GmbH & Co. KG  
Dresdener Str. 162  
D-40595 Düsseldorf/Germany

Tel.: +49(0)211-7391-0  
Fax: +49(0)211-7391-281

e-mail: info@akmueller.de  
Internet: www.akmueller.de

### Series 12.017.800



### Characteristics

- Three-stage filter insert
- Two-stage filter also available
- Filter inserts are replaceable



### Applications

- Drinking water supplies
- Filter insert for servo controlled valves inlet of 3/4" BSP / Ø 19 mm internal diameter

### Description

The three-stage dirt strainer combines three consecutively arranged filters of different mesh sizes in one housing.

It ensures coarse, medium and small particles are filtered out of the flowing medium.

The large filter area allows for a high flow rate, despite the smallest filter mesh size being just 0,2 mm.

The dirt strainer is available with G 3/4 male or female thread allowing easy integration in existing applications.

### Technical Data

Type	Dirt strainer	
Construction	mechanical three-stage filter optional two-stage filter	
Fitting position	any	
Media	cold and heated potable water and physically and chemically similar media	
T-Medium		
1 - 6	90	°C max.
7, 8	65	°C max.
DN	17	mm
p-Operating	10	bar max.

### Materials

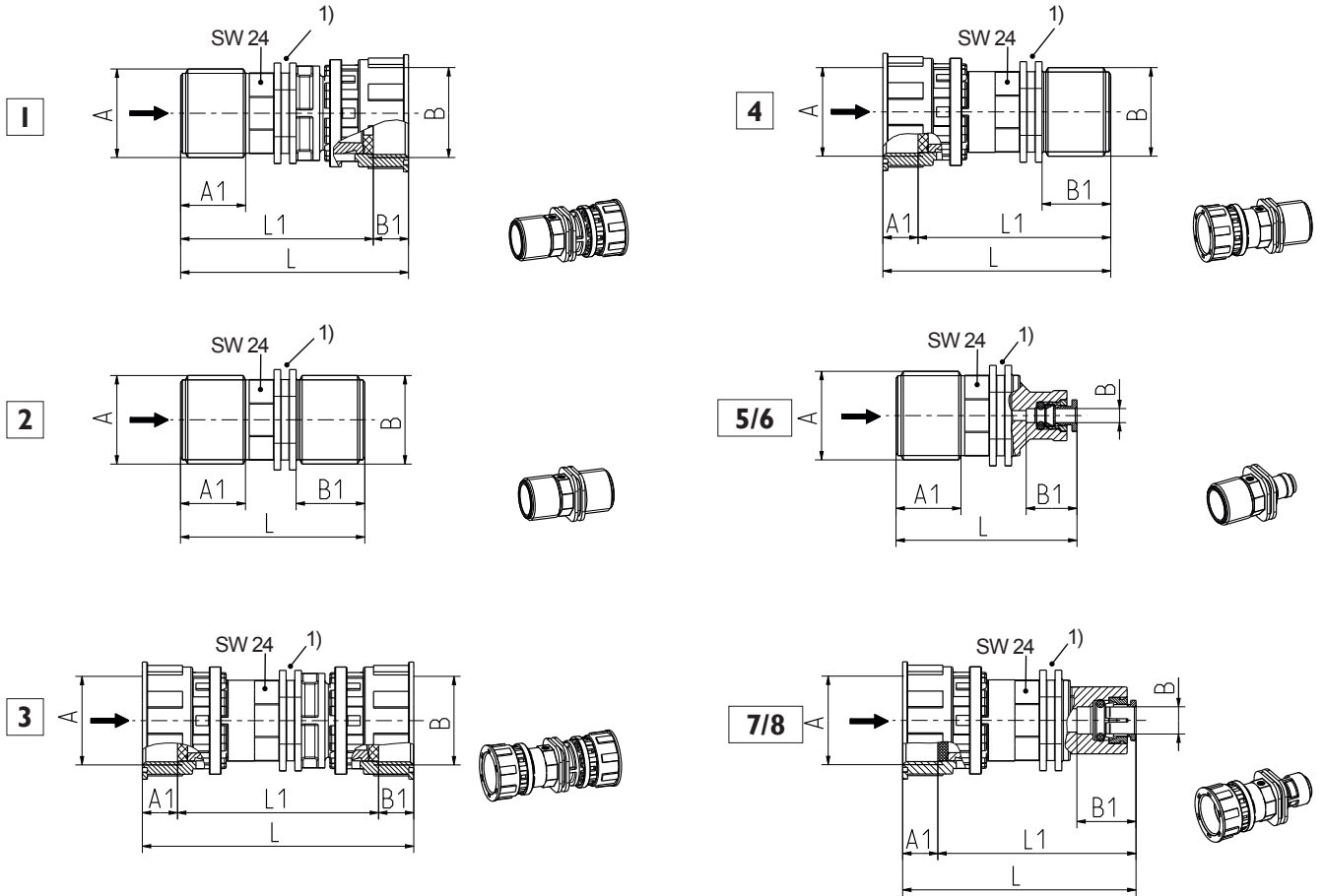
Body	PA 6/6 glass fibre reinforced	
Socket of filter stack	PPE	
Filter	stainless steel	
Mesh sizes	0,5	mm
	0,315	mm
	0,2	mm
Seal Swivel nut	EPDM	
1, 3, 4, 7, 8		
Push-Fit	PPSU / EPDM (o-ring)	
5, 6		
7, 8	POM / EPDM (o-ring)	



1) Optional: flange ID: 001245



**Series I2.017.800**



1) Groove for flange

Options								
Type	ID	Material	Inlet			Outlet		Length
			Ø A	A1	L1	Ø B	B1	
1	092450	PA 6/6	G 3/4	20,0	58,0	G 3/4 female gland nut	10,0	68,0
2	092451	PA 6/6	G 3/4	20,0	-	G 3/4	20,0	55,0
3	092452	PA 6/6	G 3/4 female gland nut	10,0	61,0	G 3/4 female gland nut	10,0	81,0
4	092453	PA 6/6	G 3/4 female gland nut	10,0	58,0	G 3/4	20,0	68,0
5	092456	PA 6/6	G 3/4	20,0	-	Push-Fit Ø 4 mm <sup>1)</sup>	15,0	54,0
6	092457	PA 6/6	G 3/4	20,0	-	Push-Fit Ø 6 mm <sup>2)</sup>	16,0	54,0
7	092458	PA 6/6	G 3/4 female gland nut	10,0	60,0	Push-Fit Ø 8 mm <sup>3)</sup>	18,0	70,0
8	092459	PA 6/6	G 3/4 female gland nut	10,0	60,0	Push-Fit Ø 10 mm <sup>4)</sup>	20,0	70,0

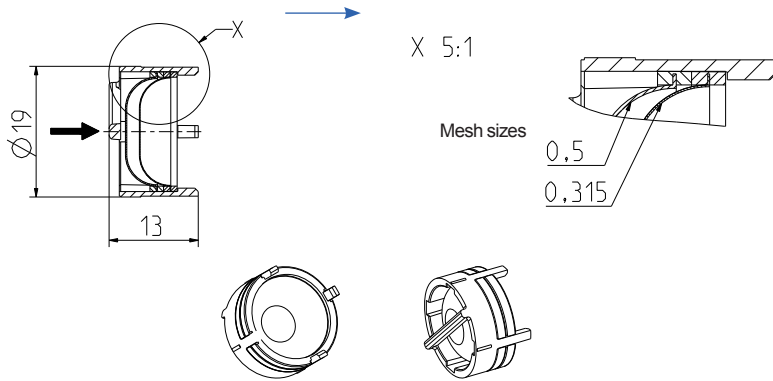
Three-stage filter staple Version | Two-stage filter staple on request.  
Other connection combinations of the housing on request.

<sup>1)</sup> FitSys 18 Connection Type G  
<sup>2)</sup> FitSys 18 Connection Type F  
<sup>3)</sup> JohnGuest Connection Type PM2808E  
<sup>4)</sup> JohnGuest Connection Type PM2810E

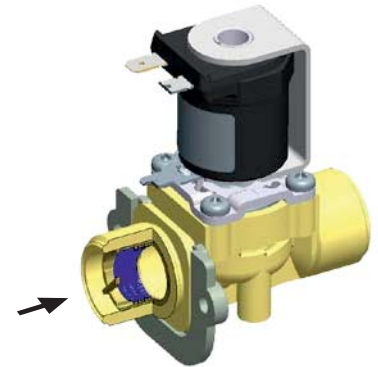


Series I2.017.800

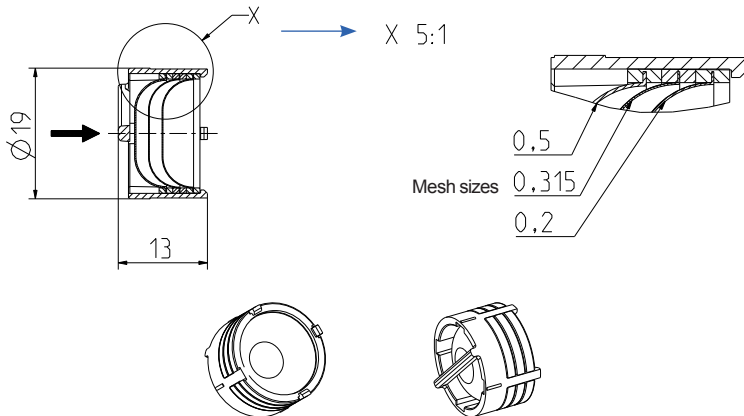
Filter stack assembly - two stage ID: 008828



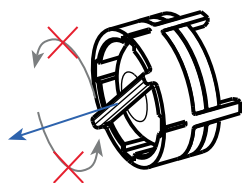
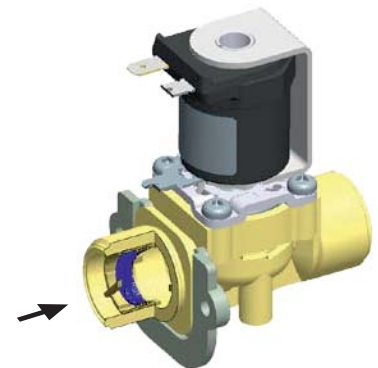
Two-stage filter staple in inlet of valve G 3/4 Ø19 inner diameter. (e.g. 01.010.126)



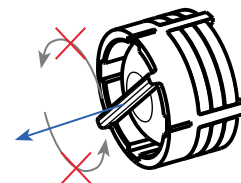
Filter stack assembly - three stage ID: 008829



Three-stage filter assembly in inlet of valve G 3/4 Ø19 inner diameter. (e.g. 01.010.126)



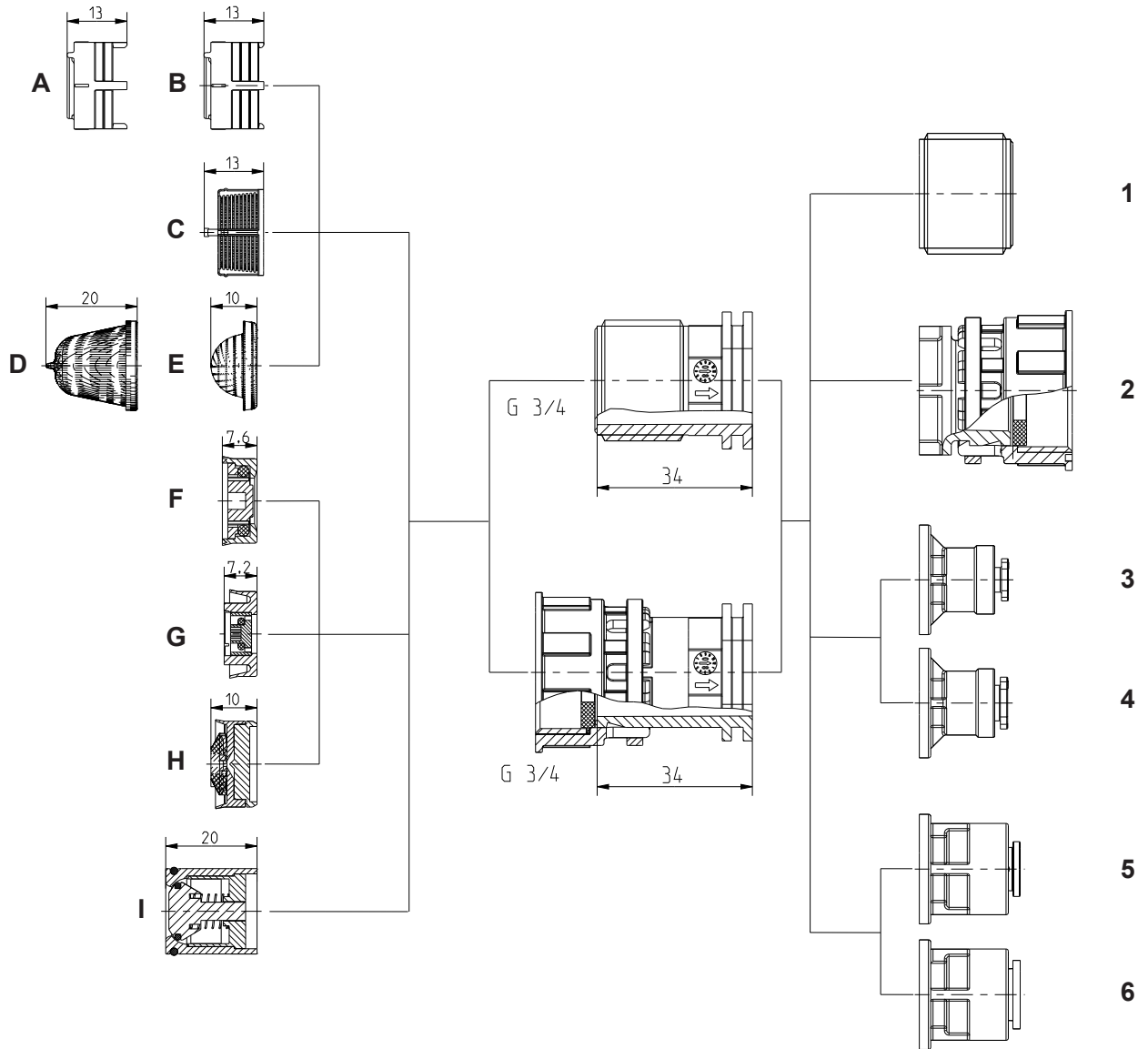
Replacing the filter stack  
⚠ Only pull  
Do not twist





**Series I2.017.800**

The housing can be varied with other components.



1	G 3/4
2	G 3/4 Swivel nut
3	FitSys 18 Push-fit Ø 4 (Typ G)
4	FitSys 18 Push-fit Ø 6 (Typ F)
5	JohnGuest Push-fit Ø 8 (Typ PM2808E)
6	JohnGuest Push-fit Ø 10 (Typ PM2810E)



# **technische import**

Nijverheidsweg 11  
7005 AS Doetinchem  
T. +31 (0) 314-344342  
E. [info@bafa.nl](mailto:info@bafa.nl)

**BAFA.NL**