



technische import

Produkt informatie

OMAL®
AUTOMATION

www.bafa.nl

HERCULES MANUALE

HERCULES MANUAL OPERATED

Valvola a sfera in acciaio carbonio per alta pressione
High pressure carbon steel ball valve



Caratteristiche generali:

Estremità filettate EN ISO 228 o NPT

Temperatura di utilizzo: -20°C +100°C con Oring in NBR
-20°C +130°C con Oring in FKM (a richiesta)

Pressione di utilizzo: PN500/7000 psi DN6, DN10, DN15
PN400/6000 psi DN20 e DN25
PN320/4500 psi DN32, DN40, DN50

Fluido intercettato: fluidi liquidi e gassosi, di qualsiasi genere purchè compatibili con i materiali costitutivi.

General features

Threaded ends EN ISO 228 or NPT

Working temperature: -20°C +100°C with NBR Oring
-20°C +130°C with FKM Oring (on request)

Working pressure: DN6, DN10, DN15 PN500/7000 psi
DN20 e DN25 PN400/6000 psi
DN32, DN40, DN50 PN320/4500 psi

Fluid range: Different fluids, liquid and gaseous, compatible with the constituent materials

Esecuzioni speciali a richiesta:

Per altre applicazioni consultare il nostro ufficio tecnico

Special execution on request

For other applications, please contact our technical department

Certificazioni

Versione PED CE1115 per misure \geq DN32

Approvals

PED CE1115 version for size \geq DN32

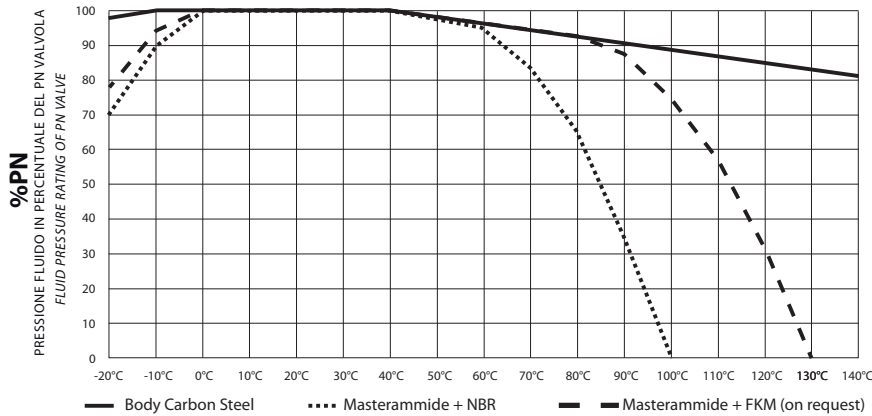
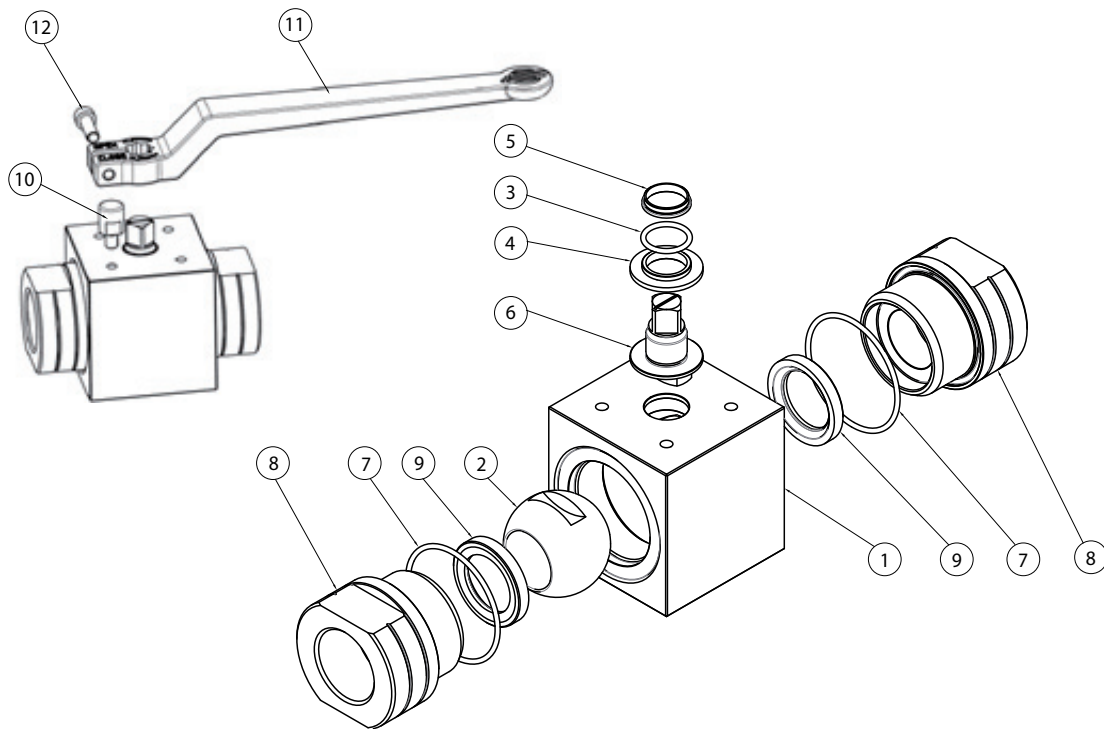


diagramma pressione/temperatura
pressure/temperature diagram

| | |
|------------------|----------------|
| DN6, DN10, DN15 | PN500/7000 psi |
| DN20 e DN25 | PN400/6000 psi |
| DN32, DN40, DN50 | PN320/4500 psi |



MATERIALI MATERIALS

| | | |
|----|-------------------------------------|--|
| 1 | Corpo <i>Body</i> | ≤DN25: 1.0737 (11SMnPb37); ≥DN32: 1.0577 (S355J2) |
| 2 | Sfera <i>Ball</i> | A217 CA15 + Hard chromium plated |
| 3 | O-ring | NBR (FKM on request) |
| 4 | Bussola inferiore <i>Lower bush</i> | MASTERAMMIDE blend di tecnopolimeri e di cariche aramidiche - <i>Blend of polymers and aramid filler</i> |
| 5 | Bussola superiore <i>Upper bush</i> | MASTERAMMIDE blend di tecnopolimeri e di cariche aramidiche - <i>Blend of polymers and aramid filler</i> |
| 6 | Stelo <i>Stem</i> | AISI630 (17-4 PH) |
| 7 | O-ring | NBR (FKM on request) |
| 8 | Manicotto <i>Ends</i> | ≤DN25: 1.0737 (11SMnPb37); ≥DN32: 1.0577 (S355J2) |
| 9 | Seggio <i>Seats</i> | MASTERAMMIDE blend di tecnopolimeri e di cariche aramidiche - <i>Blend of polymers and aramid filler</i> |
| 10 | Fermo <i>Holder screw</i> | X5CRNIM01713 - AISI316 |
| 11 | Leva <i>Lever</i> | EN AB 46100 - AL SI 11 CU (FE) |
| 12 | Vite <i>Screw</i> | A2 - 70 |

PORTATA FLOW RATE KV m³/h

| misura <i>size</i> | DN 6 1/8" | DN 8 1/4" | DN 10 3/8" | DN 15 1/2" | DN 20 3/4" | DN 25 1" | DN 32 1 1/4" | DN 40 1 1/2" | DN 50 2" |
|----------------------|--------------|--------------|---------------|---------------|---------------|-------------|-----------------|-----------------|-------------|
| KV m ³ /h | | 5,2 | 11 | 20 | 60 | 100 | 130 | 170 | 280 |

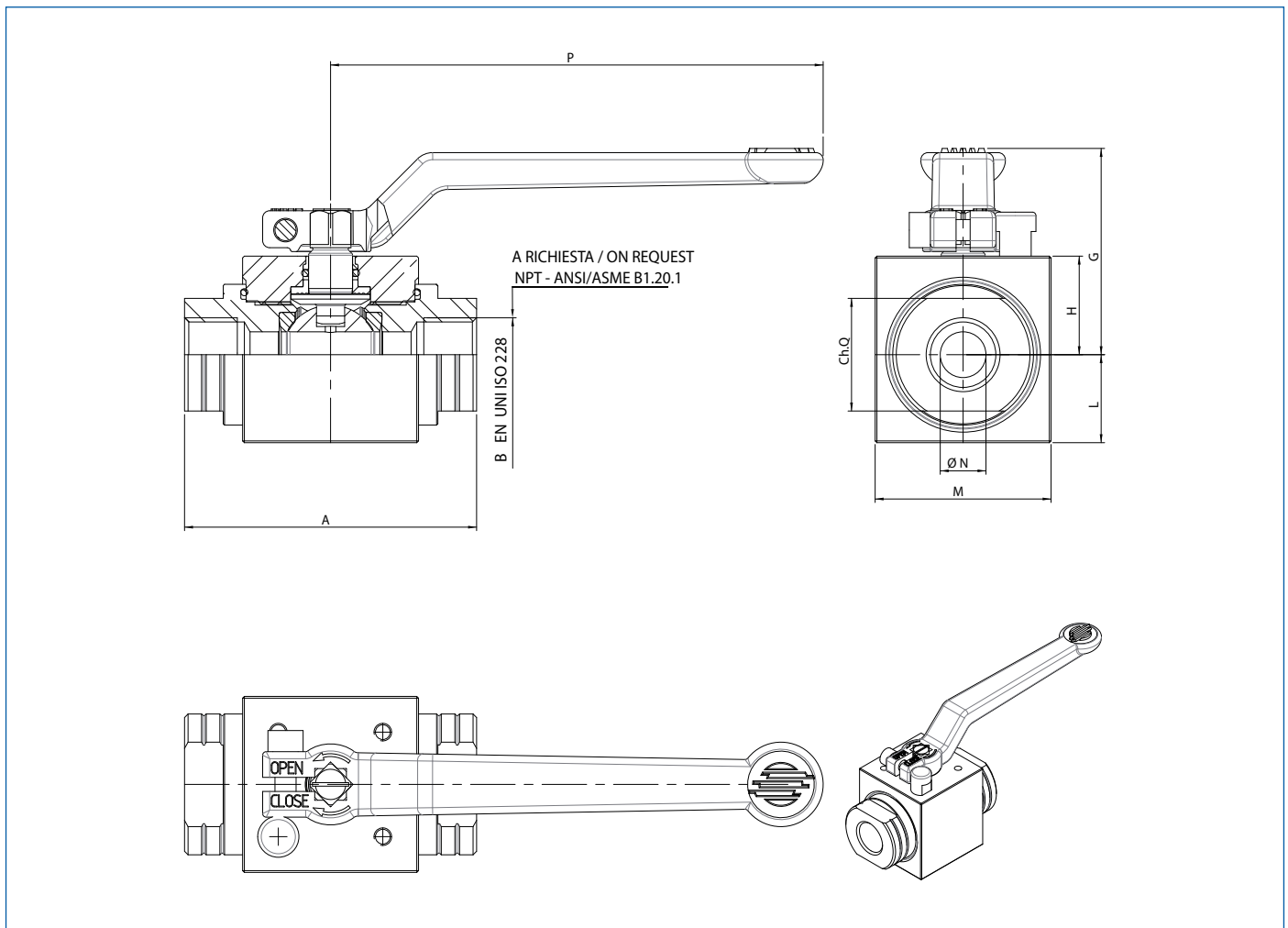
Il valore Kv è il valore indice in m³/h (con acqua a 15°C) che provoca la caduta di pressione di 1 bar
Kv is the coefficient, expressed in m³/h (with water at 15°C) causing a pressure loss of 1 bar.

CODICI VALVOLA HERCULES HERCULES VALVE CODES

| misura size | DN 6 1/8" | DN 8 1/4" | DN 10 3/8" | DN 15 1/2" | DN 20 3/4" | DN 25 1" | DN 32 1"1/4" | DN 40 1"1/2" | DN 50 2" |
|--|--------------|--------------|---------------|---------------|---------------|-------------|-----------------|-----------------|-------------|
| Con leva - vers. ISO228 with lever-ISO228 version | LHM5AAAAA01 | LHM5AAAAA02 | LHM5AAAAA03 | LHM5AAAAA04 | LHM5AAAAA05 | LHM5AAAAA06 | LHM6AAAAA07 | LHM6AAAAA08 | LHM6AAAAA09 |
| Con leva - vers. NPT with lever - NPT version | LHM5AAAAA41 | LHM5AAAAA42 | LHM5AAAAA43 | LHM5AAAAA44 | LHM5AAAAA45 | LHM5AAAAA46 | LHM6AAAAA47 | LHM6AAAAA48 | LHM6AAAAA49 |
| Kit leva Lever kit | KLVVH501 | KLVVH501 | KLVVH503 | KLVVH503 | KLVVH505 | KLVVH505 | KLVVH507 | KLVVH507 | KLVVH509 |
| peso weight Kg. | 0,31 | 0,30 | 0,68 | 1,12 | 1,45 | 2,34 | 3,13 | 5,13 | 9,22 |

A = Versione standard con O-ring in NBR. - Con O-ring in FKM a richiesta, lettera V

A = Standard line with NBR O-ring. - with FKM O-ring on request, letter V



DIMENSIONI DIMENSIONS

| Size | A | B | G | H | L | M | ØN | P | Ch.Q |
|----------------|-----|--------|-------|------|------|-----|----|-------|------|
| DN 6 - 1/8" | 69 | 1/8" | 43,1 | 17 | 13 | 30 | 6 | 103,5 | 19 |
| DN 8 - 1/4" | 69 | 1/4" | 43,1 | 17 | 13 | 30 | 6 | 103,5 | 19 |
| DN 10 - 3/8" | 72 | 3/8" | 55,8 | 25,3 | 19,7 | 45 | 9 | 140 | 24 |
| DN 15 - 1/2" | 83 | 1/2" | 58,6 | 28 | 25 | 50 | 13 | 140 | 32 |
| DN 20 - 3/4" | 95 | 3/4" | 67,3 | 31 | 27,5 | 55 | 19 | 212 | 37 |
| DN 25 - 1" | 113 | 1" | 71,3 | 35 | 32,5 | 65 | 25 | 212 | 45 |
| DN 32 - 1"1/4" | 111 | 1"1/4" | 83,6 | 42 | 38 | 80 | 32 | 315 | 55 |
| DN 40 - 1"1/2" | 130 | 1"1/2" | 87,6 | 46 | 44 | 90 | 38 | 315 | 65 |
| DN 50 - 2" | 140 | 2" | 102,7 | 61 | 59 | 120 | 51 | 315 | 80 |