



technische import

Produkt informatie

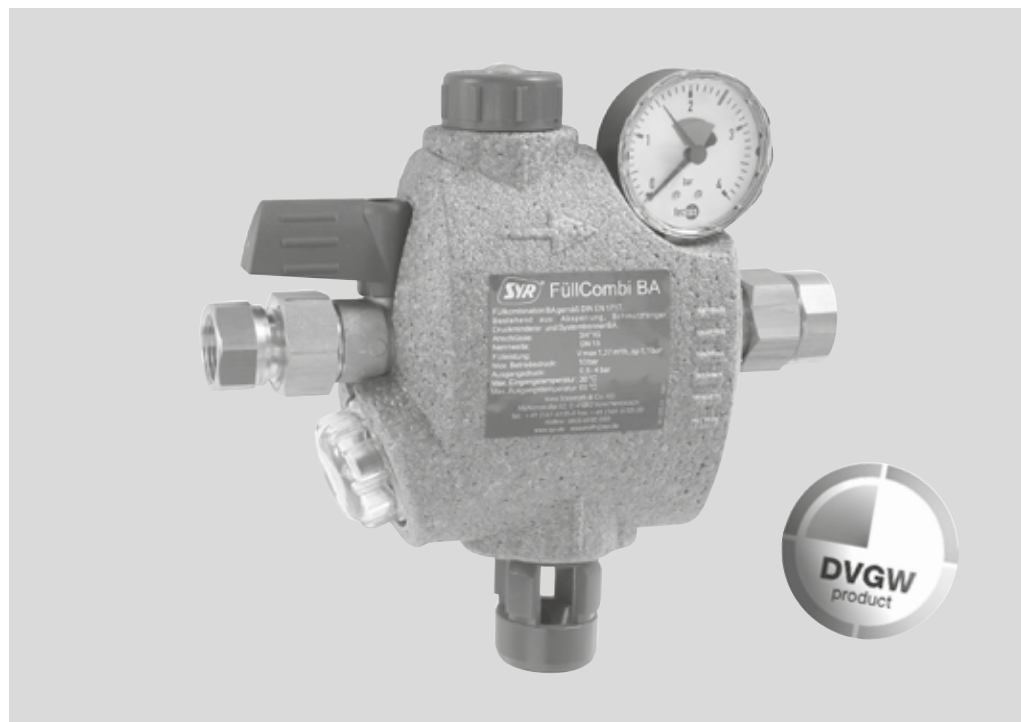


HANS SASSERATH & Co. KG

www.bafa.nl

BA-Filling-Combi 6628

with permanent connection for automatic filling of heating installations according to EN 1717



Field of application

The BA-Filling-Combi 6628 automatically fills and refills central heating installations. It is permanently connected to the potable water pipe as stipulated by EN 1717. When the supply pressure falls below the pressure of the heating installation during the filling operation, the integral BA backflow preventer prevents the backflow of heating water into the

potable water pipe. Even heating water with inhibitors (anti-corrosion products and antifreezer) can be permanently connected to the potable water system by means of the BA-Filling-Combi, which makes the laborious hose connection unnecessary. When the system is filled, the isolating valve of the BA-Filling-Combi should be closed again.

Design

The BA-Filling-Combi 6628 includes an isolating valve, a pressure reducing valve, a pressure gauge, a BA backflow preventer and a drain connection, i.e.

all the components required to fill a heating installation in conformity with European Standards.

Materials

The body is made of dezincification-resistant brass, the screw caps of high-quality glass fibre reinforced synthetic material and the rubber parts of ageing-resistant elastomer. The diaphragm is reinforced by means of polyamide. The springs are

made of corrosion protected spring steel wire, all other parts of stainless steel 1.4305 or dezincification-resistant brass. The stainless steel strainer has a mesh width of 0.25 mm.

Installation

The BA-Filling-Combi is permanently connected to the heating installation. Free access to the device must be provided permanently and it shall not be installed in locations liable to flooding or frost. The connected drain device must be able to collect the drained volume. No hose needs to be connected anymore for the filling operation. When connecting the filling device, observe EN 1717. We recommend to install a drinking water filter upstream in order

to ensure the perfect function of the valve. Thoroughly rinse the pipe prior to installation. Install the BA-Filling-Combi horizontally in the heating pipe under consideration of the direction of flow and without applying stresses. When installing the connection line, ensure that water cannot stagnate. The BA-Filling-Combi is suitable for direct connection to the flange of the SYR heating filter.

Technical data

Connection size:	DN 20
Inlet pressure:	max. 10 bar
Outlet pressure:	0.5 - 4 bar
Factory setting:	1.5 bar
Fluids:	potable water
Filling capacity:	1,35 m ³ /h at 1,5 bar Δp
Operating temperature:	max. 30 °C (inlet side) max. 65 °C (outlet side)
Mounting position:	horizontal, tundish connection downwards
DVGW number:	DW-6305BP0084
Serial number:	6628.20.000

Maintenance

The pressure reducing valve of the BA-Filling-Combi is factory-set to 1.5 bar. To adjust the pressure, loosen the safety screw in the adjustment handle. To reduce the outlet pressure, turn the adjustment handle in the direction of the minus symbol (-), to increase it, turn the adjustment handle in the direction of the plus symbol (+). The perfected design of the cartridge system allows to carry out repair

and maintenance works on the pressure reducer cartridge without having to drain the installation. EN 1717 prescribes maintenance works on the BA backflow preventer on a regular basis. The connections for ball valves available in each pressure zone allow testing the function of the valve with the corresponding accessories (service kit number 6600.00.000).

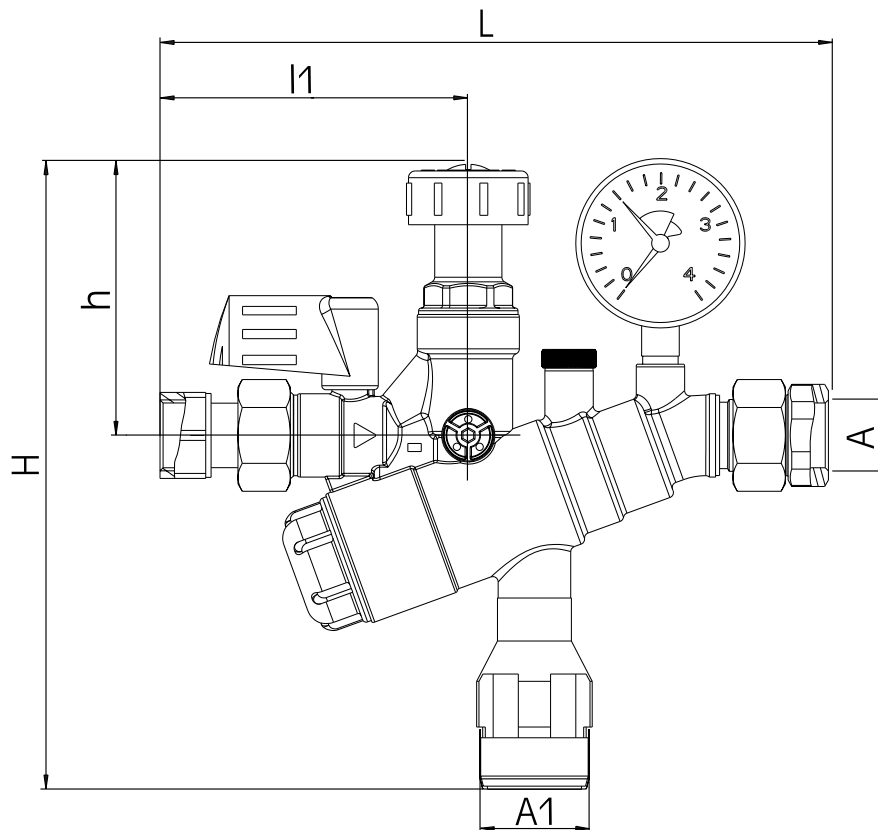


Fig.: without thermal covering

Nominal size		DN 20
	A	R 3/4"
Dimensions in mm	L (mm)	249
	H (mm)	230
	A 1	40
	h (mm)	101
	l1 (mm)	140

Accessory:

Test kit: electronic pressure measurement
device for inspection and maintenance:
Service key for BA cartridge:

6600.00.000
6600.00.908

①
Pressure reducer unit
6628.00.900

②
Pressure gauge
6628.00.901

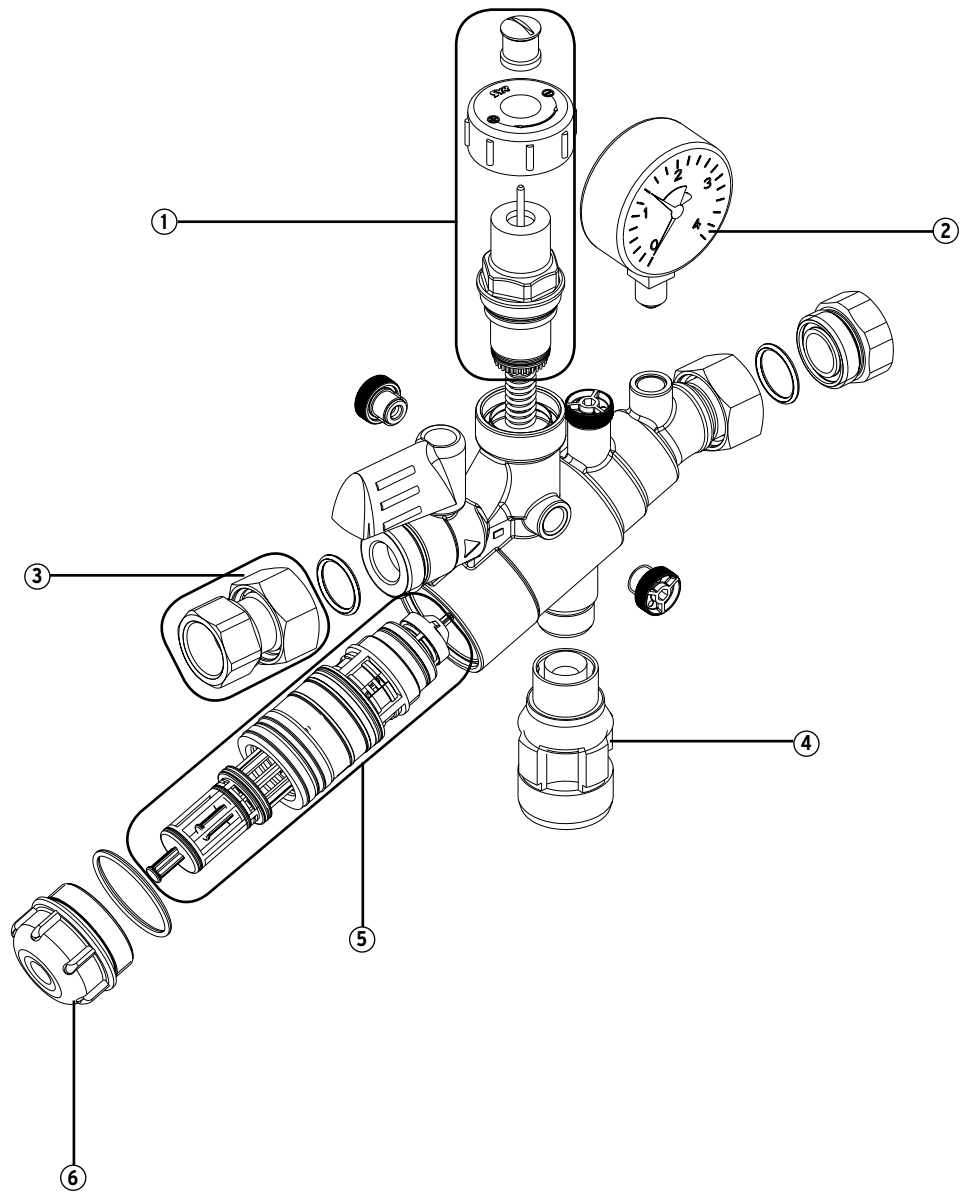
③
Union
6628.00.903

④
Tundish
6628.00.905

⑤
Cartridge
6628.00.907

⑥
Plug
6628.00.907

Accessory:
Service key for BA cartridge
6600.00.908





technische import

info@bafa.nl

0314-344342