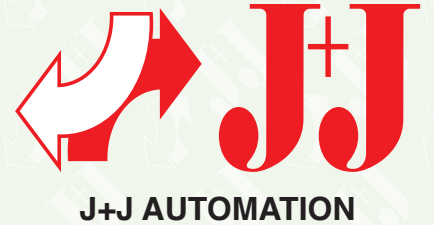




**technische import**

# Productinformatie





# Model **J2** -10



Doc: J2-10/01

Nov 2009

## Feature rich **J+J** plastic multi-voltage actuator .

Introduced in late 2009, the **J2**-10 is the first all externally plastic construction electric actuator from **J+J**.

The **J2**-10 is quick and easy to install, with ISO:5211 multi-flange mounting and a double square drive, allowing fast mounting to ISO:5211 valves.

There is no need to remove the cover to connect the **J2**-10 electrically, saving installation time.

Using the external DIN plugs and external wiring diagrams supplied with the actuator, installations can be pre-wired.

Protection against valve jams is provided by an electronic torque limiter, which auto-relaxes the gearbox when activated, allowing the manual override to be selected to assist in clearing the jam.

The effect of condensation is eliminated by an internal thermostatic anti-condensation heater that does not require a separate independent power supply.

The **J2**-10's function is power open, power close, stays put on power failure.

### Method of operation:

On receipt of a continuous power signal within the voltage range shown above, the motor runs and, via a flat gear system, rotates the output shaft. The motor is stopped by internal cams striking micro switches. On receipt of a reversing continuous signal, the motor turns in the opposite direction reversing the output drive.

#### Notes:

The power signal needs to remain on at all times to activate the thermostatic anti-condensation heater.

The volt free end of travel confirmation switches must not be used to cut the power.



The **J2**-10 is another smart red box!



### Quick guide to the **J2**'s standard features :

*Multi-voltage with auto-voltage sensing.*

**J2**-H10 110 - 240V AC or DC

**J2**-L10 24V AC or DC

*Electronic over-torque protection against valve jams*

*Thermostatic anti-condensation heater*

*Manual override for emergency hand operation*

*2 Volt free end of travel confirmation switches*

*IP65 weatherproof anti-corrosive and UV protected Polyamide housing*

*Local visual position indicator*

*ISO5211 multi-flange mounting with double square drive*

*All external electrical connections via supplied DIN plugs*

*CE marked*

*ISO 9000 EU manufacturer*

*Ideal for plastic and small bore low torque metal ball valves !*



The all new **J2** - 10

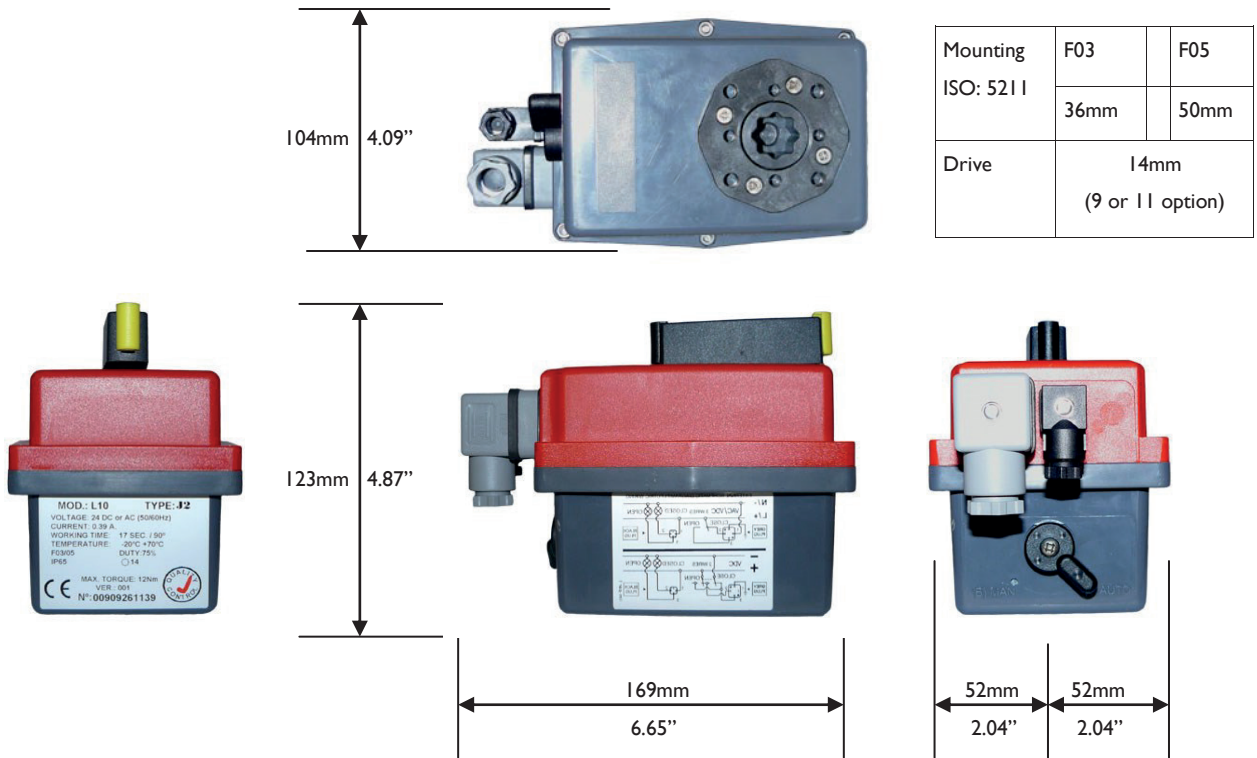
## Specifications: **J2** - 10

Voltage range - automatically sensed by actuator	<b>J2-H10</b> 110-240V AC (1ph) or DC
	<b>J2-L10</b> 24V AC (1ph) or DC
Operating time (0-90° no load) <b>J2-H10</b> & <b>J2-L10</b>	17 seconds
Maximum break torque	12 Nm 106 in.lbs
Maximum operating torque (run/ reseat)	10 Nm 88 in.lbs
Duty rating	75%
IP Rating (IEC 60529)	IP65
Working angle Standard (on request)	90° (180° or 270° options)
Mounting ISO:5211 x DIN 3337	F03 & F05 x 14
Motor switches	2 x SPDT micro switches
End of travel confirmation (volt free)	2 x SPDT micro switches
Heater	4 W
Ambient temperature range	-20° to +70°C / -4 to +158°F
Electrical connecting plugs	DIN 43650/ ISO4400 & C192
 Consumption:	
110/ 220V AC/1ph or DC	Max 0.27 A
24V AC (1ph) or DC	Max 0.39 A
Weight	0.9 kg

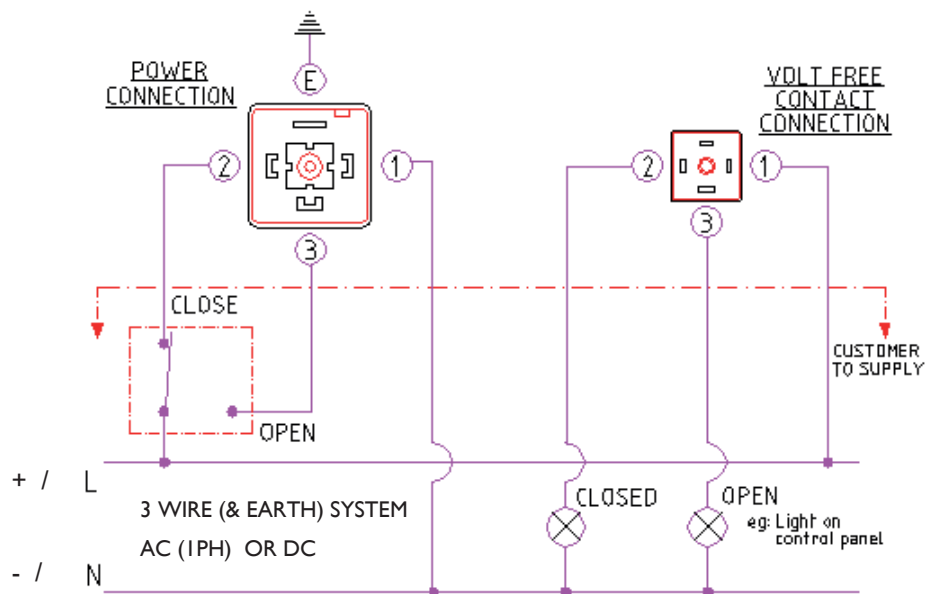
## Materials of construction:

Housing	Anti-corrosive Polyamide
Fasteners	Stainless steel
Gears	Polyamide
Shaft (Internal)	Stainless steel
Output drive	Polyamide
Position indicator	Glass filled Polyamide

## Dimensions: **J2 - 10**



## Wiring: **J2 - 10**





**technische import**